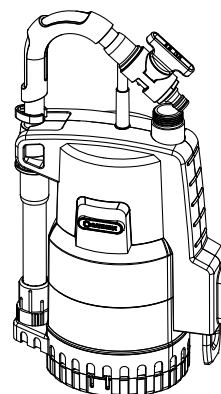


4000/2 Art. 1740



4000/2 automatic Art. 1742

**D Betriebsanleitung**  
Regenfasspumpe

**GB Operating Instructions**  
Rain Water Tank Pump

**F Mode d'emploi**  
Pompe pour collecteur d'eau de pluie

**NL Gebruiksaanwijzing**  
Regentonpomp

**S Bruksanvisning**  
Pump för Regnvattentunna

**DK Brugsanvisning**  
Regnvandspumpe

**FI Käyttöohje**  
Sadevesipumppu

**N Bruksanvisning**  
Regnvannstankpumpe

**I Istruzioni per l'uso**  
Pompa per cisterna

**E Instrucciones de empleo**  
Bomba para depósitos aguas pluviales

**P Manual de instruções**  
Bomba para depósito de água de chuva

**PL Instrukcja obsługi**  
Pompa do deszczówki

**H Használati utasítás**  
Hordóúritó szivattyú

**CZ Návod k obsluze**  
Čerpadlo do sudu

**SK Návod na obsluhu**  
Čerpadlo do suda

**GR Οδηγίες χρήσης**  
Αντλία συλλεκτών βρόχινου νερού

**RUS Инструкция по эксплуатации**  
Инструкция по эксплуатации

**SLO Navodilo za uporabo**  
Potopna črpalka za deževnico

**HR Upute za uporabu**  
Pumpa za spremnike kišnice

**SRB Uputstvo za rad**  
Pumpa za rezervoare kišnice

**UA Інструкція з експлуатації**  
Насос для резервуарів з дощовою водою

**RO Instrucțiuni de utilizare**  
Pompă pentru rezervor apă de ploaie

**TR Kullanma Kılavuzu**  
Yağmur Suyu Tankı Pompası

**BG Инструкция за експлоатация**  
Помпа за дъждовна вода

**AL Manual përdorimi**  
Pompë fuçie për ujën e shiut

**EST Kasutusjuhend**  
Vihmaveemahutipump

**LT Eksploatavimo instrukcija**  
Lietaus vandens talpyklų siurblys

**LV Lietošanas instrukcija**  
Lietus ūdens tvertnes sūknis

# GARDENA Rain Water Tank Pump

## 4000/2 / 4000/2 automatic

GB



### Translation of the original German operating instructions.

Please read the operating instructions carefully and observe the notes given. Use these operating instructions to familiarise yourself with the product, the proper use and the safety instructions.



For safety reasons, children and young people under the age of 16, as well as people not familiar with these operating instructions, may not use this product. Persons with reduced physical or mental abilities may use the product only if they are supervised or instructed by a responsible person.

→ Keep these operating instructions in a safe place.

### Contents:

1. Area of application of your GARDENA Rain Water Tank Pump . . . . .	9
2. Safety Instructions . . . . .	9
3. Assembly . . . . .	10
4. Initial Operation . . . . .	10
5. Putting into Storage . . . . .	13
6. Maintenance . . . . .	13
7. Trouble-Shooting . . . . .	14
8. Technical Data . . . . .	15
9. Service/Warranty . . . . .	15

## 1. Area of application of your GARDENA Rain Water Tank Pump

### Purpose:

The GARDENA Rain Water Tank Pump is particularly suited for retrieving rainwater from rain water tanks, e.g. the GARDENA Rain Water Tank, and for watering with a sprinkler.

The pump is completely submersible (watertight encapsulation) and is submerged in the water (to a max. depth of 7m).

### Please note:



**The pump should not be used for the delivery of salt water, muddy water, corrosive, easily inflammable or explosive liquids (e.g. petrol, paraffin, thinners), oil, heating oil or food-stuffs.**

**The water temperature should not exceed 35 °C.**

## 2. Safety Instructions

### Electrical Safety

In accordance with VDE 0100, the pump may only be operated in non-accessible containers and only via a fault current circuit breaker with a rated leakage current  $\leq 30$  mA (DIN VDE 0100-702 and 0100-738, AS/NZS 3000).

→ Please consult a specialised electrical dealer.

Mains power cables should not have a smaller cross-section than a rubber-sheathed cable of the designation H05 RNF.

The cable length must be min. 10m.

Only use extension cables authorised in accordance with HD 516.

Mains plug and extension connections must be protected from water splashes.

Ensure that the electrical connections for plugs and sockets are made in areas safe from flooding.

Protect the mains plug and the mains power cable from heat, oil and sharp edges.

Observe the mains voltage. The information on the nameplate must be in agreement with the data for the mains power grid.

The pump's mains plug must be disconnected before anybody enters the swimming pool.

Do not interrupt the mains supply by unplugging at the power extension cable. Disconnect at the outlet socket.

The mains power cable must not be used for fastening or transporting the pump. Submersion and withdrawal of the pump should be by means of the telescopic pipe. Alternatively, a cord can be secured on the telescopic pipe for submersing, lifting and securing of the Rain Water Tank Pump.

#### Visual check

Please regularly check the connecting line. If the connecting line of this appliance is damaged, it has to be replaced by the manufacturer or the manufacturer's aftersales service or a similarly qualified person to prevent any hazards.

Before using, always subject the pump (especially the power cables and the power connections) to a visual inspection.

A pump which is damaged should not be used. In the event of damage, have the pump checked by GARDENA Service.

#### Safety Instructions

Observe the minimum water level in accordance with the characteristics given for the pump.

**Only Art. No. 1740:** Allow the pump to run no longer than one hour against a closed pressure side.

#### Thermal overload protection switch

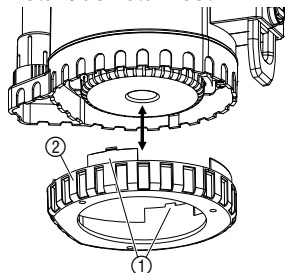
If overloaded, the built-in thermal protection for the motor will switch the pump off. After cooling down, the pump will start again automatically (see 7. Trouble-Shooting).

#### Automatic ventilation

The Rain Water Tank Pump is fitted with a venting outlet. The function of this venting outlet is to force out any air which may be present inside the pump. Small amounts of water flow out of the gap between the threaded connection and the housing; if the water level drops further down, water also flows out the lower part of the housing. This is no defect but occurs due to venting purposes.

## 3. Assembly

#### Install / deinstall foot:



When the pump is to be used for draining for a flat container, and is therefore placed on the ground, the foot can be assembled so that the pump suctions less dirt. On delivery, the foot is already assembled.

#### Install foot:

→ From below, place the foot ② on the pump until the two locks ① click into place.

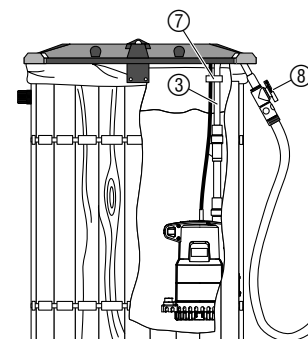
#### Deinstall foot:

→ Press the two locks ① and pull the foot ② from the pump.

## 4. Initial Operation

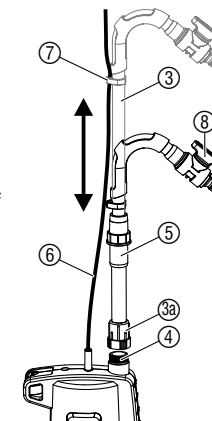
The telescopic pipe ③ is placed on the side of the pump in the transport position. The telescopic pipe is fitted with a GARDENA Regulator Valve. We recommend the use of a GARDENA Standard Hose Connector: **Art. No. 2015/2915** for 13mm (1/2") and **Art. No. 2016/2916** for 16mm (5/8") and 19mm (3/4") respectively, for connecting a garden hose. With the use of 19-mm-(3/4")-hose line, the pumping quantity is the greatest.

#### Pumping water from containers:



The length of the telescopic pipe ③ should be adjusted in such a manner that the pump does not touch the bottom of the container; this way, dirt in the container is kept away from the pump.

1. Pull telescopic pipe ③ from the side of the pump and screw onto the pump connector ④. Ensure that the washer lies in the mating thread ③a of the telescopic pipe ③.
2. Loosen threaded collars ⑤ of the telescopic pipe ③.
3. Adjust telescopic pipe ③ to the height of the container.  
*The telescopic pipe can be adjusted between 73 – 91cm.*
4. Turn threaded collars ⑤ until they hold firmly again.
5. Attach mains cable ⑥ with the attachment clip ⑦ on the telescopic pipe ③.
6. Hang pump with telescopic pipe ③ into the container.
7. Insert the power plug.  
**ATTENTION!** *The pump begins operating immediately.*

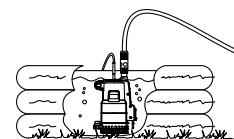


**The shut-off valve ⑧ in an operating pump takes on the function of a water tap. With an open system (Micro-Drip-System, Sprinklers), the hose may not be placed deeper than the container as otherwise the water flows through the pump from the container even when the pump is switched off.**

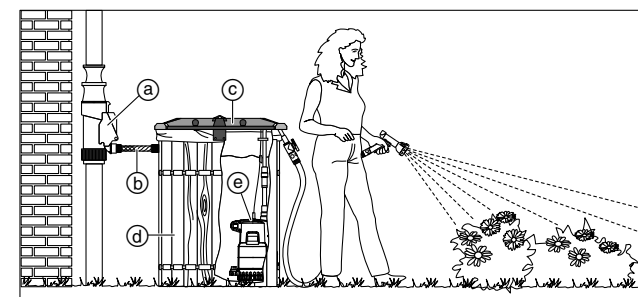
#### Complete solution:

- ① GARDENA Rain Water Collection Filter  
**Art. No. 3820/3821**
- ② GARDENA Connecting Set  
**Art. No. 3815**
- ③ GARDENA Cover for Rain Water Tank  
**Art. No. 3801/3805**
- ④ GARDENA Rain Water Tank  
**Art. No. 3800/3804**
- ⑤ GARDENA Rain Water Tank Pump  
**Art. No. 1740/1742**

#### Use in shallow vessels:



#### Use in deep containers:



If the Rain Water Tank Pump is used in a shallow vessel, e.g. to empty an inflatable children's pool, the telescopic pipe can be removed and replaced by the GARDENA Threaded Tap Connector 26.5mm (G 3/4) – **Art. No. 2901/2801**. The hose connection 13mm (1/2"), 16mm (5/8") or 19mm (3/4") is made using the Original GARDENA System or GARDENA Profi "Maxi-Flow" System threaded hose connectors.

For deeper containers (up to max. 7m), the pump can no longer be hung on the telescopic pipe. The pump must then be attached through a cord connected to the telescopic pipe and submersed into the container.

### Operation of a Micro-Drip-System:

The operation of a Micro-Drip-System is possible. Here, the maximum values stated in the accompanying manual of the Master Unit 2000 are reduced. With **Art. No. 1742**, at least 90 l/h must be taken as otherwise the leakage protection is activated.

#### 4000/2 (Art. No. 1740):

**So that the pump automatically switches off when there is no liquid to pump, the Float Switch ⑨ must be able to freely move on the surface of the water.**

#### Switch-off height:

If the water level (with the foot fitted) drops below the cut-out level (approx. 25cm), the float switch ⑨ automatically switches off the pump (Dry-Running Safety).

#### Switch-on height:

When the water level has risen over the cut-in height (approx. 57cm), the Float Switch ⑨ automatically switches the pump on.

#### 4000/2 automatic (Art. No. 1742):

The pump automatically switches off as soon as no more water is retrieved. Due to the non-return valve, the pressure is maintained in the hose until water is drawn via the hose. When water is drawn via the hose (the pressure in the hose falls below 1.3 bar), the pump switches on automatically.

#### Automatic mode:

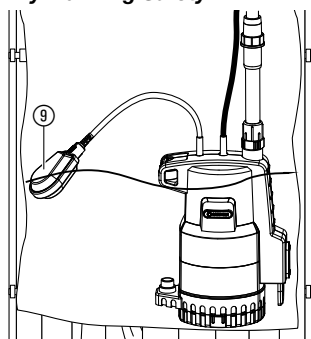
#### Dry-Running Safety:

When there is no liquid to pump, the pump automatically switches off. The pump then switches in the cycle on 30 sec. – 5 sec. off (4 x). In 1 hr., 5 hrs., 24 hrs., 24 hrs.... this cycle is repeated. As soon as the pump stands in at least 4.5 cm water, the pump is ready for operation again.

#### Leakage protection:

If there is leakage on the pressure side (e.g. a leaking pressure hose or connecting device), the pump automatically switches on and off in short intervals. When the pump switches on and off more frequently than 7 x in 2 min. (with a leakage less than 3 l/h), the pump switches completely off. When the leakage on the pressure side is eliminated, the pump must be unplugged and plugged in again in order to be operational again.

#### Dry-Running Safety:



## 5. Putting into Storage

### Storage:



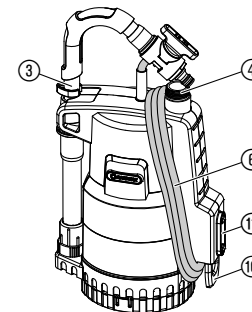
**The storage location must not be accessible to children.**

→ Store the pump away from frost before the first frost sets in.

### Transport position:

1. Unscrew telescopic pipe ③ and attach to the side of pump. Here, ensure that the nose ① is slid into the slot ②.
2. Wind mains cable ⑥ around the cable holder ⑩ and the pump connector ④.

In the transport position, the pump can be carried by the telescopic pipe ③. For easier winding of the mains cable ⑥, push up the slide bar ⑪ of the cable holder ⑩.



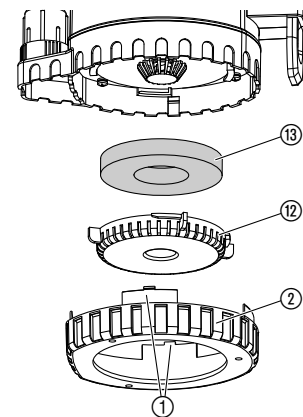
**Disposal:**  
(in accordance with  
RL2002/96/EC)



The product must not be added to normal household waste. It must be disposed of in line with local environmental regulations.

## 6. Maintenance

### Clean filter:



**DANGER! Electric shock!**

**There is a risk of injury from electric shocks.**

→ **Before maintenance, unplug the Rain Water Tank Pump from the mains.**

After pumping dirty water, the filter should be cleaned.

1. Press the two locks ① and remove the foot ② from the pump.
2. Turning suction foot ⑫ 1/4 to the left and remove (bayonet lock).
3. Remove ⑬ filter and clean under running water.
4. Re-install ⑬ filter in the opposite sequence.

## 7. Trouble-Shooting



### DANGER! Electric shock!

There is a risk of injury from electric shocks.

→ Before correcting functional problems unplug the Rain Water Tank Pump from the mains.

Problem	Possible Cause	Remedy
<b>Pump is running, but doesn't deliver</b>	Air cannot escape, because the pressure line is closed. (Possible kink in the pressure hose.)	→ Open the pressure line (e. g. shut-off valve, delivery units).
	Air in suction foot.	→ Wait for about max. 60 seconds until the pump has vented; if necessary, turn off and then on again.
	Foot/Suction foot/Filter is clogged.	→ Unplug at the mains and clean filter (see <b>6. Maintenance</b> ).
	Water level below minimum water level when put into operation.	→ Submerge the pump deeper.
<b>Pump does not start, or stops suddenly during operation</b>	Thermal switch has turned the pump off because of overheating.	→ Unplug at the mains and clean filter (see <b>6. Maintenance</b> ). Observe max. media temperature (35 °C).
	Pumping without electricity.	→ Check fuses and electrical plug connections.
<b>Pump is running but the delivery drops suddenly</b>	Foot/Suction foot/Filter is clogged.	→ Unplug at the mains and clean filter (see <b>6. Maintenance</b> ).
<b>Only with 1742: Pump irregularly switches on and off</b>	Leakage protection activated due to leaking.	→ Check hose and dispensing device and remove leakage.



For any other malfunctions please contact the GARDENA service department. Repairs must only be carried out by GARDENA service departments or specialist dealers authorised by GARDENA.

## 8. Technical Data

Art. No.	1740 (4000/2)	1742 (4000/2 automatic)
Rated power	500 W	500 W
Max. delivery capacity	4.000 l/h	4.000 l/h
Max. pressure/ Max. delivery head	2,0 bar / 20m	2,0 bar / 20m
Max. submersion depth	7m	7m
Cut-in height/Cut-out height	57cm / 25cm	–
Switch-on pressure	–	approx. 1,3 bar
Minimum water depth for operation	approx. 4,5cm	approx. 4,5cm
Power cable	10m H05 RNF	10m H05 RNF
Weight without cable	approx. 4,8 kg	approx. 5,0 kg
Max. media temperature	35 °C	35 °C
Mains voltage/ mains frequency	220 – 240 V AC / 50 Hz	220 – 240 V AC / 50 Hz

## 9. Service / Warranty

### Warranty:

GARDENA guarantees this product for 2 years (from date of purchase). This guarantee covers all serious defects of the unit that can be proved to be material or manufacturing faults. Under warranty we will either replace the unit or repair it free of charge if the following conditions apply:

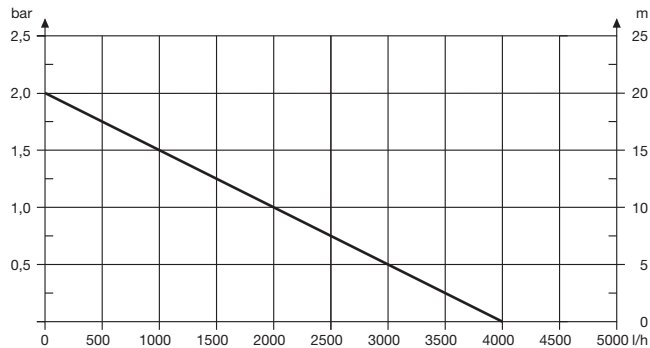
- The unit must have been handled properly and in keeping with the requirements of the operating instructions.
- Neither the purchaser or a non-authorized third party have attempted to repair the unit.

The wear parts impeller and filter are excluded from the warranty.

This manufacturer's guarantee does not affect the user's existing warranty claims against the dealer/seller.

If you have any problems with this product, please contact our Service or return the defective unit together with a short description of the problem – in case of guarantee, with a copy of the receipt – postage paid to one of the GARDENA Service Centres listed on the back of this leaflet.

**Pumpen-Kennlinien**  
**Performance characteristics**  
**Courbes de performance**  
**Prestatiegrafiek**  
**Kapacitetskurva**  
**Ydelses karakteristika**  
**Pumpun ominaiskäyrä**  
**Pumpekarakteristikk**  
**Curva di rendimento**  
**Curva característica de la bomba**  
**Características de performance**  
**Charakterystyka pompy**  
**Szivattyú-jelleggörbe**  
**Charakteristika čerpadla**  
**Charakteristiky čerpadla**  
**Χαρακτηριστικό διάγραμμα**  
**Характеристика насоса**  
**Karakteristika črpalka**  
**Obilježja pumpe**  
**Karakteristika pumpe**  
**Крива характеристики насоса**  
**Caracteristică pompă**  
**Pompa karakter eğrisi**  
**Помпена характеристика**  
**Fuqia e pompës**  
**Pumba karakteristik**  
**Siurblio charakteristinė kreivė**  
**Sūkna raksturlīkne**



**D Produkthaftung**

Wir weisen ausdrücklich darauf hin, dass wir nach dem Produkthaftungsgesetz nicht für durch unsere Geräte hervorgerufene Schäden einzustehen haben, sofern diese durch unsachgemäße Reparatur verursacht oder bei einem Teileaustausch nicht unsere originale GARDENA Teile oder von uns freigegebene Teile verwendet wurden und die Reparatur nicht vom GARDENA Service oder dem autorisierten Fachmann durchgeführt wird. Entsprechendes gilt für Ergänzungssteile und Zubehör.

**GB Product Liability**

We expressly point out that, in accordance with the product liability law, we are not liable for any damage caused by our units if it is due to improper repair or if parts exchanged are not original GARDENA parts or parts approved by us, and, if the repairs were not carried out by a GARDENA Service Centre or an authorised specialist. The same applies to spare parts and accessories.

**F Responsabilité**

Nous vous signalons expressément que GARDENA n'est pas responsable des dommages causés par ses appareils, dans la mesure où ces dommages seraient causés suite à une réparation non conforme, dans la mesure où, lors d'un échange de pièces, les pièces d'origine GARDENA n'auraient pas été utilisées, ou si la réparation n'a pas été effectuée par le Service Après-Vente GARDENA ou l'un des Centres SAV agréés GARDENA. Ceci est également valable pour tout ajout de pièces et d'accessoires autres que ceux préconisés par GARDENA.

**NL Productaansprakelijkheid**

Wij wijzen er nadrukkelijk op, dat wij op grond van de wet aansprakelijkheid voor producten niet aansprakelijk zijn voor schade ontstaan door onze apparaten, indien deze door onvakkundige reparatie veroorzaakt zijn, of er bij het uitwisselen van onderdelen geen gebruik gemaakt werd van onze originele GARDENA onderdelen of door ons vrijgegeven onderdelen en de reparatie niet door de GARDENA technische dienst of de bevoegde vakman uitgevoerd werd. Ditzelfde geldt voor extra-onderdelen en accessoires.

**S Produktansvar**

Tillverkaren är inte ansvarig för skada som orsakats av produkten om skadan beror på att produkten har reparerats felaktigt eller om, vid reparation eller utbyte, andra än Original GARDENA reservdelar har använts. Samma sak gäller för kompletteringsdelar och tillbehör.

**DK Produktansvar**

Vi gør udtrykkeligt opmærksom på, at vi i henhold til produktansvarsloven ikke er ansvarlige for skader forårsaget af vores udstyr, såfremt det sker på grund af uautoriserede reparationer eller hvis dele er skiftet ud og der ikke er anvendt originale GARDENA dele eller dele godkendt af os, eller hvis reparationerne ikke er udført af GARDENA-service eller en autoriseret fagmand. Det samme gælder for ekstra udstyr og tilbehør.

**FI Tuotevastuu**

Korostamme nimenomaan, että tuotevastuulain nojalla emme ole vastuussa laitteistamme johtuneista vahingoista, mikäli nämä ovat aiheutuneet epäasianmukaisesta korjauksesta tai osia vaihdettaessa ei ole käytetty alkuperäisiä GARDENA-varaosia tai hyväksymiämme osia ja korjauksen on suorittanut muu kuin GARDENA-huoltokeskus tai valtuuttamamme ammattihenkilö. Tämä pätee myös lisäosiin ja lisävarusteisiin.

**I Responsabilità del prodotto**

Si rende espressamente noto che, conformemente alla legislazione sulla responsabilità del prodotto, non si risponde di danni causati da nostri articoli se originati da riparazioni eseguite non correttamente o da sostituzioni di parti effettuate con materiale non originale GARDENA o comunque da noi non approvato e, in ogni caso, qualora l'intervento non venga eseguito da un centro assistenza GARDENA o da personale specializzato autorizzato. Lo stesso vale per le parti complementari e gli accessori.

**E Responsabilidad de productos**

Advertimos que conforme a la ley de responsabilidad de productos no nos responsabilizamos de daños causados por nuestros aparatos, siempre y cuando dichos daños hayan sido originados por arreglos o reparaciones indebidas, por recambios con piezas que no sean piezas originales GARDENA o bien piezas no autorizadas por nosotros, así como en aquellos casos en que la reparación no haya sido efectuada por un Servicio Técnico GARDENA o por un técnico autorizado. Lo mismo es aplicable para las piezas complementarias y accesorios.

**P Responsabilidade sobre o produto**

Queremos salientar que segundo a lei da responsabilidade do fabricante, nós não nos responsabilizaremos por danos causados pelo nosso equipamento, quando estes ocorrerem em decorrência de reparações inadequadas ou da substituição de peças por peças não originais da GARDENA, ou peças não autorizadas. A responsabilidade tornar-se-à nula também depois de reparações realizadas por oficinas não autorizadas pela GARDENA. Esta restrição valerá também para peças adicionais e acessórios.

<p><b>PL Odpowiedzialność za produkt</b> Informujemy, że zgodnie z ustawą o odpowiedzialności cywilnej za szkody powstałe w związku z wadliwością towaru nie ponosimy odpowiedzialności za szkody powstałe w wyniku użytkowania naszych urządzeń, o ile spowodowane zostały niewłaściwą naprawą lub przy wymianie elementów nie zostały zastosowane nasze części oryginalne firmy GARDENA, a naprawa nie została wykonana przez serwis firmy GARDENA lub przez autoryzowanego przedstawiciela. Taka sama zasada dotyczy części uzupełnianych i akcesoriów.</p>
<p><b>H Termékszavatosság</b> Nyomatékosan utalunk arra a tényre, hogy a termékszavatossági törvény szerinti nem kell jótállást vállalnunk azokra a károkra, amelyekket nem a mi készülékeink okoztak, ha ezeket szakszerűtlen javítás okozta vagy egy alkatrész kicserélésénél nem a mi eredeti GARDENA alkatrészeket vagy általunk engedélyezett alkatrészeket használták fel és a javítást nem a GARDENA szerviz vagy egy erre felhatalmazott szakember végezte. Hasonlóképpen érvényes ez a kiegészítő alkatrészekre és tartozékokra is.</p>
<p><b>CZ Odpovědnost za výrobek</b> Výslovně upozorňujeme na to, že podle zákona o odpovědnosti za výrobek neneseme odpovědnost za škody způsobené našimi přístroji, pokud byly způsobeny neodbornou opravou nebo použitím jiných než našich originálních náhradních dílů GARDENA nebo námi schválených dílů a neprovedením opravy servisem GARDENA nebo autorizovaným odborníkem. Odpovídající platí i pro doplňkové díly a příslušenství.</p>
<p><b>SK Predmet záruky</b> Upozorňujeme dôrazne na to, že podľa zákona o poskytovaní záruk nezodpovedáme za škody spôsobené našimi výrobkami, v prípade, že boli boli vyvolané neodbornými opravami, výmenou dielcov, ktoré nepatria k originálnym dielom GARDENA alebo neboli nami schválené a rovnako boli spôsobené servisnými zásahmi, ktoré neboli vykonané servisom GARDENA alebo autorizovaným odborníkom. Rovnako to platí pre doplnky a príslušenstvo.</p>
<p><b>GR Ευθύνη για το προϊόν</b> Σας υπενθυμίζουμε ρητά, ότι σύμφωνα με το νόμο περί ευθύνης για τα προϊόντα δεν ευθυνόμαστε για ενδεχόμενες βλάβες που προκαλούνται από τις συσκευές μας, εφόσον οφείλονται σε μία ακατάλληλη επισκευή ή σε μία αντικατάσταση τμημάτων για την οποία δεν έχουν χρησιμοποιηθεί τα πρωτότυπα ανταλλακτικά της GARDENA ή τα από μας εγκατεστημένα ανταλλακτικά και σε περίπτωση που δεν εκτελείται η επισκευή από το Τμήμα Εξυπηρέτησης Πελατών της GARDENA ή από έναν εξουσιοδοτημένο εξειδικευμένο τεχνίτη. Το ίδιο ισχύει για εξαρτήματα και συμπληρωματικά τμήματα.</p>
<p><b>SLO Jamstvo za izdelek</b> Pismo no poudarjamo, da po zakonu jamstva za izdelek nismo odgovorni za škodo, ki bi nastala zaradi uporabe našega izdelka, prav tako tudi ne za škodo ki bi nastala zaradi nepravilnega popravila izdelka ali pri napačni zamenjavi delov, ki niso originalni deli GARDENA ali pri uporabi z naše strani potrjenih delov, ki pa niso bili vgrajeni v servisu GARDENA ali v naši pooblašteni servisni službi. Enako velja tudi za nadomestne dele in opremo.</p>
<p><b>RO Responsabilitatea legala a produsului</b> Menționăm în mod expres ca, în concordanță cu responsabilitatea legala a produsului, nu suntem răspunzători de nici un accident provocat de produsele noastre dacă se datorează reparării necorespunzătoare sau dacă piesele de schimb nu sunt originale GARDENA sau aprobate de GARDENA, sau dacă reparațiile nu au fost efectuate de un Centru de Service GARDENA sau un specialist autorizat. Aceleași prevederi se aplică și pieselor de schimb și accesoriilor.</p>
<p><b>BG Отговорност за качество</b> Изрично подчертаваме, че съгласно закона за отговорност за качество, ние не носим отговорност за вредите причинени от нашите уреди, ако същите са причинени от неправилен ремонт или при подмяната на части не са използвани оригинални части на GARDENA или части одобрени от нас и ремонта не е извършен от сервис на GARDENA или оторизиран специалист. Същото важи за допълнителните части и принадлежностите.</p>
<p><b>EST Tootevastutus</b> Juhime teie tähelepanu sellele, et tootevastutusseaduse kohaselt ei vastuta me meie seadmete poolt põhjustatud kahjude eest, kui need on tekkinud asjatundmatu paranduse tagajärjel või kui detaili vahetamiseks ei kasutatud GARDENA originaalvaruosi ega meie poolt kasutatada lubatud varuosi ja kui parandustööd ei ole teinud GARDENA klienditeenindusspetsialistid ega meie volitatud spetsialistid. Sama kehtib lisadetailide ja tarvikute kohta.</p>
<p><b>LT Atsakomybė už produkciją</b> Nurodome, kad remdamiės Atsakomybės už produkciją įstatymu, neatsakome už nuostolius, sukeltus mūsų prietaisų, jei jie atsirado dėl netinkamo remonto, arba, jei keičiant dalis, buvo naudojamos neoriginalios GARDENA dalys arba dalys, kurių mes neleidome naudoti, o remontą atliko ne GARDENA servisas arba neįgaliotasis specialistas. Tas pats galioja papildomoms dalims ir priedams.</p>
<p><b>LV Produkta atbildība</b> Mēs skaidri norādām uz to, ka saskaņā ar Produktu atbildības likumu, mēs neatbildam par mūsu iekārtu radītiem zaudējumiem, ciktāl tos ir izraisījis neatbilstošs remonts vai daļu nomaļņa ar neoriģinālām GARDENA daļām vai ne ar mūsu norādītajām detaļām un remontu nav veicis GARDENA serviss vai pilnvarots speciālists. Tas pats attiecas uz papildinošajām daļām un piederumiem.</p>

<p><b>D EG-Konformitätserklärung</b> Der Unterzeichnete Husqvarna AB, 561 82 Huskvarna, Sweden bestätigt, dass die nachfolgend bezeichneten Geräte in der von uns in Verkehr gebrachten Ausführung die Anforderungen der harmonisierten EU-Richtlinien, EU-Sicherheitsstandards und produktspezifischen Standards erfüllen. Bei einer nicht mit uns abgestimmten Änderung der Geräte verliert diese Erklärung ihre Gültigkeit.</p>
<p><b>GB EU Declaration of Conformity</b> The undersigned Husqvarna AB, 561 82 Huskvarna, Sweden hereby certifies that, when leaving our factory, the units indicated below are in accordance with the harmonised EU guidelines, EU standards of safety and product specific standards. This certificate becomes void if the units are modified without our approval.</p>
<p><b>F Certificat de conformité aux directives européennes</b> Le constructeur, soussigné : Husqvarna AB, 561 82 Huskvarna, Sweden déclare qu'à la sortie de ses usines le matériel neuf désigné ci-dessous était conforme aux prescriptions des directives européennes énoncées ci-après et conforme aux règles de sécurité et autres règles qui lui sont applicables dans le cadre de l'Union européenne. Toute modification portée sur ce produit sans l'accord express de GARDENA supprime la validité de ce certificat.</p>
<p><b>NL EU-overeenstemmingsverklaring</b> Ondergetekende Husqvarna AB, 561 82 Huskvarna, Sweden bevestigt, dat de volgende genoemde apparaten in de door ons in de handel gebrachte uitvoering voldoen aan de eis van, en in overeenstemming zijn met de EU-richtlijnen, de EU-veiligheidsstandaard en de voor het product specifieke standaard. Bij een niet met ons afgestemde verandering aan de apparaten verliest deze verklaring haar geldigheid.</p>
<p><b>S EU Tillverkarintyg</b> Undertecknad firma Husqvarna AB, 561 82 Huskvarna, Sweden intygar härmed att nedan nämnda produkter överensstämmer med EU:s direktiv, EU:s säkerhetsstandard och produktspecifikation. Detta intyg upphör att gälla om produkten ändras utan vårt tillstånd.</p>
<p><b>DK EU Overensstemmelse certifikat</b> Undertegnede Husqvarna AB, 561 82 Huskvarna, Sweden bekræfter hermed, at enheder listet herunder, ved afsendelse fra fabrikken, er i overensstemmelse med harmoniserede EU retningslinier, EU sikkerheds standarder og produkt specifikations standarder. Dette certifikat træder ud af kraft hvis enhederne er ændret uden vor godkendelse.</p>
<p><b>FI EY-vaatimustenmukaisuusvakuutus</b> Allekirjoittanut Husqvarna AB, 561 82 Huskvarna, Sweden vakuuttaa, että allamainitut laitteet täyttävät tehtaaltamme lähtiesään yhdenmukaistettujen EY-direktiivien, EY-turvallisuusstandardien ja tuotekohtaisen standardien vaatimukset. Laitteisiin tehdyt muutokset, joista ei ole sovittu kanssamme, johtavat tämän vakuutuksen raukeamiseen.</p>
<p><b>I Dichiarazione di conformità alle norme UE</b> La sottoscritta Husqvarna AB, 561 82 Huskvarna, Sweden certifica che il prodotto qui di seguito indicato, nei modelli da noi commercializzati, è conforme alle direttive armonizzate UE nonché agli standard di sicurezza e agli standard specifici di prodotto. Qualunque modifica apportata al prodotto senza nostra specifica autorizzazione invalida la presente dichiarazione.</p>
<p><b>E Declaración de conformidad de la UE</b> El que suscribe Husqvarna AB, 561 82 Huskvarna, Sweden declara que la presente mercancía, objeto de la presente declaración, cumple con todas las normas de la UE, en lo que a normas técnicas, de homologación y de seguridad se refiere. En caso de realizar cualquier modificación en la presente mercancía sin nuestra previa autorización, esta declaración pierde su validez.</p>
<p><b>P Certificado de conformidade da UE</b> Os abaixo mencionados Husqvarna AB, 561 82 Huskvarna, Sweden Por este meio certificamos que ao sair da fábrica os aparelhos abaixo mencionados estão de acordo com as diretrizes harmonizadas da UE, padrões de segurança e de produtos específicos. Este certificado ficará nulo se as unidades forem modificadas sem a nossa aprovação.</p>

<p><b>PL Deklaracja zgodności Unii Europejskiej</b> Husqvarna AB, 561 82 Huskvarna, Sweden potwierdza, że poniżej określone urządzenia w wersji oferowanej przez nas do sprzedaży spełniają wymagania zharmonizowanych dyrektyw Unii Europejskiej, standardu bezpieczeństwa Unii Europejskiej i standardu specyficznego dla tego typu produktów. W przypadku zmiany urządzenia, która nie została z nami uzgodniona, niniejsza deklaracja traci moc obowiązywania.</p>
<p><b>H EU-Megfelelősségi nyilatkozat</b> Alulírott, a Husqvarna AB, 561 82 Huskvarna, Sweden igazolja azt, hogy az alábbiakban megnevezett készülékek, az általunk forgalomba hozott kivitelben teljesítik a harmonizációs EU-irányelvek, az EU biztonsági szabványok és a termékre jellemző szabványok követelményeit. Ha a készülékeken a mi bejegyeztésünk nélkül változtatást végezzenek, akkor ez a nyilatkozat érvényét veszti.</p>
<p><b>CZ Prohlášení o shodě EU</b> Podepsaný Husqvarna AB, 561 82 Huskvarna, Sweden potvrzuje, že dále uvedené přístroje v naší dovozu uvedeném provedení splňují požadavky harmonizovaných směrnic EU, bezpečnostních norem EU a norem specifických pro výrobek. Při naší neschválené změně přístrojů ztrácí toto prohlášení platnost.</p>
<p><b>SK EU-Vyhľadanie o zhode</b> Nižšie uvedená firma Husqvarna AB, 561 82 Huskvarna, Sweden vyhlasuje, že uvedené zariadenia, ktoré sme uviedli na trh v ich vyhotovení splňujú požiadavky harmonizovaných predpisov EU, bezpečnostných štandardov EU a výrobo-spezifických štandardov. Pri zmene zariadenia, ktorá nebola odsúhlasená výrobcom stráca toto vyhlásenie platnosť.</p>
<p><b>GR Δήλωση Συμμόρφωσης προς τις Οδηγίες της ΕΕ</b> Η υπογράφουσα Husqvarna AB, 561 82 Huskvarna, Sweden δηλώνει, ότι τα εξής αναφερόμενα εκδιδόμενα από την εταιρία μας προϊόντα ανταποκρίνονται σε όλες τις εναρμονισμένες προδιαγραφές της ΕΕ, στα πρότυπα ασφαλείας της ΕΕ και στα ειδικά για το προϊόν πρότυπα. Σε μία μη συμφωνημένη με την εταιρία μας τροποποίηση των συσκευών αυτή η δήλωση χάνει την ισχύ της.</p>
<p><b>SLO EV-izjava o skladnosti</b> Podpisani proizvajalec »Husqvarna AB, 561 82 Huskvarna, Sweden« s podpisom potrjuje, da sledeče opisana naprava, ki smo jo poslali na tržišče izpolnjuje zahteve harmoniziranih standardov ES-smernic, ES-varnostnih standardov in izdelku specifičnih standardov. V primeru spremembe na napravi brez našega pisnega dovoljenja ta izjava izgubi svoj pomen in veljavnost.</p>
<p><b>RO UE-Certificat de conformitate</b> Prin prezenta Husqvarna AB, 561 82 Huskvarna, Sweden, certifica faptul ca, in momentul in care produsele mentionate mai jos ies din fabrica sunt in concordanta cu directivele UE, standardele de siguranta UE si standardele specifice ale produsului UE. Acest certificat devine nul in cazul modificarii aparatului fara aprobarea noastra.</p>
<p><b>BG ЕС-Декларация за съответствие</b> Подписаната фирма Husqvarna AB, 561 82 Huskvarna, Sweden декларира, че описаните по-долу уреди, пуснати в продажба съгласно нашата спецификация, изпълняват изискванията на хармонизираните ЕС-директиви, ЕС-стандарти за безопасност и специфичните производствени стандарти. При промяна на уреда, която не е съгласувана с нас, тази декларация губи своята валидност.</p>
<p><b>EST ELI vastavusdeklaratsioon</b> Allkirjutanu Husqvarna AB, 561 82 Huskvarna, Sweden kinnitab, et kirjeldatud seade vastab meie poolt riigisuse viidud kujul ELi harmoniseeritud direktiividele, ELi ohutusstandarditele ja tootea seotud standarditele. Meiega kooskõlastamata muudatused tegemise korral seadmel kaotab see deklaratsioon kehtivuse.</p>
<p><b>LT ES Atitikties deklaracija</b> Pasirašanti firma Husqvarna AB, 561 82 Huskvarna, Sweden patvirtina, kad žemiau nurodyti prietaisai ir jų modeliai, kuriuos paleidome į prekybą, patenkina harmonizuotas ES direktyvas, ES saugumo standartus ir specifinius gamintojo standartus. Atlikus bet koki prietaiso pakeitimą, kuris nėra suderintas su mumis, ši deklaracija praranda galiojimą.</p>
<p><b>LV ES-atbilstības deklaracija</b> Parakstījies Husqvarna AB, 561 82 Huskvarna, Sweden, Vācija apstiprina, ka sekojoši apzīmētās iekārtas, kuras mēs izplatām, savā izpildījumā atbilst harmonizētajām ES direktīvām, ES drošības standartiem un produkta specifiskajiem standartiem. Ar mūsu nepatstiprinātām izmaiņām iekārtā šī deklarācija zaudē savu derīgumu.</p>

<p>Bezeichnung der Geräte: Description of the units: Désignation du matériel :</p> <p>Omschrijving van de apparaten: Produktbeskrivning: Beskrivelse af produktet: Laitteiden nimitys: Descrizione dei prodotti: Descripción de la mercancía:</p> <p>Descrição dos aparelhos:</p> <p>Nazwa urządzenia: A készülékek megnevezése: Označení přístrojů: Označenie zariadenia: Ονομασία της συσκευής: Opis naprave: Descrierea articolelor:</p> <p>Обозначение на уредите: Seadmete nimetus: Prietaisų pavadinimas: Iekārtu apzīmējums:</p>	<p><b>Regenfasspumpe</b> <b>Rain Water Tank Pump</b> <b>Pompe pour collecteur d'eau de pluie</b> <b>Regentonnpomp</b> <b>Pump för Regnvattentunna</b> <b>Regnvandspumpe</b> <b>Sadevesipumppu</b> <b>Pompa per cisterna</b> <b>Bomba para depósitos aguas pluviales</b> <b>Bomba para depósito de água de chuva</b> <b>Pompa do deszczówki</b> <b>Hordóúritó szivattyú</b> <b>Čerpadlo do sudu</b> <b>Čerpadlo do suda</b> <b>Αντλία συλλεκτών βρόχινου νερού</b> <b>Роторна čрpalka за дежеvниco</b> <b>Pompă pentru rezervor apă de ploaie</b> <b>Помпа за дъждовна вода</b> <b>Vihmaveemahutipump</b> <b>Lietaus vandens talpyklų siurblys</b> <b>Lietaus ūdens tvertnes sūknis</b></p>	<p>Hinterlegte Dokumentation: GARDENA-Technische Dokumentation, E. Renn 89079 Ulm</p> <p>Deposited Documentation: GARDENA Technical Documentation, E. Renn 89079 Ulm</p> <p>Dokumentation déposée: Documentation technique GARDENA, E. Renn 89079 Ulm</p>
<p>Typen:           Típusok: Types:           Típu: Types :           Típu: Type:           Típu: Typ:           Típu: Typer:           Típur: Tuypit:          Típuve: Tipi:           Típubid: Típos:          Típai: Tipos:          Tipi: Typu:           Tipi:</p>	<p>Art.-Nr.:       Cikkszám: Art. No.:       Číslo artiklu: Réfarence :    Art.: Art.nr.:       Αριθ. ειδους: Art.nr.:       Art št.: Art. nr.:       Nr art.: Tuoten:o      Αρτ. номер: Art.:          Toote nr : Art. No:       Gaminio nr.: Art. no:       Izstr.:</p> <p>Nr artykułu:</p>	<p>Anbringungsjaar der CE-Kennzeichnung: Year of CE marking: Année d'apposition du marquage CE : Installatiejaar van de CE-aanduiding: Märkningsår: CE-Mærkningsår: CE-merkin kiinnitysvuosi: Anno di applicazione della certificazione CE: Colocación del distintivo CE: Ano de marcação pela CE: Rok nadania oznakowania CE: CE-jelzés elhelyezésének éve: Rok umístění značky CE: Rok udelenia značky CE: Έτος σήματος CE: Leto namestitve CE-oznake: Anul de marcare CE: Година на поставяне на CE-маркировка: CE-märgistuse paigaldamise aasta: Metai, kuriais pažymėta CE-ženklai: CE-marķējuma uzlikšanas gads:</p> <p style="text-align: right;"><b>2010</b></p>
<p>EU-Richtlinien: EU directives: Directives européennes : EU-richtlijnen: EU directiv: EU Retningslinier: EY-direktiivit: Directive UE: Normativa UE: Directrizes da UE: Dyrektywy Unii Europejskiej: EU-irányelvek: Směrnice EU:</p>	<p>EU-Predpisy: Οδηγίες της ΕΕ: ES-smernice: Directive UE: EC-директиви: ELi direktiivid: ES direktiivos: ES-direktivas:</p> <p style="text-align: right;"><b>2006/42/EG</b> <b>2006/95/EG</b> <b>2004/108/EG</b> <b>93/68/EG</b></p>	<p>Ulm, den 21.06.2010   Der Bevollmächtigte Ulm, 21.06.2010    Authorised representative Fait à Ulm, le 21.06.2010   Le mandataire Ulm, 21-06-2010    De gevollmachtigde Ulm, 2010.06.21.    Auktoriserad representant Ulm, 21.06.2010    Autoriseret repræsentant Ulmissa, 21.06.2010   Valtuutettu edustaja Ulm, 21.06.2010    Persona delegata Ulm, 21.06.2010    La persona autorizada Ulm, 21.06.2010    O reprezentante Ulm, dnia 21.06.2010   Pehnomocnik Ulm, 21.06.2010    Meghatalmazott Ulm, 21.06.2010    Zplnomocněnec Ulm, dňa 21.06.2010   Splnomocnený Ulm, 21.06.2010    Ο εξουσιοδοτημένος Ulm, 21.06.2010    Pooblaščenec Ulm, 21.06.2010    Conducerea tehnică Улм, 21.06.2010    Упълномощен Ulm, 21.06.2010    Volitatud esindaja Ulm, 21.06.2010    Įgaliotasis atstovas Ulme, 21.06.2010    Pilnvarotā persona</p>
<p>Harmonisierte EN:</p> <p style="text-align: center;"><b>DIN EN ISO 12100</b> <b>EN 60335-1: 2002 A1, A2, A11, A12, A13</b> <b>EN 60335-2-41: 2003 A1</b></p>	<p style="text-align: center;"><b>2006/42/EG</b> <b>2006/95/EG</b> <b>2004/108/EG</b> <b>93/68/EG</b></p>	<p style="text-align: center;"> <b>A. Disch</b> Vice President Category Watering</p>



**Deutschland / Germany**

GARDENA GmbH  
Central Service  
Hans-Lorenser-Straße 40  
D-89079 Ulm  
Produktfragen:  
(+49) 731 490-123  
Reparaturen:  
(+49) 731 490-290  
service@gardena.com

**Albania**

COBALT Sh.p.k.  
Rr. Sirti Kodra  
1000 Tirana

**Argentina**

Husqvarna Argentina S.A.  
Av.del Libertador 5954 -  
Piso 11 - Torre B  
(C1428ARP) Buenos Aires  
Phone: (+54) 11 5194 5000  
info.gardena@  
ar.husqvarna.com

**Armenia**

Garden Land Ltd.  
61 Tigran Mets  
0005 Yerevan

**Australia**

Husqvarna Australia Pty. Ltd.  
Locked Bag 5  
Central Coast BC  
NSW 2252  
Phone: (+61) (0) 2 4352 7400  
customer.service@  
husqvarna.com.au

**Austria / Österreich**

Husqvarna Austria GmbH  
Consumer Products  
Industriezeile 36  
4010 Linz  
Tel.: (+43) 732 77 01 01 -90  
consumer.service@  
husqvarna.at

**Azerbaijan**

Firm Progress  
a. Aliyev Str. 26A  
1052 Baku

**Belgium**

GARDENA Belgium NV/SA  
Sterrebeekstraat 163  
1930 Zaventem  
Phone: (+32) 2 720 92 12  
Mail: info@gardena.be

**Bosnia / Hercegovina**

SILK TRADE d.o.o.  
Industrijska zona Bukva bb  
74260 Tešanj

**Brazil**

Husqvarna do Brasil Ltda  
Av. Francisco Matarazzo,  
1400 - 19º andar  
São Paulo - SP  
CEP: 05001-903  
Tel: 0800-112252  
marketing.br.husqvarna@  
husqvarna.com.br

**Bulgaria**

Хускварна България ЕООД  
Бул. „Андрей Ляпчев“ № 72  
1799 София  
Тел.: (+359) 02/9753076  
www.husqvarna.bg

**Canada / USA**

GARDENA Canada Ltd.  
100 Summerlea Road  
Brampton, Ontario L6T 4X3  
Phone: (+1) 905 792 9330  
info@gardenacanada.com

**Finland**

Oy Husqvarna Ab  
Consumer Outdoor Products  
Lautatarhankatu 8 B / PL 3  
00581 HELSINKI  
info@gardena.fi

**France**

GARDENA France  
Immeuble Exposit  
9 - 11 allée des Pierres Mayettes  
ZAC des Barbanniers, B.P. 99  
-F- 92232 GENNEVILLIERS  
cedex  
Tél. (+33) 01 40 85 30 40  
service.consommateurs@  
gardena.fr

**China**

Husqvarna (China) Machinery  
Manufacturing Co., Ltd.  
No. 1355, Jia Xin Rd.,  
Ma Lu Zhen, Jia Ding Dist.,  
Shanghai  
201801  
Phone: (+86) 21 59159629  
Domestic Sales  
www.gardena.com.cn

**Colombia**

Husqvarna Colombia S.A.  
Calle 18 No. 68 D-31, zona  
Industrial de Montevideo  
Bogotá, Cundinamarca  
Tel. 571 2922700 ext. 105  
jairo.salazar@  
husqvarna.com.co

**Costa Rica**

Compañia Exim  
Euroiberoamericana S.A.  
Los Colegios, Moravia,  
200 metros al Sur del Colegio  
Saint Francis - San José  
Phone: (+506) 297 6883  
exim\_euro@racsa.co.cr

**Croatia**

SILK ADRIA d.o.o.  
Josipa Lončara 3  
10090 Zagreb  
Phone: (+385) 1 3794 580  
silk.adria@zg.t-com.hr

**Cyprus**

Med Marketing  
17 Digeni Akritia Ave  
P.O. Box 27017  
1641 Nicosia

**Czech Republic**

Husqvarna Česko s.r.o.  
Türkova 2319/5b  
149 00 Praha 4 – Chodov  
Bezplatná infolinka:  
800 100 425  
servis@cz.husqvarna.com

**Denmark**

GARDENA / Husqvarna  
Consumer Outdoor Products  
Salgsafdelning Danmark  
Box 9003  
S-200 39 Malmö  
info@gardena.dk

**Dominican Republic**

BOSQUESA, S.R.L.  
Carretera Santiago Licey  
Km. 5 ½  
Esquina Copal II.  
Santiago, Dominican Republic  
Phone: (+809) 736-0333  
joserbosquesa@claro.net.do

**Ecuador**

Husqvarna Ecuador S.A.  
Arupos E1-181 y 10 de Agosto  
Quito, Pichincha  
Tel. (+593) 22800739  
francisco.jacome@  
husqvarna.com.ec

**Estonia**

Husqvarna Eesti OÜ  
Consumer Outdoor Products  
Kesk tee 10, Aaviku küla  
Rae vald  
Harju maakond  
75305 Estonia  
kontakt.etj@husqvarna.ee

**Finland**

Oy Husqvarna Ab  
Consumer Outdoor Products  
Lautatarhankatu 8 B / PL 3  
00581 HELSINKI  
info@gardena.fi

**France**

GARDENA France  
Immeuble Exposit  
9 - 11 allée des Pierres Mayettes  
ZAC des Barbanniers, B.P. 99  
-F- 92232 GENNEVILLIERS  
cedex  
Tél. (+33) 01 40 85 30 40  
service.consommateurs@  
gardena.fr

**Georgia**

ALD Group  
Bolashvili 8  
1159 Tbilisi

**Great Britain**

Husqvarna UK Ltd  
Preston Road  
Aycliffe Industrial Park  
Newton Aycliffe  
County Durham  
DL5 6UP  
info.gardena@  
husqvarna.co.uk

**Greece**

HUSQVARNA ΕΛΛΑΣ Α.Ε.Β.Ε.  
Υπ/μσ Ηφαίστου 33Α  
Βλ. Πσ. Κορωπίου  
194 00 Κορωπί Αττικής  
V.A.T. EL094094640  
Phone: (+30) 210 6620 225  
info@husqvarna-consumer.gr

**Hungary**

Husqvarna Magyarország Kft.  
Ezred u. 1-3  
1044 Budapest  
Telefon: (+36) 1 251-4161  
vevoszolgalat.husqvarna@  
husqvarna.hu

**Iceland**

Ó. Johnson & Kaaber  
Tunguhalsi 1  
110 Reykjavik  
ooj@ojk.is

**Ireland**

Husqvarna UK Ltd  
Preston Road  
Aycliffe Industrial Park  
Newton Aycliffe  
County Durham  
DL5 6UP  
info.gardena@  
husqvarna.co.uk

**Italy**

Husqvarna Italia S.p.A.  
Via Como 72  
23868 VALMADRERA (LC)  
Phone: (+39) 0341.203.111  
info@gardenaitalia.it

**Japan**

KAKUICHI Co. Ltd.  
Sumitomo Realty &  
Development Kojimachi  
BLDG., 8F  
5-1 Nibanncyo  
Chiyoda-ku  
Tokyo 102-0084  
Phone: (+81) 33 264 4721  
m\_ishihara@kaku-ichi.co.jp

**Kazakhstan**

LAMED Ltd.  
155/1, Tazhibayevoi Str.  
050060 Almaty  
IP Schmidt  
Abayavenue 3B  
110 005 Kostanay

**Kyrgyzstan**

Alye Maki  
av. Molodaya Guardir J 3  
720014  
Bishkek

**Latvia**

Husqvarna Latvija  
Consumer Outdoor Products  
Bakūžu iela 6  
LV-1024 Rīga  
info@husqvarna.lv

**Lithuania**

UAB Husqvarna Lietuva  
Consumer Outdoor Products  
Ateities pl. 77C  
LT-52104 Kaunas  
centras@husqvarna.lt

**Luxembourg**

Magasins Jules Neuberg  
39, rue Jacques Stas  
Luxembourg-Gasperich 2549  
Case Postale No. 12  
Luxembourg 2010  
Phone: (+352) 40 14 01  
api@neuberg.lu

**Mexico**

AFOSA  
Av. Lopez Mateos Sur # 5019  
Col. La Calma 45070  
Zapopan, Jalisco  
Mexico  
Phone: (+52) 33 3818-3434  
icornejo@afosa.com.mx

**Moldova**

Convel S.R.L.  
290A Muncesti Str.  
2002 Chisinau

**Netherlands**

GARDENA Nederland B.V.  
Postbus 50176  
1305 AD ALMERE  
Phone: (+31) 36 521 00 00  
info@gardena.nl

**Neth. Antilles**

Jonka Enterprises N.V.  
Sta. Rosa Weg 196  
P.O. Box 8200  
Curaçao  
Phone: (+599) 9 767 66 55  
pgm@jonka.com

**New Zealand**

Husqvarna New Zealand Ltd.  
PO Box 76-437  
Manukau City 2241  
Phone: (+64) (0) 9 9202410  
support.nz@husqvarna.co.nz

**Norway**

GARDENA  
Husqvarna Consumer  
Outdoor Products  
Salgskontor Norge  
Klevereveien 6  
1540 Vestby  
info@gardena.no

**Peru**

Husqvarna Perú S.A.  
Jr. Ramón Cárcamo 710  
Lima 1  
Tel: (+51) 1 3320400 ext. 416  
juan.remuzgo@  
husqvarna.com

**Poland**

Husqvarna  
Poland Spółka z o.o.  
ul. Wysockiego 15 b  
03-371 Warszawa  
Phone: (+48) 22 330 96 00  
gardena@gardena.pl

**Portugal**

Husqvarna Portugal, SA  
Lagoa - Albarraque  
2635 - 595 Rio de Mouro  
Tel.: (+351) 21 922 85 36  
Fax : (+351) 21 922 85 36  
info@gardena.pt

**Romania**

Madex International Srl  
Soseaua Odaii 117- 123,  
RO 013603  
București, S1  
Phone: (+40) 21 352.76.03  
madex@ines.ro

**Russia**

ООО „Хускварна“  
141400, Московская обл.,  
г. Химки,  
улица Ленинградская,  
владение 39, стр.6  
Бизнес Центр  
„Химки Бизнес Парк“,  
помещение ОВ02\_04

**Serbia**

Domel d.o.o.  
Autoput za Novi Sad bb  
11273 Belgrade  
Phone: (+381) 1 18 48 88 12  
miroslav.vejina@domel.rs

**Singapore**

Hy-Ray PRIVATE LIMITED  
40 Jalan Pemimpin  
# 02-08 Tat Ann Building  
Singapore 577185  
Phone: (+65) 6253 2277  
shiyang@hyray.com.sg

**Slovak Republic**

Husqvarna Česko s.r.o.  
Türkova 2319/5b  
149 00 Praha 4 – Chodov  
Bezplatná infolinka:  
800 154 044  
servis@sk.husqvarna.com

**Slovenia**

Husqvarna Austria GmbH  
Consumer Products  
Industriezeile 36  
4010 Linz  
Tel.: (+43) 732 77 01 01 -90  
consumer.service@  
husqvarna.at

**South Africa**

Husqvarna  
South Africa (Pty) Ltd  
Postnet Suite 250  
Private Bag X6,  
Cascades, 3202  
South Africa  
Phone: (+27) 33 846 9700  
info@gardena.co.za

**Spain**

Husqvarna España S.A.  
C/ Basauri, nº 6  
La Florida  
28023 Madrid  
Phone: (+34) 91 708 05 00  
atencioncliente@gardena.es

**Suriname**

Agrofix n.v.  
Verlengde Hogestraat #22  
Phone: (+597) 472426  
agrofix@sr.net  
Pobox : 2006  
Paramaribo  
Suriname-South America

**Sweden**

Husqvarna AB  
S-561 82 Huskvarna  
info@gardena.se

**Switzerland / Schweiz**

Husqvarna Schweiz AG  
Consumer Products  
Industriestrasse 10  
5506 Mägenwil  
Phone: (+41) (0) 848 800 464  
info@gardena.ch

**Turkey**

GARDENA Dost Diş Ticaret  
Müessesilik A.Ş.  
Sanayi Cad. Adil Sokak  
No: 1/B Kartal  
34873 Istanbul  
Phone: (+90) 216 38 93 939  
info@gardena-dost.com.tr

**Ukraine / Україна**

ТОВ «Хусварна Україна»  
вул. Васильківська, 34,  
офіс 204-г  
03022, Київ  
Тел. (+38) 044 498 39 02  
info@gardena.ua

**Uruguay**

FELI SA  
Entre Ríos 1083 CP 11800  
Montevideo - Uruguay  
Tel: (+598) 22 03 18 44  
info@felisa.com.uy

**Venezuela**

Corporación Casa y Jardín C.A.  
Av. Caroní, Edif. Trezmen, PB.  
Colinas de Bello Monte,  
1050 Caracas.  
Tlf: (+58) 212 992 33 22  
info@casayjardin.net.ve

1740-20.960/04/0811

© GARDENA  
Manufacturing GmbH  
D-89070 Ulm  
http://www.gardena.com