

5500/5 inox Art. 1489
6000/5 inox Art. 1492



6000/5 inox automatic Art. 1499

D Betriebsanleitung
Tiefbrunnenpumpe

GB Operating Instructions
Deep Well Pump

F Mode d'emploi
Pompe de forage

NL Gebruiksaanwijzing
Dieptebronnepomp

S Bruksanvisning
Pump för djup brunn

DK Brugsanvisning
Dybbrønds-pumpe

FI Käyttöohje
Porakaivopumppu

N Bruksanvisning
Dyp brønn pumpe

I Istruzioni per l'uso
Pompa per pozzi

E Instrucciones de empleo
Bomba para pozos profundos

P Manual de instruções
Bomba para poços profundos

PL Instrukcja obsługi
Pompa głębinowa

H Használati utasítás
Mélykútszivattyú

CZ Návod k obsluze
Čerpadlo pro čerpání vody
z hlubokých studní

SK Návod na obsluhu
Čerpadlo na čerpanie vody
z hlbokých studní

GR Οδηγίες χρήσης
Αντλία βαθέων φρεάτων

RUS Инструкция по эксплуатации
Насос для скважин

SLO Navodilo za uporabo
Črpalka za globoke vodnjake

HR Uputa za upotrebu
Pumpa za duboke bunare

SRB Uputstvo za rad
BIH Pumpa za duboke bunare

UA Інструкція з експлуатації
Заглибний насос

RO Instrucțiuni de utilizare
Pompă de presiune submersibilă

TR Kullanma Kılavuzu
Derin kuyu pompası

BG Инструкция за експлоатация
Помпа за дълбоки кладенци

AL Manual përdorimi
Pompë pusi

EST Kasutusjuhend
Süvaveepump

LT Naudojimosi instrukcija
Gilių šulinių siurblys

LV Lietošanas instrukcija
Dziļo aku sūkņis

GARDENA Deep Well Pump 5500/5 inox / 6000/5 inox / 6000/5 inox automatic

GB



Translation of the original German operating instructions.
Please read the operating instructions carefully and observe the notes given. Use these operating instructions to familiarise yourself with the Deep Well Pump, its proper use and the notes on safety.



For safety reasons, children and young people under the age of 16, as well as people who are not familiar with these operating instructions must not use this Deep Well Pump. Persons with reduced physical or mental abilities may use the product only if they are supervised or instructed by a responsible person.

→ Keep these operating instructions in a safe place.

Contents:

1. Area of application of your GARDENA Deep Well Pump.	9
2. Safety instructions	10
3. Assembly.	11
4. Operation	11
5. Putting into Storage	12
6. Maintenance	12
7. Trouble-Shooting	13
8. Available accessories	14
9. Technical Data	14
10. Service / Warranty.	15

1. Area of application of your GARDENA Deep Well Pump

Purpose:

The GARDENA Deep Well Pump is intended for private use in the home and hobby garden. It is intended for drawing water from wells (for drilled wells from 10 cm diameter), cisterns and other water reservoirs and for operating irrigation equipment and systems.

Liquids to be pumped:

The GARDENA Deep Well Pump may only be used to pump clear fresh water.

The pump is watertight and is submerged in water (for max. submersion depth, see 9. Technical Data).

Please note:



Salt water, contaminated water, corrosive, easily flammable, or explosive substances (for example gasoline, petroleum, cellulose thinner), oil, heating oil, and foodstuffs may not be conveyed.

The water temperature may not exceed 35 °C.

2. Safety instructions

Electrical Safety:



DANGER! Electric shock!

With a cut off mains plug, moisture can get into electrical parts via the mains cable and cause a short circuit.

→ **Never cut the mains plug off (e. g. to feed through wall).**

→ **Don't use the power cable for plugging off.**



DANGER! Electric shock!

A damaged pump must not be used.

→ In case of damage, please have the pump checked by our GARDENA Service Centre.

→ Before operating the pump, first make a visual check, if there is any damage of the pump (esp. regarding power cable and plug).

In accordance with DIN VDE 0100 (AZ/NZS 3000), Deep Well Pumps may only be operated in swimming pools, garden ponds and fountains via a residual current-operated-circuit-breaker (RCD) with a nominal residual current ≤ 30 mA. The pump must not be operated when there are persons in the swimming pool or garden pond.

For safety reasons, we recommend operating the Deep Well Pump with a residual current-operated-circuit-breaker (DIN VDE 0100-702 and 0100-738).

→ Please contact your electrician.

The power cable of the pump must be connected to a socket which is positioned at a height of max. 1.10m (measured from ground). Take care that the power cable leads downwards.

Data indicated on the type plate must match technical data of the mains supply.

Only use extension cables authorised in accordance with HD 516.

→ Consult your qualified electrician.

→ Take care that the electrical connections are made within dry area, protected from flooding.

→ Keep mains plug dry.

Protect plug and power cable from heat, oil and sharp edges.

The power cable must not be used for mounting or relocating the pump. For submerging or lifting / securing the pump, please use the fastening rope.

In Austria:

In Austria, according to ÖVE B/ EN 60 555 part 1 to 3, pumps which are used in swimming pools and garden ponds, and equipped with firm power cable should be fed via an ÖVE approved isolating transformer – rated voltage must not exceed 230 V.

In Switzerland:

In Switzerland mobile appliances which are used outdoors, must be connected via a residual-current device.

Notes on use:

→ Before operation, clear the pressure line (e. g. open closed valve, closed outlet connector etc.).

For Art. 1489/1492 only: Running dry leads to increased wear or damage and is to be avoided.

→ The pump must be immediately switched off when water fails to flow.

→ Observe max. delivery height.

When connecting the pump to the water supply system, the country-specific sanitary regulations must be observed to prevent water not of drinking water quality being drawn back in.

→ If necessary, contact your sanitary expert.

Sand and other abrasive substances cause increased wear and reduce the pump's output. Fibres in the water can block the turbine.

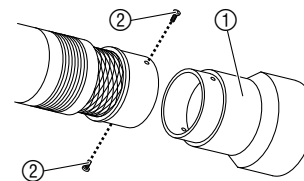
During operation, the pump must always be submersed in the water up to the minimum submersion depth (see 9. Technical Data).

For Art. 1489/1492 only: Do not allow the pump to run for more than 10 minutes against the closed pressure side (e. g. closed valve, closed dispenser etc.).

The pump is automatically switched off on overheating by the built-in thermal motor protector. After having cooled down, the motor automatically switches on again (see 7. Trouble-Shooting).

3. Assembly

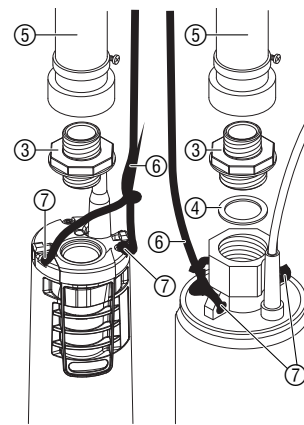
Install foot (only for use in cisterns):



Only when the pump is sited on the ground does the foot have to be fitted to prevent the pump from taking in any sand or dirt.

1. Push the foot ① onto the pump from below.
2. Screw the foot ① to the pump ② with the two screws.

Connecting the hose:



Art. 1499

Art. 1489
Art. 1492

The 40mm (1 1/4") internal thread (Art. 1499: 33mm (1" female thread) on the outlet of the Deep Well Pump can be converted if necessary with the pump fitting provided ③ to a 33mm (1") external thread. The pump can then be connected to the **GARDENA Hose Connection System** and the **GARDENA Fitting Art. 1723 / 1724**.

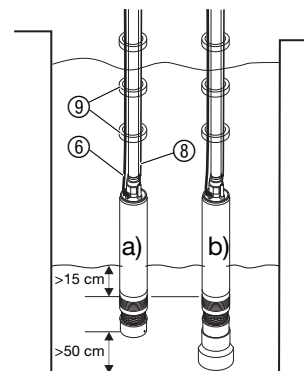
1. Screw the pump fitting ③ onto the outlet of the pump and tighten it manually until the washer ④ fits closely. In Art. 1499 the sealing ring is integrated in the pump fitting ③.
2. Connect pressure hose ⑤ to the relevant adapter.
3. Tie the fastening rope ⑥ to the two eyes ⑦ for the fastening rope.

For the best pumping results, connect 25mm (1") hoses with the **GARDENA Suction Hose Fitting Art. 1724** and one hose clamp.

If you need to disconnect the hose frequently from the pump, we recommend using the **GARDENA Pump Connection Set Art. 1752** in connection with a 19mm (3/4") hose.

4. Operation

Pump water:



For the pump to deliver, the inlet filter of the pump must be submersed at least 15cm in the water.

- a) Without the foot, the pump must be fixed at least 50cm above the ground.
- b) If the foot has been fitted (cistern use), the pump may be placed on the ground.

1. Immerse pump on the fastening rope ⑥ into a well or shaft. *The mains power cable must not be subjected to tension.*
2. Secure the fastening rope ⑥.
3. When using the pump in deep wells or shafts (from approx. 5m deep) guide the connecting cable ⑧ along the fastening rope ⑥ using clips ⑨.
4. Plug the power cable ⑧ into a mains socket. *Attention! The pump starts immediately.*

**For Art. 1499 only:
Bleeding:**

Before putting the pump into operation or switching it on, please note: When first put into operation, the pump takes about 60 seconds to vent after submersion in the water.

→ Put the pump into operation only after this 60-second submersion phase.

Once the pump has been put into operation, the end of the bleeding operation is indicated by a jet of water exiting the bleed openings.

**For Art. 1499 only:
Automatic mode:**

The pump pumps and switches off automatically as soon as no more water is drawn. Due to the check valve, the pressure is maintained in the hose until water is drawn via the hose. When water is drawn via the hose (the pressure in the hose falls below 3.5 bar), the pump switches on automatically.

**For Art. 1499 only:
Dry run protection
(flow control):**

The pump switches off automatically when there is no fluid pumped (the pump operates in cycles 30 secs. on – 5 secs. off (4x). This cycle is repeated in 1 hr, 5 hrs, 24 hrs, 24 hrs ...). As soon as the inlet filter of the pump is again submersed at least 15cm in the water, the pump is ready to operate again.

**For Art. 1499 only:
Flow control:**

The flow control switches off automatically as soon as no more water is drawn. In the event of leakage on the pressure side (e.g. leaking pressure hose or tap) switches the pump on and off at short intervals. If the pump is switched on and off more frequently than 7 x in 2 min. (with a leakage < 200 l/hr), the pump switches off completely. When the leakage on the pressure side is eliminated, the pump must be unplugged and plugged in again in order to be operational again.

**For Art. 1499 only:
Non-return valve:**

The built-in non-return valve prevents the water flowing back through the pump.

5. Putting into Storage

Storage:



The storage location must not be accessible to children.

→ Store the pump away from frost before the first frost sets in.

Disposal:

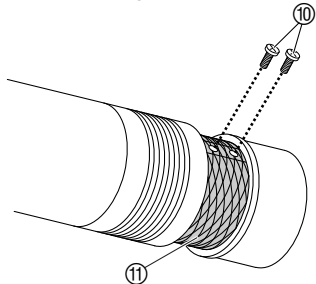
(in accordance with
RL2002/96/EC)



The product must not be added to normal household waste. It must be disposed of in line with local environmental regulations.

6. Maintenance

Clean priming area:



DANGER! Electric shock!

There is a risk of injury from electric shocks.

→ Disconnect the Deep Well Pump from the mains power supply before carrying out maintenance.

1. Unscrew both screws ⑩ and remove the inlet filter ⑪.
2. Clean priming area of the pump and inlet filter ⑪.
3. Fix inlet filter ⑪ around the priming area again and screw tight with the two screws ⑩.

7. Trouble-Shooting



DANGER! Electric shock!

There is a risk of injury from electric shocks.

→ Before eliminating faults, disconnect the Deep Well Pump from the mains power supply.

Fault	Possible cause	Remedy
Pump is running, but doesn't deliver.	Air cannot escape as the pressure line is closed.	→ Open pressure line (e. g. bent pressure hose).
	Priming area blocked.	→ Disconnect mains plug and clean priming area (see 6. Maintenance).
	When starting the pump, water height falls below the min. water level.	→ Immerse pump deeper (observe minimum water level: see 9. Technical Data).
Pump doesn't start or suddenly stops during operation.	Non-return valve blocked.	→ Art. 1499: Contact GARDENA Service.
	Thermal protection switch switched pump off due to overheating.	→ Disconnect mains plug and clean priming area (see 6. Maintenance). Observe max. media temperature (35 °C).
	Power supply interrupted.	→ Check fuses and electrical plug-in connections.
Pump runs, but output suddenly decreases.	Dirt particles are trapped in priming area.	→ Disconnect mains plug and clean priming area (see 6. Maintenance).
	Priming area blocked.	→ Disconnect mains plug and clean priming area (see 6. Maintenance).
	For Art. 1499 only: Lack of water: Dry run protection switched the pump off due to insufficient water level.	The pump is only operational when it is submerged at least 15 cm. → Submerge pump at least 15 cm in water.



For any other malfunctions please contact the GARDENA service department. Repairs must only be carried out by GARDENA service departments or specialist dealers authorised by GARDENA.

8. Available accessories

GARDENA Fitting	For optimum utilisation of the pumping capacity of the pump.	Art. 1723 / 1724
GARDENA Pump Connection Set	If the hose connection is to be detached frequently.	Art. 1752
For Art. 1489/1492 only: GARDENA Dry-Running Safety *	Deactivates the pump automatically if the pumped medium fails to flow.	Art. 1741
For Art. 1489/1492 only: GARDENA Electronic Manometric Switch *	With Dry-Running Safety. Ideal for converting a pump into a pressure tank unit.	Art. 1739

* GARDENA Dry Running Safety / Electronic Manometric Switch must not be installed directly on the pump, as they must not be submerged in the water.

9. Technical Data

	Art. 1489 5500/5 inox	Art. 1492 6000/5 inox	Art. 1499 6000/5 inox automatic
Rated power	850 W	950 W	950 W
Max. delivery capacity	5,500 l/h*	6,000 l/h*	6,000 l/h*
Max. pressure / Max. delivery height	4.5 bar / 45m	5.0 bar / 50m	5.0 bar / 50 m
Max. submersion depth	19m	19m	19m
Power cable	22m H07 RNF	22m H07 RNF	22m H07 RNF
Pump connection	40mm (1 1/4") female thread	40mm (1 1/4") female thread	33mm (1") female thread
Min. water level for operation (from the top edge of the filter)	> 15cm	> 15cm	> 15cm
Weight (without cable) approx.	7.5 kg	8.25 kg	9 kg
Fastening rope	22m	22m	22m
Casing diameter	< 98mm (max.)	< 98mm (max.)	< 98 mm (max.)
Max. media temperature	35 °C	35 °C	35 °C
Mains voltage / mains frequency	220 – 240 V / 50 Hz	220 – 240 V / 50 Hz	220 – 240 V / 50 Hz

* If used in a well pipe of 10 cm diameter, the max. delivery capacity is not reached.

10. Service / Warranty

Warranty:

GARDENA guarantees this product for 2 years (from date of purchase). This guarantee covers all serious defects of the unit that can be proved to be material or manufacturing faults. Under warranty we will either replace the unit or repair it free of charge if the following conditions apply:

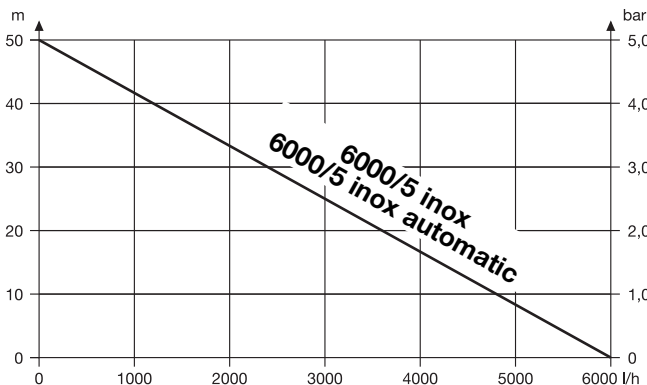
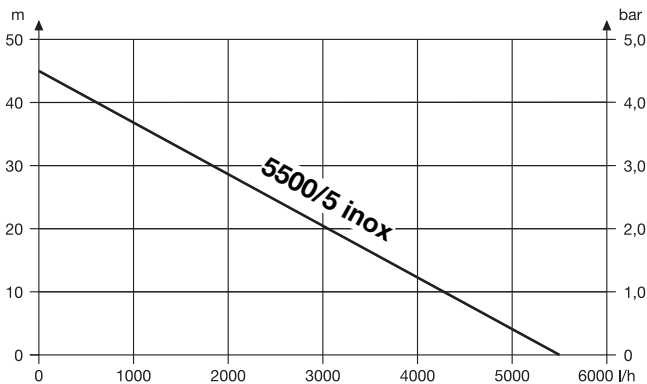
- The unit must have been handled properly and in keeping with the requirements of the operating instructions.
- Neither the purchaser or a non-authorized third party have attempted to repair the unit.

The wear part turbine is excluded from the warranty. Pumps damaged by frost are excluded from the warranty.

This manufacturer's guarantee does not affect the user's existing warranty claims against the dealer/seller.

If you have any problems with your pump, please contact our Service or return the defective unit together with a short description of the problem – in case of guarantee, with a copy of the receipt – postage paid to one of the GARDENA Service Centres listed on the back of this leaflet.

Pumpen-Kennlinien
Performance characteristics
Courbes de performance
Prestatiegrafiek
Kapacitetskurva
Ydelses karakteristika
Pumpun ominaiskäyrä
Pumpekarakteristikk
Curva di rendimento
Curva característica de la bomba
Características de performance
Charakterystyka pompy
Szivattyú-jelleggörbe
Charakteristika čerpadla
Charakteristiky čerpadla
Χαρακτηριστικό διάγραμμα
Характеристика насоса
Karakteristika črpalke
Obilježja pumpe
Karakteristika pumpe
Крива характеристики насоса
Caracteristică pompă
Pompa karakter eğrisi
Помпена характеристика
Fuqia e pompës
Pumba karakteristik
Siurblio charakteristinė kreivė
Sūkņa raksturlīkne



D Produkthaftung

Wir weisen ausdrücklich darauf hin, dass wir nach dem Produkthaftungsgesetz nicht für durch unsere Geräte hervorgerufene Schäden einzustehen haben, sofern diese durch unsachgemäße Reparatur verursacht oder bei einem Teileaustausch nicht unsere originale GARDENA Teile oder von uns freigegebene Teile verwendet wurden und die Reparatur nicht vom GARDENA Service oder dem autorisierten Fachmann durchgeführt wird. Entsprechendes gilt für Ergänzungssteile und Zubehör.

GB Product Liability

We expressly point out that, in accordance with the product liability law, we are not liable for any damage caused by our units if it is due to improper repair or if parts exchanged are not original GARDENA parts or parts approved by us, and, if the repairs were not carried out by a GARDENA Service Centre or an authorised specialist. The same applies to spare parts and accessories.

F Responsabilité

Nous vous signalons expressément que GARDENA n'est pas responsable des dommages causés par ses appareils, dans la mesure où ces dommages seraient causés suite à une réparation non conforme, dans la mesure où, lors d'un échange de pièces, les pièces d'origine GARDENA n'auraient pas été utilisées, ou si la réparation n'a pas été effectuée par le Service Après-Vente GARDENA ou l'un des Centres SAV agréés GARDENA. Ceci est également valable pour tout ajout de pièces et d'accessoires autres que ceux préconisés par GARDENA.

NL Productaansprakelijkheid

Wij wijzen er nadrukkelijk op, dat wij op grond van de wet aansprakelijkheid voor producten niet aansprakelijk zijn voor schade ontstaan door onze apparaten, indien deze door onvakkundige reparatie veroorzaakt zijn, of er bij het uitwisselen van onderdelen geen gebruik gemaakt werd van onze originele GARDENA onderdelen of door ons vrijgegeven onderdelen en de reparatie niet door de GARDENA technische dienst of de bevoegde vakman uitgevoerd werd. Ditzelfde geldt voor extra-onderdelen en accessoires.

S Produktsvar

Tillverkaren är inte ansvarig för skada som orsakats av produkten om skadan beror på att produkten har reparerats felaktigt eller om, vid reparation eller utbyte, andra än Original GARDENA reservdelar har använts. Samma sak gäller för kompletteringsdelar och tillbehör.

DK Produktsvar

Vi gør udtrykkeligt opmærksom på, at vi i henhold til produktansvarsloven ikke er ansvarlige for skader forårsaget af vores udstyr, såfremt det sker på grund af uautoriserede reparationer eller hvis dele er skiftet ud og der ikke er anvendt originale GARDENA dele eller dele godkendt af os, eller hvis reparationerne ikke er udført af GARDENA-service eller en autoriseret fagmand. Det samme gælder for ekstra udstyr og tilbehør.

FI Tuotevastuu

Korostamme nimenomaan, että tuotevastuulain nojalla emme ole vastuussa laitteistamme johtuneista vahingoista, mikäli nämä ovat aiheutuneet epäasianmukaisesta korjauksesta tai osia vaihdettaessa ei ole käytetty alkuperäisiä GARDENA-varaosia tai hyväksymiämme osia ja korjauksen on suorittanut muu kuin GARDENA-huoltokeskus tai valtuuttamamme ammattihenkilö. Tämä pätee myös lisäosiin ja lisävarusteisiin.

I Responsabilità del prodotto

Si rende espressamente noto che, conformemente alla legislazione sulla responsabilità del prodotto, non si risponde di danni causati da nostri articoli se originati da riparazioni eseguite non correttamente o da sostituzioni di parti effettuate con materiale non originale GARDENA o comunque da noi non approvato e, in ogni caso, qualora l'intervento non venga eseguito da un centro assistenza GARDENA o da personale specializzato autorizzato. Lo stesso vale per le parti complementari e gli accessori.

E Responsabilidad de productos

Advertimos que conforme a la ley de responsabilidad de productos no nos responsabilizamos de daños causados por nuestros aparatos, siempre y cuando dichos daños hayan sido originados por arreglos o reparaciones indebidas, por recambios con piezas que no sean piezas originales GARDENA o bien piezas no autorizadas por nosotros, así como en aquellos casos en que la reparación no haya sido efectuada por un Servicio Técnico GARDENA o por un técnico autorizado. Lo mismo es aplicable para las piezas complementarias y accesorios.

P Responsabilidade sobre o produto

Queremos salientar que segundo a lei da responsabilidade do fabricante, nós não nos responsabilizaremos por danos causados pelo nosso equipamento, quando estes ocorrerem em decorrência de reparações inadequadas ou da substituição de peças por peças não originais da GARDENA, ou peças não autorizadas. A responsabilidade tornar-se-à nula também depois de reparações realizadas por oficinas não autorizadas pela GARDENA. Esta restrição valerá também para peças adicionais e acessórios.

<p>PL Odpowiedzialność za produkt Informujemy, że zgodnie z ustawą o odpowiedzialności cywilnej za szkody powstałe w związku z wadliwością towaru nie ponosimy odpowiedzialności za szkody powstałe w wyniku użytkowania naszych urządzeń, o ile spowodowane zostały niewłaściwą naprawą lub przy wymianie elementów nie zostały zastosowane nasze części oryginalne firmy GARDENA, a naprawa nie została wykonana przez serwis firmy GARDENA lub przez autoryzowanego przedstawiciela. Taką samą zasadą dotyczy części uzupełnianych i akcesoriów.</p>
<p>H Termékszavatosság Nyomatékosan utalunk arra a tényre, hogy a termékszavatossági törvény szerinti nem kell jótállást vállalnunk azokra a károkra, amelyekket nem a mi készülékeink okoztak, ha ezeket szakszerűtlen javítás okozta vagy egy alkatrész kicserélésénél nem a mi eredeti GARDENA alkatrészeket vagy általunk engedélyezett alkatrészeket használtak fel és a javítást nem a GARDENA szerviz vagy egy erre felhatalmazott szakember végezte. Hasonlóképpen érvényes ez a kiegészítő alkatrészekre és tartozékokra is.</p>
<p>CZ Odpovědnost za výrobek Výslovně upozorňujeme na to, že podle zákona o odpovědnosti za výrobek neneseme odpovědnost za škody způsobené našimi přístroji, pokud byly způsobeny neodbornou opravou nebo použitím jiných než našich originálních náhradních dílů GARDENA nebo námi schválených dílů a neprovedením opravy servisem GARDENA nebo autorizovaným odborníkem. Odpovídající platí i pro doplňkové díly a příslušenství.</p>
<p>SK Predmet záruky Upozorňujeme dôrazne na to, že podľa zákona o poskytovaní záruk nezodpovedáme za škody spôsobené našimi výrobkami, v prípade, že boli boli vyvolané neodbornými opravami, výmenou dielcov, ktoré nepatria k originálnym dielom GARDENA alebo neboli nami schválené a rovnako boli spôsobené servisnými zásahmi, ktoré neboli vykonané servisom GARDENA alebo autorizovaným odborníkom. Rovnako to platí pre doplnky a príslušenstvo.</p>
<p>GR Ευθύνη για το προϊόν Σας υπενθυμίζουμε ρητά, ότι σύμφωνα με το νόμο περί ευθύνης για τα προϊόντα δεν ευθυνόμαστε για ενδεχόμενες βλάβες που προκαλούνται από τις συσκευές μας, εφόσον οφείλονται σε μία ακατάλληλη επισκευή ή σε μία αντικατάσταση τμημάτων για την οποία δεν έχουν χρησιμοποιηθεί τα πρωτότυπα ανταλλακτικά της GARDENA ή τα από μας εγκατεστημένα ανταλλακτικά και σε περίπτωση που δεν εκτελείται η επισκευή από το Τμήμα Εξυπηρέτησης Πελατών της GARDENA ή από έναν εξουσιοδοτημένο εξειδικευμένο τεχνίτη. Το ίδιο ισχύει για εξαρτήματα και συμπληρωματικά τμήματα.</p>
<p>SLO Jamstvo za izdelek Pismo no poudarjamo, da po zakonu jamstva za izdelek nismo odgovorni za škodo, ki bi nastala zaradi uporabe našega izdelka, prav tako tudi ne za škodo ki bi nastala zaradi nepravilnega popravila izdelka ali pri napačni zamenjavi delov, ki niso originalni deli GARDENA ali pri uporabi z naše strani potrjenih delov, ki pa niso bili vgrajeni v servisu GARDENA ali v naši pooblaščenih servisni službi. Enako velja tudi za nadomestne dele in opremo.</p>
<p>RO Responsabilitatea legala a produsului Menționăm în mod expres ca, în concordanță cu responsabilitatea legala a produsului, nu suntem răspunzători de nici un accident provocat de produsele noastre dacă se datorează reparării necorespunzătoare sau dacă piesele de schimb nu sunt originale GARDENA sau aprobate de GARDENA, sau dacă reparațiile nu au fost efectuate de un Centru de Service GARDENA sau un specialist autorizat. Aceleași prevederi se aplică și pieselor de schimb și accesoriilor.</p>
<p>BG Отговорност за качество Изрично подчертаваме, че съгласно закона за отговорност за качество, ние не носим отговорност за вредите причинени от нашите уреди, ако същите са причинени от неправилен ремонт или при подмяната на части не са използвани оригинални части на GARDENA или части одобрени от нас и ремонта не е извършен от сервиз на GARDENA или оторизиран специалист. Същото важи за допълнителните части и принадлежностите.</p>
<p>EST Tootevastutus Juhime teie tähelepanu sellele, et tootevastutusseaduse kohaselt ei vastuta me meie seadmete poolt põhjustatud kahjude eest, kui need on tekkinud asjatundmatu paranduse tagajärjel või kui detaili vahetamiseks ei kasutatud GARDENA originaalvaruosi ega meie poolt kasutatada lubatud varuosi ja kui parandustööd ei ole teinud GARDENA klienditeenindusspetsialistid ega meie volitatud spetsialistid. Sama kehtib lisadetailide ja tarvikute kohta.</p>
<p>LT Atsakomybė už produkciją Nurodome, kad remdamiės Atsakomybės už produkciją įstatymu, neatsakome už nuostolius, sukeltus mūsų prietaisų, jei jie atsirado dėl netinkamo remonto, arba, jei keičiant dalis, buvo naudojamos neoriginalios GARDENA dalys arba dalys, kurių mes neleidome naudoti, o remontą atliko ne GARDENA servisas arba neįgaliotasis specialistas. Tas pats galioja papildomoms dalims ir priedams.</p>
<p>LV Produkta atbildība Mēs skaidri norādām uz to, ka saskaņā ar Produktu atbildības likumu, mēs neatbildam par mūsu iekārtu radītiem zaudējumiem, ciktāl tos ir izraisījis neatbilstošs remonts vai daļu nomaļņa ar neoriģinālām GARDENA daļām vai ne ar mūsu norādītajām detaļām un remontu nav veicis GARDENA serviss vai pilnvarots speciālists. Tas pats attiecas uz papildinošajām daļām un piederumiem.</p>

<p>D EG-Konformitätserklärung Der Unterzeichnete Husqvarna AB, 561 82 Huskvarna, Sweden bestätigt, dass die nachfolgend bezeichneten Geräte in der von uns in Verkehr gebrachten Ausführung die Anforderungen der harmonisierten EU-Richtlinien, EU-Sicherheitsstandards und produktspezifischen Standards erfüllen. Bei einer nicht mit uns abgestimmten Änderung der Geräte verliert diese Erklärung ihre Gültigkeit.</p>
<p>GB EU Declaration of Conformity The undersigned Husqvarna AB, 561 82 Huskvarna, Sweden hereby certifies that, when leaving our factory, the units indicated below are in accordance with the harmonised EU guidelines, EU standards of safety and product specific standards. This certificate becomes void if the units are modified without our approval.</p>
<p>F Certificat de conformité aux directives européennes Le constructeur, soussigné : Husqvarna AB, 561 82 Huskvarna, Sweden déclare qu'à la sortie de ses usines le matériel neuf désigné ci-dessous était conforme aux prescriptions des directives européennes énoncées ci-après et conforme aux règles de sécurité et autres règles qui lui sont applicables dans le cadre de l'Union européenne. Toute modification portée sur ce produit sans l'accord express de GARDENA supprime la validité de ce certificat.</p>
<p>NL EU-overeenstemmingsverklaring Ondergetekende Husqvarna AB, 561 82 Huskvarna, Sweden bevestigt, dat de volgende genoemde apparaten in de door ons in de handel gebrachte uitvoering voldoen aan de eis van, en in overeenstemming zijn met de EU-richtlijnen, de EU-veiligheidsstandaard en de voor het product specifieke standaard. Bij een niet met ons afgestemde verandering aan de apparaten verliest deze verklaring haar geldigheid.</p>
<p>S EU Tilverkarintyg Undertecknad firma Husqvarna AB, 561 82 Huskvarna, Sweden intygar härmed att nedan nämnda produkter överensstämmer med EU:s direktiv, EU:s säkerhetsstandard och produktspecifikation. Detta intyg upphör att gälla om produkten ändras utan vårt tillstånd.</p>
<p>DK EU Overensstemmelse certifikat Undertegnede Husqvarna AB, 561 82 Huskvarna, Sweden bekræfter hermed, at enheder listet herunder, ved afsendelse fra fabrikken, er i overensstemmelse med harmoniserede EU retningslinier, EU sikkerheds standarder og produkt specifikations standarder. Dette certifikat træder ud af kraft hvis enhederne er ændret uden vor godkendelse.</p>
<p>FI EY-vaatimustenmukaisuusvakuutus Allekirjoittanut Husqvarna AB, 561 82 Huskvarna, Sweden vakuuttaa, että allannimitut laitteet täyttävät tентаattamme lähtießään yhdenmukaistettujen EY-direktiivien, EY-turvallisuusstandardien ja tuotekohtaisen standardien vaatimukset. Laitteisiin tehdyt muutokset, joista ei ole sovittu kanssamme, johtavat tämän vakuutuksen raukeamiseen.</p>
<p>I Dichiarazione di conformità alle norme UE La sottoscritta Husqvarna AB, 561 82 Huskvarna, Sweden certifica che il prodotto qui di seguito indicato, nei modelli da noi commercializzati, è conforme alle direttive armonizzate UE nonché agli standard di sicurezza e agli standard specifici di prodotto. Qualunque modifica apportata al prodotto senza nostra specifica autorizzazione invalida la presente dichiarazione.</p>
<p>E Declaración de conformidad de la UE El que suscribe Husqvarna AB, 561 82 Huskvarna, Sweden declara que la presente mercancía, objeto de la presente declaración, cumple con todas las normas de la UE, en lo que a normas técnicas, de homologación y de seguridad se refiere. En caso de realizar cualquier modificación en la presente mercancía sin nuestra previa autorización, esta declaración pierde su validez.</p>
<p>P Certificado de conformidade da UE Os abaixo mencionados Husqvarna AB, 561 82 Huskvarna, Sweden Por este meio certificamos que ao sair da fábrica os aparelhos abaixo mencionados estão de acordo com as diretrizes harmonizadas da UE, padrões de segurança e de produtos específicos. Este certificado ficará nulo se as unidades forem modificadas sem a nossa aprovação.</p>

<p>PL Deklaracja zgodności Unii Europejskiej Husqvarna AB, 561 82 Huskvarna, Sweden potwierdza, że poniżej określone urządzenia w wersji oferowanej przez nas do sprzedaży spełniają wymagania zharmonizowanych dyrektyw Unii Europejskiej, standardu bezpieczeństwa Unii Europejskiej i standardu specyficznego dla tego typu produktów. W przypadku zmiany urządzenia, która nie została z nami uzgodniona, niniejsza deklaracja traci moc obowiązywania.</p>
<p>H EU-Megfelelőségi nyilatkozat Alulírott, a Husqvarna AB, 561 82 Huskvarna, Sweden igazolja azt, hogy az alábbiakban megnevezett készülékek, az általunk forgalomba hozott kivitelben teljesítik a harmonizációs EU-irányelvek, az EU biztonsági szabványok és a termékre jellemző szabványok követelményeit. Ha a készülékeken a mi bejegyeztésünk nélkül változtatást végeznek, akkor ez a nyilatkozat érvényét veszti.</p>
<p>CZ Prohlášení o shodě EU Podepsaný Husqvarna AB, 561 82 Huskvarna, Sweden potvrzuje, že dále uvedené přístroje v naší dovozu uvedeném provedení splňují požadavky harmonizovaných směrnic EU, bezpečnostních norem EU a norem specifických pro výrobek. Při naší neschválené změně přístrojů ztrácí toto prohlášení platnost.</p>
<p>SK EU-Vyhľadanie o zhode Nižšie uvedená firma Husqvarna AB, 561 82 Huskvarna, Sweden vyhlasuje, že uvedené zariadenia, ktoré sme uviedli na trh v ich vyhotovení splňujú požiadavky harmonizovaných predpisov EU, bezpečnostných štandardov EU a výrobo-spcifických štandardov. Pri zmene zariadenia, ktorá nebola odsúhlasená výrobcom stráca toto vyhlásenie platnosť.</p>
<p>GR Δήλωση Συμμόρφωσης προς τις Οδηγίες της ΕΕ Η υπογράφουσα Husqvarna AB, 561 82 Huskvarna, Sweden δηλώνει, ότι τα εξής αναφερόμενα εκδόσιμα από την εταιρία μας προϊόντα ανταποκρίνονται σε όλες τις εναρμονισμένες προδιαγραφές της ΕΕ, στα πρότυπα ασφαλείας της ΕΕ και στα ειδικά για το προϊόν πρότυπα. Σε μία μη συμφωνημένη με την εταιρία μας τροποποίηση των συσκευών αυτή η δήλωση χάνει την ισχύ της.</p>
<p>SLO EV-izjava o skladnosti Podpisani proizvajalec »Husqvarna AB, 561 82 Huskvarna, Sweden« s podpisom potrjuje, da sledeče opisana naprava, ki smo jo poslali na tržišče izpolnjuje zahteve harmoniziranih standardov ES-smernic, ES-varnostnih standardov in izdelku specifičnih standardov. V primeru spremembe na napravi brez našega pisnega dovoljenja ta izjava izgubi svoj pomen in veljavnost.</p>
<p>RO UE-Certificat de conformitate Prin prezenta Husqvarna AB, 561 82 Huskvarna, Sweden, certifica faptul ca, in momentul in care produsele mentionate mai jos ies din fabrica sunt in concordanta cu directivele UE, standardele de siguranta UE si standardele specifice ale produsului UE. Acest certificat devine nul in cazul modificarii aparatului fara aprobarea noastra.</p>
<p>BG ЕС-Декларация за съответствие Подписаната фирма Husqvarna AB, 561 82 Huskvarna, Sweden декларира, че описаните по-долу уреди, пуснати в продажба съгласно нашата спецификация, изпълняват изискванията на хармонизираните ЕС-директиви, ЕС-стандарти за безопасност и специфичните производствени стандарти. При промяна на уреда, която не е съгласувана с нас, тази декларация губи своята валидност.</p>
<p>EST ELI vastavusdeklaratsioon Allkirjutanu Husqvarna AB, 561 82 Huskvarna, Sweden kinnitab, et kirjeldatud seade vastab meie poolt riigiselle viidud kujul ELI harmoniseeritud direktiividele, ELI ohutusstandarditele ja tootea seotud standarditele. Meiega kooskõlastamata muudatused tegemise korral seadmel kaotab see deklaratsioon kehtivuse.</p>
<p>LT ES Atitikties deklaracija Pasirašanti firma Husqvarna AB, 561 82 Huskvarna, Sweden patvirtina, kad žemiau nurodyti prietaisai ir jų modeliai, kuriuos pakeidome ir apyvartą, patenkina harmonizuotas ES direktyvas, ES saugumo standartus ir specifinius gamintojo standartus. Atlikus bet koki prietaiso pakeitimą, kuris nėra suderintas su mumis, ši deklaracija praranda galiojimą.</p>
<p>LV ES-atbilstības deklarācija Parakstījis Husqvarna AB, 561 82 Huskvarna, Sweden, Vācijas apstiprina, ka sekojoši apzīmētās iekārtas, kuras mēs izplatām, savā izpildījumā atbilst harmonizētajām ES direktīvām, ES drošības standartiem un produkta specifiskajiem standartiem. Ar mūsu nepatiprinātām izmaiņām iekārtā šī deklarācija zaudē savu derīgumu.</p>

<p>Bezeichnung der Geräte: Description of the units: Désignation du matériel : Omschrijving van de apparaten: Produktbeskrivning: Beskrivelse af produktet: Laitteiden nimitys: Descrizione dei prodotti: Descripción de la mercancía: Descrição dos aparelhos: Nazwa urządzenia: A készülékek megnevezése: Označení přístrojů:</p>		<p>Tiefbrunnenpumpe Deep Well Pump Pompe de forage Dieptebronpomp Pump för djup brunn Dybbrøndspumpe Porakaivopumppu Pompa per pozzi Bomba para pozos profundos Bomba para poços profundos Pompa głębinowa Μέλυκυσζιβατύύ Čerpadlo pro čerpání vody z hlubokých studní Čerpadlo na čerpanie vody z hlbokých studní Αντλία βαθέων φρεάτων Črpalka za globoke vodnjake Pompă de presiune submersibilă Помпа за дълбоки кладенци Súvaveerpump Gilių šulinių siurblys Džilo aku sūkņis</p>		<p>Hinterlegte Dokumentation: GARDENA-Technische Dokumentation, E. Renn 89079 Ulm</p> <p>Deposited Documentation: GARDENA Technical Documentation, E. Renn 89079 Ulm</p> <p>Dokumentation déposée: Documentation technique GARDENA, E. Renn 89079 Ulm</p>	
<p>Označenie zariadenia:</p> <p>Όνομασία της συσκευής: Opis naprave: Descrierea articolelor: Обозначение на уредите: Seadmete nimetus: Prietaisų pavadinimas: Iekārtu apzīmējums:</p>		<p>Art.-Nr.: Cikkszám: Art. No.: Číslo artiklu: Référence : Art.: Art.nr.: Αριθ. είδους: Art.nr.: Art št.: Art. nr.: Nr art.: Tuoten:o Арт. номер: Art.: Toote nr : Art. No: Gaminio nr.: Art. no: Izstr.: Nr artykulu:</p>		<p>Anbringningsjahr der CE-Kennzeichnung: Year of CE marking: Année d'apposition du marquage CE : Installatiejaar van de CE-aanduiding: Märkningsår: CE-Mærkningsår: CE-merkin kiinnitysvuosi: Anno di applicazione della certificazione CE: Colocación del distintivo CE: Ano de marcação pela CE: Rok nadania oznakowania CE: CE-jelzés elhelyezésének éve: Rok umístění značky CE: Rok udelenia značky CE: Έτος σήματος CE: Leto namestitve CE-oznake: Anul de marcare CE: Година на поставяне на CE-маркировка: CE-märgistuse paigaldamise aasta: Metai, kuriais pažymėta CE-ženklui: CE-marķējuma uzlikšanas gads: 2010</p>	
<p>Typen: Típusok: Types: Typu: Types : Typ: Type: Τύποι: Typ: Tipi: Typen: Tipuri: Typit: Tipove: Tipi: Tüübid: Típos: Tipai: Tipos: Tipi: Typu:</p>		<p>5500/5 inox 1489 6000/5 inox 1492 6000/5 inox automatic 1499</p>		<p>Ulm, den 21.06.2010 Der Bevollmächtigte Ulm, 21.06.2010 Authorised representative Fait à Ulm, le 21.06.2010 Le mandataire Ulm, 21-06-2010 De gevolmachtigde Ulm, 2010.06.21. Auktoriserad representant Ulm, 21.06.2010 Autoriseret repræsentant Ulm, 21.06.2010 Valtuutettu edustaja Ulm, 21.06.2010 Persona delegata Ulm, 21.06.2010 La persona autorizada Ulm, 21.06.2010 O representante Ulm, dnia 21.06.2010 Pełnomocnik Ulm, 21.06.2010 Meghatalmazott Ulm, 21.06.2010 Zplnomocněnec Ulm, dňa 21.06.2010 Splnomocnený Ulm, 21.06.2010 Ο εξουσιοδοτημένος Ulm, 21.06.2010 Pooblaščenec Ulm, 21.06.2010 Conducerea tehnică Ulm, 21.06.2010 Упълномощен Ulm, 21.06.2010 Volitātd esindāja Ulm, 21.06.2010 Igalotasis atstovas Ulme, 21.06.2010 Pilnvarotā persona</p>	
<p>EU-Richtlinien: EU directives: Directives européennes : EU-richtlijnen: EU directiv: EU Retningslinier: EY-direktiivit: Directive UE: Normativa UE: Directrices da UE: Dyrektywy Unii Europejskiej: EU-irányelvek: Směrnice EU:</p>		<p>EU-Predpisy: Οδηγίες της ΕΕ: ES-smernice: Directive UE: EC-директиви: EU direktiivid: ES direktīvyos: ES-direktīvas:</p>		<p>2006/42/EG 2006/95/EG 2004/108/EG</p>	
<p>Harmonisierte EN:</p> <p>DIN EN ISO 12100 EN 60335-1: 2002 A1, A2, A11, A12, A13 EN 60335-2-41:2003 A1</p>		<p>A. Disch Vice President Category Watering</p>			

Deutschland / Germany

GARDENA
Manufacturing GmbH
Central Service
Hans-Lorenser-Str. 40
89079 Ulm
Produktfragen:
(+49) 731 490-123
Reparaturen:
(+49) 731 490-290
service@gardena.com

Argentina

Husqvarna Argentina S.A.
Vera 745
(C1414A00) Buenos Aires
Phone: (+ 54) 11 4858-5000
diego.poggi@ar.husqvarna.com

Australia

Husqvarna Australia Pty. Ltd.
Locked Bag 5,
Central Coast BC, NSW 2252
Phone: 0061 24352 7400
customer.service@husqvarna.com.au

Austria / Österreich

Husqvarna Austria GmbH
Consumer Products
Industriezeile 36
4010 Linz
Phone: (+43) (0) 732/77 01 01-90
consumer.service@husqvarna.at

Belgium

GARDENA Belgium NV/SA
Leuvensesteenweg 555 b10
1930 Zaventem
Phone: (+32) 27 20 921 2
info@gardena.be

Brazil

Palash Importação e Comércio Ltda
Rua São João do Araguaia, 338
Barueri – SP – CEP: 06409-060
Phone: (+55) 11 4198-9777
eduardo@palash.com.br

Bulgaria

Husqvarna Bulgaria Eood
72 Andrey Ljapchev Blvd.
1799 Sofia
Phone: 02/9 75 30 76

Canada

GARDENA Canada Ltd.
100 Summerlea Road
Brampton, Ontario L6T 4X3
Phone: (+1) 905 792 93 30
info@gardenacanada.com

Chile

Garden Chile S.A.
San Sebastián 2839
Ofic. 701 A
Las Condes - Santiago de Chile
Phone: (+56) 2 20 10 708
garfar_cl@yahoo.com

Costa Rica

Compania Exim
Euroiberoamericana S.A.
Apto Postal 1260
San José
Phone: (+506) 223 20 75
exim_euro@racsa.co.cr

Croatia

SILK ADRIA d.o.o.
Josipa Lončara 3
10090 Zagreb
Phone: (+385) 1 3794 580
silk.adria@zg.t-com.hr

Cyprus

FARMOKIPIKI LTD
P.O. Box 7098
74, Digeni Akrita Ave.
1641 Nicosia
Phone: (+357) 22 75 47 62
condam@spidernet.com.cy

Czech Republic

Husqvarna Česko s.r.o.
Türkova 2319/5b
149 00 Praha 4 – Chodov
Bezplatná infolinka: 800 100 425
servis@cz.husqvarna.com

Denmark

GARDENA
Husqvarna Consumer Outdoor Products
Salgsafdelning Danmark
Box 9003
200 39 Malmö
info@gardena.dk

Estonia

Husqvarna Eesti OÜ
Consumer Outdoor Products
Kesk tee 10, Aaviku küla
Rae vald, Harju maakond 75305
kontakt.etj@husqvarna.ee

Finland

Oy Husqvarna Ab
Consumer Outdoor Products
Lautatarhankatu 8 B / PL 3
00581 HELSINKI
info@gardena.fi

France

Husqvarna France S.A.S.
9 – 11 allée des Pierres Mayettes
ZAC des Barbannières
B.P. 99
92232 Gennevilliers cedex
Phone: (+33) 01 40 85 30 40
service.consommateurs@gardena.fr

Great Britain

Husqvarna UK Ltd
Preston Road
Aycliffe Industrial Park
Newton Aycliffe
Co Durham
DL5 6UP
info.gardena@husqvarna.co.uk

Greece

HUSQVARNA ΕΛΛΑΣ Α.Ε.Β.Ε.
Υπόμ. Ηφαίστου 33Α
Β. Πε. Κορωπίου
19 400 Κορωπί Αττικής
Phone: (+30) 210 6620225 – 6
service@agrokkip.gr

Hungary

Husqvarna
Magyarország Kft.
Ezred u. 1 – 3
1044 Budapest
Phone: (+ 36) 80 20 40 33
gardena@gardena.hu

Iceland

Ó. Johnson & Kaaber
Tunguhalsi 1
110 Reykjavik
ooj@ojk.is

Ireland

McLoughlins RS
Unit 5
Norther Cross Business Park
North Road, Finglas
Dublin 11

Italy

Husqvarna Italia S.p.A.
Via Como, 72
23868 Valmadrera (LC)
Phone: (+39) 0341.203.111
info@gardenaitalia.it

Japan

KAKUICHI co., Ltd.
Sumitomo Realty & Development
Kojimachi
BLDG., 8F
5 – 1 Nibanncyo, chiyoda-ku,
Tokyo 102-0084
Phone: (+81)-(0)3-3264-4721
m_ishihara@kaku-ichi.co.jp

Latvia

SIA „Husqvarna Latvija“
Consumer Outdoor Products
Bākūzu iela 6, Rīga, LV-1024
info@husqvarna.lv

Lithuania

UAB Husqvarna Lietuva
Consumer Outdoor Products
Ateities pl. 77C
LT-52104 Kaunas
centras@husqvarna.lt

Luxembourg

Magasins Jules Neuberg
39, rue Jacques Stas
Luxembourg-Gasperich 2549
Case Postale No. 12
Luxembourg 2010
Phone: (+352) - 40 14 01
api@neuberg.lu

Netherlands

GARDENA Nederland B.V.
Postbus 50176
1305 AD ALMERE
Phone: (+31) 36 521 00 00
info@gardena.nl

Neth. Antilles

Jonka Tuincentrum
Sta. Rosa Weg 196
P.O. Box 8200
Curaçao
Phone: (+599) 9 767 66 55
pgm@jonka.com

New Zealand

Husqvarna New Zealand Ltd.
PO Box 76437
Manukau City 2241
Phone: 0064 9 9202410
sales.nz@husqvarna.co.nz

Norway

GARDENA
Husqvarna Consumer Outdoor Products
Salgskontor Norge
Kieverveien 6
1540 Vestby
info@gardena.no

Poland

Husqvarna Poland Sp. z o.o.
ul. Wysockiego 15 B
03-371 Warszawa
Phone: (+48) 22 330 96 00
gardena@gardena.pl

Portugal

Husqvarna Portugal SA
Sintra Business Park
Edifício 1 · Fracção 0 G
Abrunheira
2710-089 Sintra
info@gardena.pt

Romania

MADEX INTERNATIONAL SRL
Șoseaua Odăii 117 – 123
Sector 1, București,
RO 013603
Phone: (+40) 21 352-7603 / 4 / 5 / 6
madex@gardena.ro

Russia / Россия

000 «Husqvarna»
Leningradskaya street, vladenie 39
Khimki Business Park
Building 2, 4th floor
141400 Moscow Region, Khimki
Phone: +7 (495) 797 26 70

Singapore

HY-RAY PRIVATE LIMITED
40 Jalan Pemimpin
#02-08 Tat Ann Building
Singapore 577185
Phone: (+65) 6253 2277
shiyng@hyray.com.sg

Serbia

Domel d.o.o.
Autoput za Novi Sad bb
11273 Belgrade
Phone: (+381) 11 84 888 12
miroslav.jejina@domel.rs

Slovakia

Husqvarna Česko s.r.o.
T – L s.r.o.
Fedínová 6 – 8
851 01 Bratislava
Bezplatná infolinka: 800 154 044
servis@sk.husqvarna.com

Slovenia

GARDENA d.o.o.
Brodšče 15
1236 Trzin
Phone: (+386) 1 580 93 32
servis@gardena.si

South Africa

GARDENA
South Africa (Pty.) Ltd.
P.O. Box 11534
Vorna Valley 1686
Phone: (+27) 11 315 02 23
sales@gardena.co.za

Spain

Husqvarna Espana S.A.
C/Basauri, nº 6
La Florida
28023 Madrid
Phone: (+34) 91 708 05 00
(4 líneas)
atencioncliente@gardena.es

Sweden

GARDENA
Husqvarna Consumer Outdoor Products
Försäljningskontor Sverige
Box 9003
20039 Malmö
info@gardena.se

Switzerland / Schweiz

Husqvarna Schweiz AG
Consumer Products
Industriestrasse 10
5506 Mägenwil
Phone: +41 (0) 62 887 37 00
info@gardena.ch

Turkey

GARDENA Dost Diş Ticaret
Mümesillik A.Ş.
Sanayi Çad. Adil Sok. No. 1
34873 Kartal – Istanbul
Phone: (+90) 216 38 93 939
info@gardena-dost.com.tr

Ukraine / Україна

ТОВ «Хускварна Україна»
Васильківська, 34, 204-Г
03022, Київ
Тен.: (+38 044) 498 39 02
info@gardena.ua

USA

GARDENA Canada Ltd.
100 Summerlea Road
Brampton, Ontario L6T 4X3
Phone: (+1) 905 792 93 30
info@gardenacanada.com

1489-20.960.06/0711

© GARDENA Manufacturing GmbH
D-89070 Ulm
http://www.gardena.com