

Art. 1820

- E Manual de instrucciones**
Temporizador de riego electrónico C 14 e
-
- P Instruções de utilização**
Relógio electrónico de Rega C 14 e
-
- D Betriebsanleitung**
Bewässerungsuhr electronic C 14 e
-
- GB Operating Instructions**
Water Timer Electronic C 14 e
-
- PL Instrukcja obsługi**
Sterownik nawadniania electronic C 14 e
-
- RO Instrucțiuni de utilizare**
Programator de udat electronic C 14 e
-
- H Használati utasítás**
C14 e elektronikus vízprogramozó óra

Contenido	Página
Conteúdo	Página
Inhalt	Seite
Contents	Page
Treść	Strona
Continutul	Paginile
Tartalomjegyzék	Oldal

E

Manual de instrucciones	4 - 12
Garantía	69

P

Instruções de utilização	13 - 21
Garantia	69

D

Betriebsanleitung	22 - 32
Garantie	70

GB

Operating Instructions	33 - 41
Guarantee	70

PL

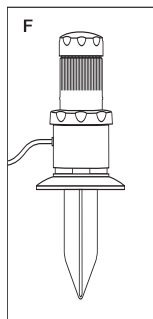
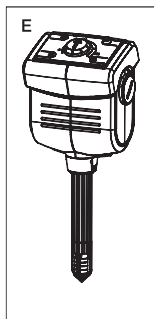
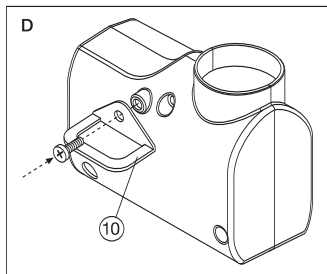
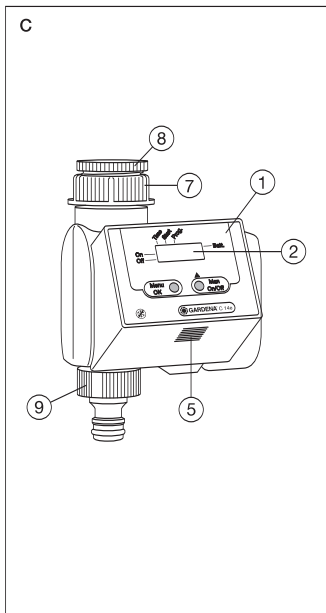
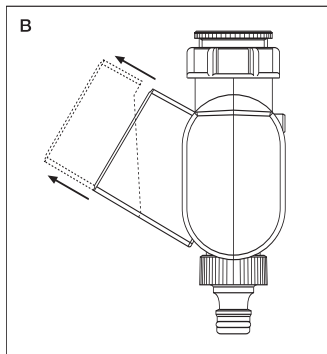
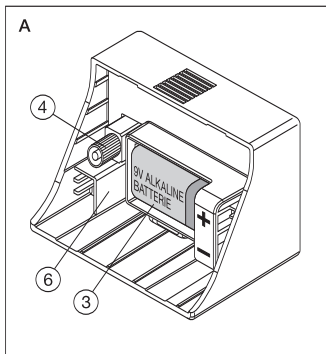
Instrukcja obsługi	42 - 50
Gwarancja	71

RO

Instrucțiuni de utilizare	51 - 59
Garanție	71

H


Használati utasítás	60 - 68
Garancia	72



Water Timer Electronic C 14 e

1. Notes on these Operating Instructions


Translation of the original instructions from German. Please read these operating instructions carefully and observe the notes given. Use these operating instructions to familiarise yourself with the Water Timer, the unit's features and proper use as well as with the notes on safety.

 **For safety reasons, children and young people under 16 as well as anyone who is not familiar with these operating instructions may not use the Water Timer. Persons with reduced physical or mental abilities may use the product only if they are supervised or instructed by a responsible person.**

Keep these operating instructions in a safe place.

2. Proper Use

The GARDENA Water Timer Electronic C 14 e is suitable and determined for private use in domestic and hobby gardens, exclusively for outdoor use, to control sprinklers and watering systems.

 **The Water Timer must not be used for industrial purposes or in conjunction with chemicals, foodstuffs, easily flammable and explosive materials.**

Compliance with the operating instructions provided by the manufacturer is a prerequisite to ensure proper use of the GARDENA Water Timer Electronic.

The operating instructions also contain operating, servicing and maintenance conditions.

3. Technical Data

Operating pressure:	1 - 12 bar
Flow medium:	clean fresh water
Max. water temperature:	40 °C
Watering cycles:	14
Battery:	1 × 9 V alkali-manganese (alkaline) type IEC 6LR61
Service life of the battery:	approx. 1 year

4. How the Water Timer Electronic Works

This GARDENA Water Timer Electronic C 14 e allows you to set different watering cycles for different watering times independent of whether you are using a sprinkler, a sprinkler system installation or a drip-head watering system to water your garden.

Your Water Timer Electronic will water your garden completely automatically according to the program you choose. You can set the timer to water your garden early in the morning or late at night when water evaporates the least, or while you are on holiday.

5. Operating Parts

- ① Control unit
- ② Display
- ③ Battery compartment
- ④ Connection plug for control unit
- ⑤ Release button for control unit
- ⑥ Connection for Soil Moisture Sensor / Rain Sensor
- ⑦ Sleeve nut

Accompanying accessories

- ⑧ G $\frac{3}{4}$ adaptor for sleeve nut
- ⑨ GARDENA threaded tap connector

Option

- ⑩ Anti-theft protection

6. Preparation for Use

Before you use your Water Timer Electronic you must:

1. Insert the battery
2. Connect the Water Timer Electronic to the tap
3. Set the watering program

6.1 Inserting the Battery (Fig. A)

1. Remove the control unit ① from the housing of the Water Timer by pressing the release button ⑤ (see Fig. B/C).
2. Insert the battery (only use a 9 V alkaline battery) in the battery compartment (Fig. A).

- Note:** When inserting the battery pay attention to the **+/- markings**.
3. Reattach the control unit to the housing.

6.2 Connecting the Water Timer to the Tap (Fig. C)

The Water Timer is fitted with a sleeve nut for taps with a **33.3 mm (G1)** thread.

Adaptor for G 3/4 thread (26.5 mm)

The adaptor supplied allows the Water Timer to be connected to taps with a G 3/4 thread (26.5 mm). If you are using the adaptor, screw **the adaptor onto the tap** before screwing the Water Timer onto the adaptor.

Warning! Attach and screw on manually. Do not use pliers!

6.3 Function Keys and Display (Fig. C)

Note: The Water Timer control unit ① can be removed (Fig. B). This allows you to set the watering program somewhere other than where the Water Timer is to be used.

Menu-O.K.

→ Changes to the next stage of the program. Simultaneously accepts and confirms the data you have entered using the **man.** key.

On/Off-man.

→ Used to change the individual data (e.g. counting hours, minutes, ...)

→ To switch a connected watering system on and off manually.

LCD Display

Note:

- In the entry mode the corresponding display flashes.
- At high temperatures (over 60 °C at the display) the LCD may extinguish. This has no effect on the program sequence. Once the LCD display cools down, the display will appear again.

On

Status display – The connected watering system is active.

Off

Status display – The connected watering system is inactive.

Time (current time)

→ In the programming mode: Hours – Hours of the current time
 Minutes – Minutes of the current time

Start

→ Starting time; when the watering system becomes active.

Hours – Hour when devices become active

Minutes – Minutes when devices become active

Cycle

Displays selected program.

6.4 Programming

Entering the Current Data

1. Press the **O.K.** key
→ the hours (Time) start flashing.
2. You can enter the time using the **man.** key, e.g. 9:00.
3. Use the **O.K.** key to confirm the hour you have entered and to allow you to enter the minutes.
4. Select the minutes using the **man.** key, e.g. 23.
5. Confirm your entry by pressing the **O.K.** key and switch to the starting time.

Entering the Starting Time

1. Use the **man.** key to enter the hours of the starting time, e.g. 7.
Then press the **O.K.** key to confirm your entry and to enter the minutes.
2. Once again, use the **man.** key to set the minutes of the starting time, e.g. 30.
Confirm your entry by pressing the **O.K.** key. You can now choose your program.

Active Program

1. Choose a program listed in the section "Program Overview". Press the **man.** key repeatedly until the program number you require appears on the display.

Note: With the combination 00 ("Stand-by") no program is active.

2. Confirm your selection by pressing the **O.K.** key.

→ You have now successfully programmed your Water Timer. The current time now appears on the display.

Note

- You can jump to the next program level at any time during the programming sequence by pressing the **O.K.** key (current time, starting time, program number). The set data is then simultaneously accepted.
- If you do not enter data within 120 seconds, you automatically leave the programming mode and the LCD shows the current time (normal display). Any changes you have made previously are applied.
- You have now successfully programmed your Water Timer. Your garden will now be watered automatically at the programmed times.

Display During Active Time

Example:

- The current time is 8:45 am
- **On** is lit; this means watering is in progress (active)
- The double dots between the hours and minutes of the time are flashing; this means the clock is running.

You can start or end the watering prematurely at any time by pressing the **man.** key. The watering time is then 30 minutes.

Read/Change Program

To check the data, you can repeatedly press the **O.K.** key to run through the program levels. The levels are selected and checked consecutively. This does not interrupt the current program cycle.

To change the data, proceed as described above.

Program Overview

Program number	Cycle	Duration
00	No program active	
01	6 hours (4 times daily)	3 minutes
02	12 hours (twice daily)	3 minutes
03	12 hours (twice daily)	15 minutes
04	24 hours (once a day)	3 minutes
05	24 hours (once a day)	5 minutes
06	24 hours (once a day)	30 minutes
07	24 hours (once a day)	1 hour
08	2 days	5 minutes
09	2 days	30 minutes
10	2 days	1 hour
11	3 days	30 minutes
12	3 days	1 hour
13	7 days	1 hour
14	7 days	2 hours

Manual, programming-independent On/Off (man.)

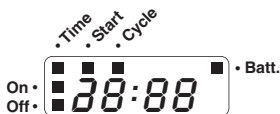
Before and after entering data, you can operate the GARDENA Water Timer electronic C 14 e manually, independent of the programmed data. To do this, press the **man.** key.

Press the **MAN** key once to activate watering for a maximum of 30 minutes (LCD: **On**). Press the **man.** key again to end watering.

7. Changing the Battery / Testing the Battery



To ensure the Water Timer runs safely, only a 9 V alkali-manganese battery (alkaline) type IEC 6LR61 must be used.



If the battery voltage falls below a **certain level** the **Batt.** indicator appears. It is possible to initiate watering manually even if the battery capacity is too low (valve no longer opens), but programmed watering times, however, are not initiated.

Even if the **battery capacity is too low** to run a program, if the valve is open it will be closed.

The battery voltage is tested **between the opening and the closing pulse**. In this way you can test the capability of the battery **at any time**. To do this, press two times the **On/Off-man.** key. If the valve closes and the **Batt.** indicator does not appear then the battery is functioning. If the display disappears and only the **Batt.** indicator is visible, the battery has to be changed.



Previously set data is lost when replacing the battery. Program the Water Timer subsequently again.

For notes on changing the battery see "Inserting the Battery".

Hint! Please return the flat battery to a GARDENA dealer or dispose of it properly at your nearest recycling centre. Only dispose of battery **when it is flat**.

8. Notes on Safety and Operation

- The minimum water output to ensure that the Water Computer functions correctly is 20- 30 l/h.
For example, at least 10 x 2-litre Drip Heads are required to control the Micro-Drip-System.
- To prevent water penetrating the battery compartment the Water Timer must only be mounted in a perpendicular position with the sleeve nut pointing upwards.
- Program the Water Timer with the tap turned off. In this way you can avoid getting wet when trying out the manual On/Off function. You can remove the control unit from the housing to program the Water Timer.
- The Water Timer must only be used outdoors.
Warning! The Water Timer must not be used indoors.

- The Water Timer must be stored in a dry place away from frost before the frosty season begins.
- The max. temperature for the water flow is 40 °C.
- The minimum operating pressure is 1 bar, the maximum operating pressure is 12 bar.
- Check the filter in the sleeve nut ⑦ regularly and clean if necessary.
- Avoid tensile strain. Do not pull the hose connected to the Water Timer Electronic.
- Only use clear fresh water.

9. Anti-Theft Protection (Fig. D)

To protect your Water Timer against theft, the GARDENA anti-theft protection ⑩ (1815-00.791.00) is available at GARDENA Service. The bracket on the anti-theft protection is fitted onto the back of the unit. Note that the screw included cannot be loosened once it has been screwed in. The bracket can be used, for example, to attach a chain.

10. GARDENA Soil Moisture Sensor (Fig. E)

Together with the GARDENA Soil Moisture Sensor (Art. No. 1188) watering is controlled considering the soil moisture.

Assembly

The Soil Moisture Sensor is connected to the connection socket ⑥ on the back of the control unit (Fig. A).

How it works

If the connected Soil Moisture Sensor indicates there is sufficient moisture then the watering program is either interrupted or not initiated.

Note: Manual watering (function **On/Off-man.**) is still possible.

11. GARDENA Rain Sensor (Fig. F)

Together with the GARDENA Rain Sensor (Art. No. 1189) watering is controlled considering natural precipitation.

Assembly

The Rain Sensor, as an alternative to the Soil Moisture Sensor, can be connected to the connection socket ⑥ on the back of the control unit (Fig. A).

How it works

If the connected Rain Sensor indicates an appropriate amount of rain, the watering program is interrupted or not initiated.

Note: Manual watering (function **On/Off-man.**) is still possible.

12. Faults

Fault	Possible Cause	Remedy
Not able to open the Water Timer using the “On/Off-man.” function	Battery power too low.	Insert a new alkaline battery .
	Tap turned off.	Turn on tap.
Watering not initiated	Battery power too low.	Insert a new alkaline battery .
	Data input / changes made while the program was starting or immediately before.	Input data or make changes before or after the starting times you have chosen.
	Tap turned off.	Turn on tap.
	Soil Moisture Sensor or Rain Sensor indicate sufficient moisture.	If dry, check setting/ position of the Soil Moisture Sensor or Rain Sensor.
Battery flat after working for a short time	Not an alkaline battery.	Use an alkaline battery .

If you have any problems with your Water Timer Electronic, please contact our Customer Service or return the defective unit together with a short description of the problem directly to one of the GARDENA Service Centres listed on the back of this leaflet.

If covered under warranty, please include a copy of the receipt.



Disposal: (in accordance with RL2002/96/EC)

The product must not be added to normal household waste. It must be disposed of properly.

Please return flat batteries to a GARDENA dealer or dispose of them properly at your nearest recycling centre. Only dispose of batteries when they are **flat**.

We expressly point out that, in accordance with the product liability law, we are not liable for any damage caused by our units if it is due to improper repair or if parts exchanged are not original GARDENA parts or parts approved by us, and, if the repairs were not carried out by a GARDENA Service Centre or an authorised specialist. The same applies to spare parts and accessories.

EU Certificate of Conformity

The undersigned

Husqvarna AB, 561 82 Huskvarna, Sweden

hereby certifies that, when leaving our factory, the unit indicated below is in accordance with the harmonised EU guidelines, EU standards of safety and product specific standards.

This certificate becomes void if the unit is modified without our approval.

Description of the unit:

Water Timer Electronic

Year of CE marking:

1999

Type: C 14 e

Ulm, 01.09.1999

Art. No.: 1820

EU directives:

Electromagnetic Compatibility

2004/108/EC

Directive 93/68/EC



Thomas Heint

Technical Dept. Manager

D

Garantie

GARDENA gewährt für dieses Produkt 2 Jahre Garantie (ab Kaufdatum). Diese Garantieleistung bezieht sich auf alle wesentlichen Mängel des Gerätes, die nachweislich auf Material- oder Fabrikationsfehler zurückzuführen sind. Sie erfolgt durch die Ersatzlieferung eines einwandfreien Gerätes oder durch die kostenlose Reparatur des eingesandten Gerätes nach unserer Wahl, wenn folgende Voraussetzungen gewährleistet sind:

- Das Gerät wurde sachgemäß und laut den Empfehlungen in der Gebrauchsanweisung behandelt.
- Es wurde weder vom Käufer noch von einem Dritten versucht, das Gerät zu reparieren.

Defekte an der Bewässerungsuhr durch falsch eingelegte oder ausgelaufene Batterien sind von der Garantie ausgeschlossen.

Diese Hersteller-Garantie berührt die gegenüber dem Händler/Verkäufer bestehenden Gewährleistungsansprüche nicht.

Im Garantiefall schicken Sie bitte das defekte Gerät zusammen mit einer Kopie des Kaufbelegs und einer Fehlerbeschreibung per Abhol-Service (nur in Deutschland) oder frankiert an die auf der Rückseite angegebene Serviceadresse.

Unfreie Paketeinsendungen werden im Postverteilstützpunkt ausgefiltert und erreichen uns nicht.

Nach erfolgter Reparatur senden wir das Gerät frei an Sie zurück.

GB

Guarantee

GARDENA guarantees this product for 2 years (from date of purchase). This guarantee covers all serious defects of the unit that can be proved to be material or manufacturing faults. Under warranty we will either replace the unit or repair it free of charge if the following conditions apply:

- The unit must have been handled properly and in keeping with the requirements of the operating instructions.
- Neither the purchaser or a non-authorized third party have attempted to repair the unit.

Defects in the Water Timer attributable to batteries which have been incorrectly installed or are leaking are excluded from the warranty provisions.

This manufacturer's guarantee does not affect the user's existing warranty claims against the dealer/seller.

If covered under warranty, please contact our Customer Service or return the defective unit together with a short description of the problem and a copy of the receipt directly to one of the GARDENA Service Centres listed on the back of this leaflet.

Deutschland / Germany

GARDENA GmbH
Central Service
Hans-Lorenser-Straße 40
D-89079 Ulm
Produktfragen:
(+49) 731 490-123
Reparaturen:
(+49) 731 490-290
service@gardena.com

Albania

COBALT Sh.p.k.
Rr. Siri Kodra
4000 Tirana

Argentina

Husqvarna Argentina S.A.
Vera 745
(C1414A00) Buenos Aires
Phone: (+54) 11 4858-5000
diego.poggi@
ar.husqvarna.com

Australia

Husqvarna Australia Pty. Ltd.
Locked Bag 5
Central Coast BC
NSW 2252
Phone: (+61) (0) 2 4352 7400
customer.service@
husqvarna.com.au

Austria / Österreich

Husqvarna Austria GmbH
Consumer Products
Industriezeile 36
4010 Linz
Tel.: (+43) 732 77 01 01 - 90
consumer.service@
husqvarna.at

Belgium

GARDENA Belgium NV/SA
Sterrebeekstraat 163
1930 Zaventem
Phone: (+32) 2 7 20 92 12
Mail: info@gardena.be

Bosnia / Hercegovina

SILK TRADE d.o.o.
Industrijska zona Bukva bb
74260 Tešanj

Brazil

Palash Comércio e
Importação Ltda.
Rua São João do
Araguaia, 338
- Jardim Califórnia -
Barueri - SP - Brasil -
CEP 06409-060
Phone: (+55) 11 4198-9777
eduardo@palash.com.br

Bulgaria

Хускварна България ЕООД
Бул. „Андрей Ляпчев“ № 72
1799 София
Тел.: (+359) 02/9753076
www.husqvarna.bg

Canada / USA

GARDENA Canada Ltd.
100 Summerlea Road
Brampton, Ontario L6T 4X3
Phone: (+1) 905 792 9330
info@gardenacanada.com

Chile

Antonio Martinic y Cia Ltda.
Cassillas 272
Centro de Cassillas
Santiago de Chile
Phone: (+56) 2 20 10 708
garfar_cl@yahoo.com

Costa Rica

Compania Exim
Euroiberoamericana S.A.
Los Colegios, Moravia,
200 metros al Sur del Colegio
Saint Francis - San José
Phone: (+506) 297 68 83
exim_euro@racsa.co.cr

Croatia

SILK ADRIA d.o.o.
Josipa Lončara 3
10090 Zagreb
Phone: (+385) 1 3794 580
silk.adria@zg.t-com.hr

Cyprus

FARMOKIPIKI LTD
P.O. Box 7098
74, Digeni Akrita Ave.
1641 Nicosia
Phone: (+357) 22 75 47 62
condam@spidernet.com.cy

Czech Republic

Husqvarna Česko s.r.o.
Türkova 2319/5b
149 00 Praha 4 - Chodov
Bezplatná infolinka:
800 100 425
servis@cz.husqvarna.com

Denmark

GARDENA
Husqvarna Consumer
Outdoor Products
Salgsafdelning
Danmark
Box 9003
S-200 39 Malmö
info@gardena.dk

Estonia

Husqvarna Eesti OÜ
Consumer Outdoor Products
Kesk tee 10, Aaviku küla
Rae vald
Harju maakond
75305 Estonia
kontakt.etj@husqvarna.ee

Finland

Oy Husqvarna Ab
Consumer Outdoor Products
Lautatarhankatu 8 B / PL 3
00581 HELSINKI
info@gardena.fi

France

GARDENA France
Immeuble Exposial
9-11 allée des Pierres Mayettes
ZAC des Barbanniers, B.P. 99
-F- 92232 GENNEVILLIERS
cedex
Tél. (+33) 01 40 85 30 40
service.consommateurs@
gardena.fr

Great Britain

Husqvarna UK Ltd
Preston Road
Aycliffe Industrial Park
Newton Aycliffe
County Durham
DL5 6UP
info.gardena@husqvarna.co.uk

Greece

HUSQVARNA ΕΛΛΑΣ Α.Ε.Β.Ε.
Υπ/μα Ηφαίστου 33Α
Βι. Πε. Κορωπίου
194 00 Κορωπί Αττικής
V.A.T. EL094094640
Phone: (+30) 210 66 20 225
info@husqvarna-consumer.gr

Hungary

Husqvarna Magyarország Kft.
Ezred u. 1-3
1044 Budapest
Telefon: (+36) 1 251-4161
vevoszolgalat.husqvarna@
husqvarna.hu

Iceland

Ó. Johnson & Kaaber
Tunguhalsi 1
110 Reykjavik
ooj@ojk.is

Ireland

McLoughlin's RS
Unit 5,
Northern Cross Business Park
North Road, Finglas
Dublin 11

Italy

GARDENA Italia S.p.A.
Via Santa Vecchia 15
23868 VALMADRERA (LC)
Phone: (+39) 0341.203.111
info@gardenaitalia.it

Japan

KAKUICHI Co. Ltd.
Sumitomo Realty &
Development Kojimachi
BLDG., 8F
5-1 Nibanncyo
Chiyoda-ku
Tokyo 102-0084
Phone: (+81) 33 264 4721
m_ishihara@kaku-ichi.co.jp

Latvia

Husqvarna Latvija
Consumer Outdoor Products
Bākūzu iela 6
LV-1024 Rīga
info@husqvarna.lv

Lithuania

UAB Husqvarna Lietuva
Consumer Outdoor Products
Ateities pl. 77C
LT-52104 Kaunas
centras@husqvarna.lt

Luxembourg

Magasins Jules Neuberger
39, rue Jacques Stas
Luxembourg-Gasperich 2549
Case Postale No. 12
Luxembourg 2010
Phone: (+352) 40 14 011
api@neuberger.lu

Netherlands

GARDENA Nederland B.V.
Postbus 50176
1305 AD ALMERE
Phone: (+31) 36 521 00 00
info@gardena.nl

Neth. Antilles

Jonka Enterprises N.V.
Sta. Rosa Weg 196
P.O. Box 8200
Curaçao
Phone: (+599) 9 767 66 55
pgm@jonka.com

New Zealand

Husqvarna New Zealand Ltd.
PO Box 76437
Manukau City 2241
Phone: (+64) (0) 9 9202410
support.nz@husqvarna.co.nz

Norway

GARDENA
Husqvarna Consumer
Outdoor Products
Salgskontor Norge
Kleverteien 6
1540 Vestby
info@gardena.no

Poland

Husqvarna Poland Spółka z o.o.
ul. Wysockiego 15 b
03-371 Warszawa
Phone: (+48) 22 727 56 90
gardena@gardena.pl

Portugal

GARDENA Portugal Lda.
Sintra Business Park
Edifício 1
Fracção 0-G
2710-089 Sintra
Phone: (+351) 21 922 85 30
info@gardena.pt

Romania

Madex International Srl
Soseaua Odaii 117-123,
RO 013603, București, S 1
Phone: (+40) 21 352.76.03
madex@ines.ro

Russia

ООО „Хускварна“
141400, Московская обл.,
г. Химки,
улица Ленинградская,
владение 39,
Химки Бизнес Парк,
Здание II, 4 этаж.

Serbia

Domel d.o.o.
Autoput za Novi Sad b.b.
11080 Beograd
Phone: (+381) 11 2772 204
miroslav.jejina@domel.co.yu

Singapore

Hu - Ray PRIVATE LIMITED
40 Jalan Pemimpin
#02-08 Tat Ann Building
Singapore 577185
Phone: (+65) 6253 2277
shiyang@hyray.com.sg

Slovak Republic

Husqvarna Česko s.r.o.
T - L s.r.o.
Fedinová 6 - 8
851 01 Bratislava
Bezplatná infolinka:
800 154 044
servis@sk.husqvarna.com

Slovenia

GARDENA d.o.o.
Brodišče 15
1236 Trzin
Phone: (+386) 1 580 93 32
servis@gardena.si

South Africa

GARDENA
South Africa (Pty.) Ltd.
P.O. Box 11534
Vorna Valley 1686
Phone: (+27) 11 315 02 23
sales@gardena.co.za

Spain

Husqvarna España S.A.
C/ Basauri, nº 6
La Florida
28023 Madrid
Phone: (+34) 91 708 05 00
atencioncliente@gardena.es

Sweden

Husqvarna AB
S-561 82 Huskvarna
info@gardena.se

Switzerland / Schweiz

Husqvarna Schweiz AG
Consumer Products
Industriestrasse 10
55006 Mägenwil
Phone: (+41) (0) 848 800 464
info@gardena.ch

Turkey

GARDENA Dost Diş Ticaret
Mümessillik A.Ş.
Sanayi Çad. Adil Sokak
No: 1/B Kartal
34873 Istanbul
Phone: (+90) 216 38 93 939
info@gardena-dost.com.tr

Ukraine / Україна

ТОВ «Хусварна Україна»
вул. Васильківська, 34,
офіс 204-г
03022, Київ
Тел. (+38) 044 498 39 02
info@gardena.ua

1820-29.960.12/0311
© GARDENA
Manufacturing GmbH
D-89070 Ulm
http://www.gardena.com