

6000/5 automatic Art. 1476

- | | | | |
|------------|---|------------|--|
| D | Betriebsanleitung
Tauch-Druckpumpe | PL | Instrukcja obsługi
Pompa zanurzeniowo-
ciśnieniowa |
| GB | Operating Instructions
Submersible Pressure Pump | H | Használati utasítás
Merülő-nyomó szivattyú |
| F | Mode d'emploi
Pompe immergée pour arrosage | CZ | Návod k použití
Ponorné tlakové čerpadlo |
| NL | Instructies voor gebruik
Dompel-drukvoerpomp | SK | Návod na použitie
Ponorné tlakové čerpadlo |
| S | Bruksanvisning
Dränkar Tryckpump | GR | Οδηγίες χρήσεως
Βυθιζόμενη αντλία πίεσης |
| DK | Brugsanvisning
Dyk-/trykpumpe | RUS | Инструкция по эксплуатации
Погружной нагнетательный
насос |
| FIN | Käyttöohje
Upporainerpumppu | SLO | Navodilo za uporabo
Potopna tlačna črpalka |
| N | Bruksanvisning
Nedsenkar trykkpumpe | HR | Upute za uporabu
Potopna tlačna crpka |
| I | Istruzioni per l'uso
Pompa sommersa a pressione | SRB | Uputstvo za rad |
| E | Manual de instrucciones
Bomba sumergible a presión | BIH | Uronjiva pumpa pod pritiskom |
| P | Instruções de utilização
Bomba submersível de pressão | UA | Інструкція з експлуатації
Заглибний насос високого тиску |
| | | RO | Instrucțiuni de utilizare
Pompa presiune submersibilă |
| | | TR | Kullanma Kılavuzu
Basınçlı Dalgıç Pompa |
| | | BG | Инструкция за експлоатация
Потопяема дълбочинна помпа |
| | | AL | Manual përdorimi
Pompë zhytëse me presion |
| | | EST | Kasutusjuhend
Uputus-survepump |
| | | LT | Ekspluatavimo instrukcija
Panardinamas slėginis siurblys |
| | | LV | Lietošanas instrukcija
Iegremdējams spiedienušūknis |

GARDENA Submersible Pressure Pump 6000/5 automatic

Welcome to the garden of GARDENA ...



Translation of the original instructions from German.
Please read these operating instructions carefully and observe the notes given.
Use the instructions to familiarise yourself with the submersible pressure pump, its correct use, and the notes on safety.



For safety reasons, children under 16 as well as persons not familiar with these operating instructions should not use this submersible pressure pump. Persons with reduced physical or mental abilities may use the hedge trimmer only if they are supervised or instructed by a responsible person.

→ Keep these operating instructions in a safe place.

Contents

1. Area of application of your GARDENA Submersible Pressure Pump	10
2. Safety instructions	11
3. Initial Operation	12
4. Operation	13
5. Putting into Storage	14
6. Maintenance	14
7. Trouble-Shooting	15
8. Technical Data	16
9. Accessories	16
10. Service / Warranty	17

1. Area of application of your GARDENA Submersible Pressure Pump

Intended use

The GARDENA Submersible Pressure Pump is intended for the private use in house and hobby gardens. It is intended for draining water from fountains, shafts and other water reservoirs or for operating irrigation equipment and systems.

Liquids to be pumped

The GARDENA Submersible Pressure Pump must only be used to pump water.

The pump is fully submersible (water-tight encapsulation) and is submerged in water (for max. submersion depth, see 8. Technical specifications).

The pump is equipped with an integrated check valve, which prevents automatic drainage of the pressure hose when the pump is shut down.

Please note



Corrosive, easily combustible or explosive substances (e.g. gasoline, petroleum, nitro thinner), fats, oils and food must not be pumped. The temperature of the liquid handled should not exceed 35 °C.

2. Safety instructions

Electrical Safety

According to DIN VDE (German Electrical Engineers' Association) 0100, submersible pressure pumps may only be used in swimming pools, garden ponds, and fountains if the pump is operated via a residual-current device with a residual-current rating of ≤ 30 mA.

The pump must not be operated when there are persons in the swimming pool or garden pond.

For safety reasons we recommend that you always operate the submersible pressure pump via a residual-current device (DIN VDE 0100-702 and 0100-738).

→ Please contact your electrician.

Mains connection lines must not be of inferior quality to the rubber hose lines with code number H07 RNF in accordance with DIN VDE 0620. The cable length must be at least 10 m.

When connecting the pump to the water supply system, the country-specific sanitary regulations must be observed to prevent water not of drinking water quality being drawn back in.

→ If necessary, contact your sanitary expert.

The power cable of the Submersible Pressure Pump must be connected to a socket which is positioned at a height of max. 1.10 m (measured from ground). Take care that the power cable leads downwards.

Data indicated on the type plate must match technical data of the mains supply.

→ Take care that the electrical connections are made within dry area, protected from flooding.

→ Keep mains plug dry.

Protect plug and power cable from heat, oil and sharp edges.



DANGER ! Electric shock !

With a cut off mains plug, moisture can get into electrical parts via the mains cable and cause a short circuit.

→ **Never cut the mains plug off (e.g. to feed through wall).**

→ Don't use the power cable for plugging off.

The power cable must not be used for mounting or relocating the pump.

For submerging or lifting/securing the pump, please use the fastening rope.

Extension cables must meet the requirements of DIN VDE 0620.

In Austria

In Austria, according to ÖVE B/EN 60 555 part 1 to 3, pumps which are used in swimming pools and garden ponds, and equipped with firm power cable should be fed via an ÖVE approved isolating transformer – rated voltage must not exceed 230 V.

In Switzerland

In Switzerland mobile appliances which are used outdoors, must be connected via a residual-current device.

Visual check

→ Before operating the pump, first make a visual check, if there is any damage of the pump (esp. regarding power cable and plug).

Please observe that the pump always have to be submerged at least 12 cm in water during operation.



DANGER ! Electric shock !

A damaged pump must not be used.

→ In case of damage, please have the pump checked by our GARDENA Service Centre.

Notes on use

Sand and other abrasive substances cause increased wear and reduce the pump's output.

3. Initial Operation

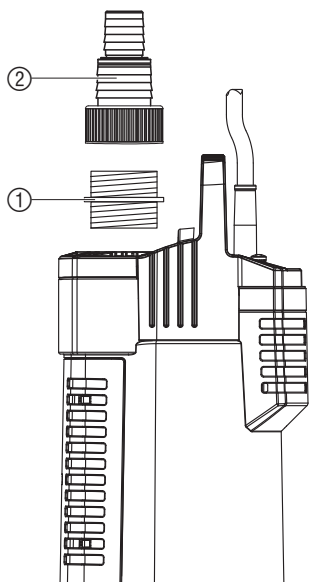
The hose can be connected via the pump connection piece ① and the connection nipple ② [19 mm (3/4") / 25 mm (1")] or via the GARDENA Connection System [13 mm (1/2") / 16 mm (5/8") / 19 mm (3/4)].

When using a 25 mm (1") hose, the pump has the maximum delivery capacity.

With a parallel connection of more than one hose or connected devices, the **GARDENA 2-/4-Way Valve (Art. 1210 / 1194)** can be used, which is screwed straight onto the pump connection piece ①.

Connect hose via connection nipple ② :

25 mm (1")- and 19 mm (3/4") hoses can be connected via the connection nipple.

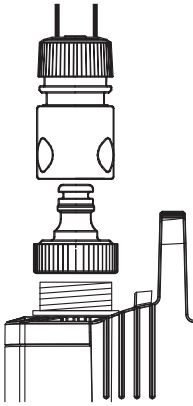


Hose diameter	19 mm (3/4")	25 mm (1")
GARDENA Hose Clamp	Art. 7191	Art. 7192
Hose connection	Do not detach nipple.	Detach nipple at ③. abtrennen.

25 mm (1")- and 19 mm (3/4") hoses connected with a connection nipple ② must be fastened, for example with a **GARDENA Hose Clamp Art. 7192 / 7191**.

1. Screw pump connection piece ① by hand into the outlet of the pump until the sealing ring fits snugly.
2. Screw connection nipple ② onto the pump. (With 25 mm (1") hoses, first disconnect the connection nipple ② at ③.)
3. Push hose onto the connection nipple and fix for example with a **GARDENA Hose Clamp Art. 7192 / 7191**.

Connect hose via the GARDENA Connection System:



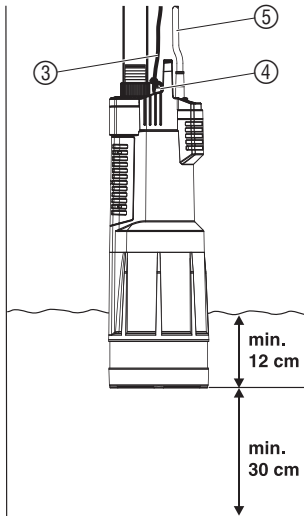
19 mm (3/4") - / 16 mm (5/8") and 13 mm (1/2") hoses can be connected via the GARDENA Connection System.

Hose diameter	Pump connection	
13 mm (1/2")	GARDENA Pump Connection Set	Art. 1750
16 mm (5/8")	GARDENA Tap Connector	Art. (2)902
	GARDENA Hose Connector	Art. (2)916
19 mm (3/4")	GARDENA Pump Connection Set	Art. 1752

1. Screw pump connection piece ① by hand into the outlet of the pump until the sealing ring fits snugly.
2. Connect hose via the relevant GARDENA Connection System.

4. Operation

Pump water in automatic mode:



The pump must always be submerged in the fountain or water reservoir with the rope provided. For the pump to be primed, the pump must be submerged at least 12 cm. So that the filter does not become dirty, the pump should be fixed at least 30 cm above the ground.

1. Attach fastening rope ③ to the lug ④.
2. Submerge pump in the fountain or water reservoir via the fastening rope ③.
3. Secure fastening rope ③.
4. With deep fountains or shafts (from approx. 5 m), route the connection cable ⑤ along the fastening rope ③ with clips.
5. Plug the mains plug of the connection cable ⑤ into a mains socket.
*The pump starts 3 secs. after connecting the connection cable.
 The pump is then ready for operation.*

Automatic mode:

The pump pumps and switches off automatically as soon as no more water is drawn. Due to the check valve, the pressure is maintained in the hose until water is drawn via the hose. When water is drawn via the hose (the pressure in the hose falls below 2.6 bar), the pump switches on automatically.

Dry run protection (flow control):

The pump switches off automatically when there is no fluid pumped. The pump operates in cycles 30 secs. on – 5 secs. off (4x). This cycle is repeated in 1 hr, 5 hrs, 24 hrs, 24 hrs... .
 The pump is operational again as soon as the pump is submerged at least 12 cm in the water again.

Flow control:

The flow control switches off automatically as soon as no more water is drawn. In the event of leakage on the pressure side (e.g. leaking pressure hose or tap) switches the pump on and off at short intervals. If the pump is switched on and off more frequently than 7 x in 2 min. (with a leakage < 6 l/hr), the pump switches off completely. When the leakage on the pressure side is eliminated, the pump must be unplugged and plugged in again in order to be operational again.

Stop valve:

The integrated stop valve closes as soon as no more water is drawn.

Thermal protection switch:

In the event of an overload, the pump is switched off by the built-in thermal motor protection. After sufficient cooling of the motor, the pump is operational again.

5. Putting into Storage

Frost-free storage:

→ Store the pump away from frost before the first frost sets in.

Disposal:

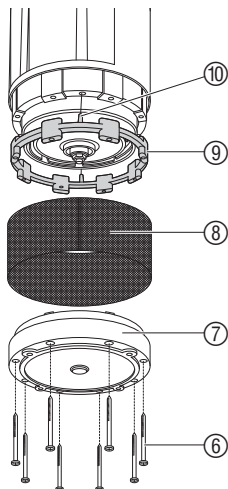
(in accordance with
RL2002/96/EC)



The product must not be added to normal household waste. It must be disposed of in line with local environmental regulations.

→ Important: Make sure that the unit is disposed of via your municipal recycling collection centre.

6. Maintenance

Clean inlet filter and suction foot:**DANGER! Electric shock!**

There is a risk of injury from electric shocks.

→ Before maintenance, disconnect the submersible pressure pump from the mains.

1. Turn out the 8 screws ⑥ with a screwdriver.
2. Remove the suction foot ⑦ from the pump.
3. Remove the inlet filter ⑧ and the spacer ring ⑨ from the pump.
4. Clean the suction foot ⑦, inlet filter ⑧ and the spacer ring ⑨.
5. Place the spacer ring ⑨ onto the pump in such a way that tab ⑩ fits into the hole in the pump.
6. Put the inlet filter ⑧ onto the pump.
7. Put the suction foot ⑦ onto the pump and screw in the 8 screws ⑥.

For safety reasons, a damaged turbine must only be replaced by GARDENA Service.



DANGER ! Electric shock!

There is a risk of injury from electric shocks.

→ Before eliminating faults, disconnect the submersible pressure pump from the mains.

Fault	Possible cause	Remedy
The pump does not deliver any water	Air cannot escape as the pressure line is closed.	→ Open pressure line (e.g. bent pressure hose).
	Air cushion in suction foot.	→ Unplug mains cable and plug in again.
	Inlet filter or suction foot blocked.	→ Disconnect mains plug, clean inlet filter and suction foot (see 6. Maintenance).
	Pump overheated: Thermal protection switch switched pump off due to overheating.	→ Disconnect mains plug, clean inlet filter and suction foot (see 6. Maintenance). Observe max. media temperature (35 °C).
	Lack of water: Dry run protection switched the pump off due to insufficient water level.	The pump is only operational when it is submerged at least 12 cm. → Submerge pump at least 12 cm in water.
	Leakage on the pressure side: Flow control switched the pump off (flow < 6 l/hr).	→ Check pressure hose and all consumers on the pressure side for tightness. Unplug pump and plug in again.
	Power supply interrupted.	→ Check fuses and electrical plug-in connections.
	Stop valve jammed.	→ Flush outlet area with clear water and free stop valve.
Delivery rate suddenly decreases	Inlet filter or suction foot blocked.	→ Disconnect mains plug, clean inlet filter and suction foot (see 6. Maintenance).
	Lack of water: Dry run protection switched the pump off due to insufficient water level.	The pump is only operational when it is submerged at least 12 cm. → Submerge pump at least 12 cm in water.



In the event of other faults please contact GARDENA Service.

Repairs should only be carried out by GARDENA service centres or dealers authorised by GARDENA.

8. Technical Data

Type	6000/5 automatic (Art. No. 1476)
Rated power	1050 W
Max. delivery capacity	6000 l/h
Max. pressure (= switch-off pressure)	4.5 bar
Max. delivery height	45 m
Switch-on pressure	2.6 ± 0.2 bar
Max. submersion depth	12 m
Power cable	15 m H07 RNF
Pump connection	33.3 mm (G 1" female thread)
Minimum submersion depth on commissioning	12 cm
Weight approx. (without cable)	8.0 kg
Fastening rope	length 15 m / Ø 5 mm
Max. media temperature	35 °C
Mains voltage / mains frequency	230 V / 50 Hz
Noise level $L_{WA}^{1)}$	46 dB(A)

1) Measuring method according to EN 60335-1

9. Available accessories

GARDENA 2- / 4-Way Valve	For parallel connection for more than one hose or connected devices.	Art. 1210 / 1194
GARDENA Hose Clamp	For 25 mm (1") hoses via the connection nipple.	Art. 7192
GARDENA Hose Clamp	For 19 mm (¾") hoses via the connection nipple.	Art. 7191
GARDENA Pump Connection Set	For 13 mm (½") hoses via the GARDENA Connection System.	Art. 1750
GARDENA Tap Connector GARDENA Hose Connector	For 16 mm (⅝") hoses via the GARDENA Connection System.	Art. (2)902 Art. (2)916
GARDENA Pump Connection Set	For 19 mm (¾") hoses via the GARDENA Connection System.	Art. 1752

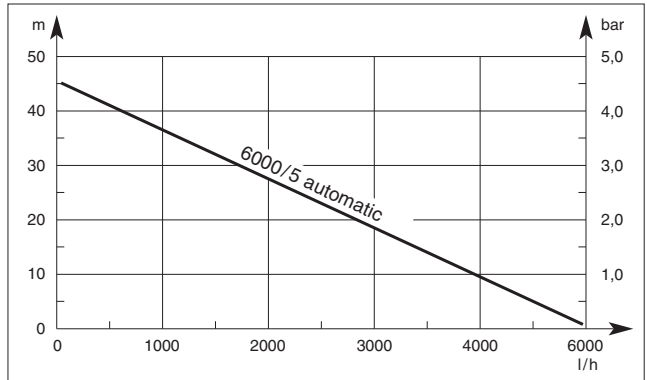
GARDENA guarantees this product for 2 years (from date of purchase). This guarantee covers all serious defects of the unit that can be proved to be material or manufacturing faults. Under warranty we will either replace the unit or repair it free of charge if the following conditions apply:

- The unit must have been handled properly and in keeping with the requirements of the operating instructions.
- Neither the purchaser or a non-authorised third party have attempted to repair the unit.

The impellers are wear parts and excluded from the warranty. Pumps damaged by frost are excluded from the warranty.

This manufacturer's guarantee does not affect the user's existing warranty claims against the dealer/seller.

If you have any problems with your submersible pressure pump, please contact our Service or return the defective unit together with a short description of the problem – in case of guarantee, with a copy of the receipt – postage paid to one of the GARDENA Service Centres listed on the back of this leaflet.



Kennlinie Tauch-Druckpumpe

Performance characteristics Submersible Pressure Pump

Courbe de performance Pompe immergée pour arrosage

Prestatiegrafiek Dompel-druckpvoerpomp

Kapacitetskurva Dränkbar Tryckpump

Ydelses karakteristika Dyk-/trykpumpe

Toimintaominaisuudet Uppopainepumppu

Merkingslinje for nedsenkbar trykkpumpe

Curva di rendimento per Pompa sommersa a pressione

Curva característica de la Bomba sumergible a presión

Características de performance da Bomba submersível de pressão

Charakterystyka Pompa zanurzeniowocisnieniowa

Teljesítménygörbe Merülő-nyomó szivattyú

Charakteristika Ponorné tlakové čerpadlo

Charakteristika Ponorné tlakové čerpadlo

Χαρακτηριστική καμπύλη αντλίας

Характеристика Погружной нагнетательный насос

Karakteristika Potopna tlačna črpalka

Dijagram Potopna tlačna crpka

Karakteristična kriva uronjive pumpe pod pritiskom

Характеристика Заглибний насос високого тиску

Graficul pompei presiune submersibile

Karakter eğrisi dalgiç basınç pompası

Характеристика Потопяема дълбочинна помпа

Linja - pompě zhytèse me presion

Uputus-survepumba karakteristik

Panardinamo slėginio siurblio charakteristinė kreivė

legremdējamā spiediena sūkņa raksturlīkne

D Produkthaftung

Wir weisen ausdrücklich darauf hin, dass wir nach dem Produkthaftungsgesetz nicht für durch unsere Geräte hervorgerufene Schäden einzustehen haben, sofern diese durch unsachgemäße Reparatur verursacht oder bei einem Teileaustausch nicht unsere Original GARDENA Teile oder von uns freigegebene Teile verwendet werden und die Reparatur nicht vom GARDENA Service oder dem autorisierten Fachmann durchgeführt wird. Entsprechendes gilt für Ergänzungsteile und Zubehör.

GB Product Liability

We expressly point out that, in accordance with the product liability law, we are not liable for any damage caused by our units if it is due to improper repair or if parts exchanged are not original GARDENA parts or parts approved by us, and, if the repairs were not carried out by a GARDENA Service Centre or an authorised specialist. The same applies to spare parts and accessories.

F Responsabilité

Nous vous signalons expressément que GARDENA n'est pas responsable des dommages causés par ses appareils, dans la mesure où ces dommages seraient causés suite à une réparation non conforme, dans la mesure où, lors d'un échange de pièces, les pièces d'origine GARDENA n'auraient pas été utilisées, ou si la réparation n'a pas été effectuée par le Service Après-Vente GARDENA ou l'un des Centres SAV agréés GARDENA. Ceci est également valable pour tout ajout de pièces et d'accessoires autres que ceux préconisés par GARDENA.

NL Productaansprakelijkheid

Wij wijzen er nadrukkelijk op, dat wij op grond van de wet aansprakelijkheid voor producten niet aansprakelijk zijn voor schade ontstaan door onze apparaten, indien deze door onvakkundige reparatie veroorzaakt zijn, of er bij het uitwisselen van onderdelen geen gebruik gemaakt werd van onze originele GARDENA onderdelen of door ons vrigegeven onderdelen en de reparatie niet door de GARDENA technische dienst of de bevoegde vakman uitgevoerd werd. Ditzelfde geldt voor extra-onderdelen en accessoires.

S Produktansvar

Tillverkaren är inte ansvarig för skada som orsakats av produkten om skadan beror på att produkten har reparerats felaktigt eller om, vid reparation eller utbyte, andra än Original GARDENA reservdelar har använts. Samma sak gäller för kompletteringsdelar och tillbehör.

DK Produktansvar

Vi gør udtrykkeligt opmærksom på at i henhold til produktansvarsloven er vi ikke ansvarlige for skader forårsaget af vores udstyr, hvis det skyldes uautoriserede reparationer eller hvis dele er skiftet ud og der ikke er anvendt originale GARDENA dele eller dele godkendt af os, eller hvis reparationerne ikke er udført af GARDENA-service eller en autoriseret fagmand. Det samme gælder for ekstra udstyr og tilbehør.

FIN Tuotevastuu

Korostamme nimenomaan, että tuotevastuulain nojalla emme ole vastuussa laitteistamme johtuneista vahingoista, mikäli nämä ovat aiheutuneet epäasianmukaisesta korjauksesta tai osia vaihdettaessa ei ole käytetty alkuperäisiä GARDENA- varaosia tai hyväksymiämme osia ja korjauksen on suorittanut muu kuin GARDENA -huoltokeskus tai valtuuttamamme ammattihenkilö. Tämä pätee myös lisäosiin ja lisävarusteisiin.

I Responsabilità del prodotto

Si rende espressamente noto che, conformemente alla legislazione sulla responsabilità del prodotto, non si risponde di danni causati da nostri articoli se originati da riparazioni eseguite non correttamente o da sostituzioni di parti effettuate con materiale non originale GARDENA o comunque da noi non approvato e, in ogni caso, qualora l'intervento non venga eseguito da un centro assistenza GARDENA o da personale specializzato autorizzato. Lo stesso vale per le parti complementari e gli accessori.

E Responsabilidad de productos

Advertimos que conforme a la ley de responsabilidad de productos no nos responsabilizamos de daños causados por nuestros aparatos, siempre y cuando dichos daños hayan sido originados por arreglos o reparaciones indebidas, por recambios con piezas que no sean piezas originales GARDENA o bien piezas autorizadas por nosotros, así como en aquellos casos en que la reparación no haya sido efectuada por un Servicio Técnico GARDENA o por un técnico autorizado. Lo mismo es aplicable para las piezas complementarias y accesorios.

P Responsabilidade sobre o produto

Queremos salientar que segundo a lei da responsabilidade do fabricante, nós não nos responsabilizaremos por danos causados pelo nosso equipamento, quando estes ocorrerem em decorrência de reparações inadequadas ou da substituição de peças por peças não originais da GARDENA, ou peças não autorizadas. A responsabilidade tornar-se-á nula também depois de reparações realizadas por oficinas não autorizadas pela GARDENA. Esta restrição valerá também para peças adicionais e acessórios.

<p>DE EG-Konformitätserklärung</p> <p>Der Unterzeichnete Husqvarna AB, 561 82 Huskvarna, Sweden bestätigt, dass die nachfolgend bezeichneten Geräte in der von uns in Verkehr gebrachten Ausführung die Anforderungen der harmonisierten EU-Richtlinien, EU-Sicherheitsstandards und produktspezifischen Standards erfüllen. Bei einer nicht mit uns abgestimmten Änderung der Geräte verliert diese Erklärung ihre Gültigkeit.</p>	<p>H EU azonosságai nyilatkozat</p> <p>Alulírott, Husqvarna AB, 561 82 Huskvarna, Sweden, igazolja, hogy az alább felsorolt, általunk forgalomba hozott termékek megfelelnek az EU elvárásoknak, EU biztonsági normáknak és a termékspecifikus szabványoknak egyaránt. A későbbiek velünk nem egyeztetett változtatása esetén ez a nyilatkozat érvényét veszti.</p>
<p>GB EU Declaration of Conformity</p> <p>The undersigned Husqvarna AB, 561 82 Huskvarna, Sweden, hereby certifies that, when leaving our factory, the units indicated below are in accordance with the harmonised EU guidelines, EU standards of safety and product specific standards. This certificate becomes void if the units are modified without our approval.</p>	<p>CZ ES Prohlášení o shodě</p> <p>Niže podepsaná společnost Husqvarna AB, 561 82 Huskvarna, Sweden, potvrzuje, že níže označený přístroj v provedení, který jsme uvedli na trh, splňuje požadavky uvedené v harmonizovaných směrniciích EU, v bezpečnostních standardech EU a ve standardech pro daný produkt. V případě změny přístroje, která námi nebyla odsouhlasena, ztrácí toto prohlášení platnost.</p>
<p>F Certificat de conformité aux directives européennes</p> <p>Le constructeur, soussigné : Husqvarna AB, 561 82 Huskvarna, Sweden, déclare qu'à la sortie de ses usines le matériel neuf désigné ci-dessous était conforme aux prescriptions des directives européennes énoncées ci-après et conforme aux règles de sécurité et autres règles qui lui sont applicables dans le cadre de l'Union européenne. Toute modification portée sur ce produit sans l'accord express de Husqvarna supprime la validité de ce certificat.</p>	<p>SK ES Vyhľadanie o zhode</p> <p>Dolu podpísaná spoločnosť Husqvarna AB, 561 82 Huskvarna, Sweden, potvrdzuje, že ďalej označený prístroj vo vyhotovení nami uvedenom do prevádzky spĺňa požiadavky harmonizovaných smerníc EU, bezpečnostných štandardov EU a štandardov špecifických pre produkt. V prípade zmeny prístroja, ktorá nebola nami odsúhlasená, stráca toto vyhlásenie platnosť.</p>
<p>NL EU-overeenstemmingsverklaring</p> <p>Ondergetekende Husqvarna AB, 561 82 Huskvarna, Sweden, bevestigt, dat het volgende genoemde apparaat in de door ons in de handel gebrachte uitvoering voldoet aan de eis van, en in overeenstemming is met de EU-richtlijnen, de EU-veiligheidsstandaard en de voor het product specifieke standaard. Bij een niet met ons afgestemde verandering aan het apparaat verliest deze verklaring haar geldigheid.</p>	<p>GR Πιστοποίηση συμμόρφωσης ΕΚ</p> <p>Η υπογεγραμμένη: Husqvarna AB, 561 82 Huskvarna, Sweden πιστοποιεί ότι τα μηχανήματα που υποδεικνύονται κάτωθι, όταν φεύγουν από το εργοστάσιο, είναι κατασκευασμένα σύμφωνα με τις οδηγίες της Ευρωπαϊκής Κοινότητας, τα Κοινωνικά πρότυπα ασφαλείας και τις προδιαγραφές. Αυτό το πιστοποιητικό δεν ισχύει σε περίπτωση που τα προϊόντα τροποποιηθούν χωρίς την έγκρισή μας.</p>
<p>S EU Tillverkarintyg</p> <p>Undertecknad firma Husqvarna AB, 561 82 Huskvarna, Sweden, intygar härmed att nedan nämnda produkter överensstämmer med EU:s direktiv, EU:s säkerhetsstandard och produktspecifikation. Detta intyg upphör att gälla om produkten ändras utan vårt tillstånd.</p>	<p>SLO Izjava o skladnosti s pravili EU</p> <p>Podpisano podjetje, Husqvarna AB, 561 82 Huskvarna, Sweden, potrjuje, da v nadaljevanju navedena naprava v različici, ki smo jo poslali na trg, izpolnjuje zahteve smernic EU, varnostnih standardov EU in standardov tovrstnih proizvodov. Izjava ne velja za spremembe na napravi, ki niso opravljene v skladu s nami.</p>
<p>DK EU Overensstemmelse certificat</p> <p>Undertegnede Husqvarna AB, 561 82 Huskvarna, Sweden bekræfter hermed, at enheder listet herunder, ved afsendelse fra fabrikken, er i overensstemmelse med harmoniserede EU retningslinjer, EU sikkerhedsstandarder og produkt-specifikationsstandarder. Dette certificat træder ud af kraft hvis enhederne er ændret uden vor godkendelse.</p>	<p>RO UE - Certificat de conformitate</p> <p>Prin prezenta Husqvarna AB, 561 82 Huskvarna, Sweden, certifica faptul ca, in momentul in care produsele mentionate mai jos ies din fabrica sunt in concordanta cu directivele UE, standardele de siguranta UE si standardele specifice ale produsului UE. Acest certificat devine nul in cazul modificarii aparatului fara aprobarea noastra.</p>
<p>FIN EY-vaatimustenmukaisuusvakuutus</p> <p>Alekkirjoittanut Husqvarna AB, 561 82 Huskvarna, Sweden vakuuttaa, että allainmitut laitteet täyttävät tehtaaltamme lähtiesään yhdenmukaistettujen EY-direktiivien, EY-turvallisuusstandardien ja tuotekohtaisten standardien vaatimukset. Laitteisiin tehdyt muutokset, joista ei ole sovittu kanssamme, johtavat tämän vakuutuksen raukeamiseen.</p>	<p>BG ЕС-Декларация за съответствие</p> <p>Подписаната фирма Husqvarna AB, 561 82 Huskvarna, Sweden декларира, че описаните модели уреди, пуснати в продажба съгласно нашата спецификация, изпълняват изискванията на хармонизираните ЕС-директиви, ЕС-станданти за безопасност и специфичните производствени стандарти. При промяна на уреда, която не е съгласувана с нас, тази декларация губи своята валидност.</p>
<p>I Dichiarazione di conformità alle norme UE</p> <p>La sottoscritta Husqvarna AB, 561 82 Huskvarna, Sweden, certifica che il prodotto qui di seguito indicato, nei modelli da noi commercializzati, è conforme alle direttive armonizzate UE nonché agli standard di sicurezza e agli standard specifici di prodotto. Qualunque modifica apportata al prodotto senza nostra specifica autorizzazione invalida la presente dichiarazione.</p>	<p>EST ELI vastavusdeklaratsioon</p> <p>Allakirjutatu Husqvarna AB, 561 82 Huskvarna, Sweden kinnitab, et kirjeldatud seade vastab meie poolt riiglusse viidud kujul ELi harmoniseeritud direktiividele, ELi ohutusstandarditele ja tootega seotud standarditele. Meiega kooskõlastamata muudatuse tegemise korral seadmel kaotab see deklaratsioon kehtivuse.</p>
<p>E Declaración de conformidad de la UE</p> <p>El que suscribe Husqvarna AB, 561 82 Huskvarna, Sweden, declara que la presente mercancía, objeto de la presente declaración, cumple con todas las normas de la UE, en lo que a normas técnicas, de homologación y de seguridad se refiere. En caso de realizar cualquier modificación en la presente mercancía sin nuestra previa autorización, esta declaración pierde su validez.</p>	<p>LT ES Atitikties deklaracija</p> <p>Pasirašanti Husqvarna AB, 561 82 Huskvarna, Sweden patvirtina, kad žemiau nurodyti prietaisai ir jų modeliai, kuriuos paleidome į apyvartą, patenkina harmonizuotas ES direktyvas, ES saugumo standartus ir specifinius gaminių standartus. Atlikus bet kokių prietaisų pakeitimą, kuris nėra suderintas su mumis, ši deklaracija praranda galiojimą.</p>
<p>P Certificado de conformidade da UE</p> <p>Os abaixo mencionados Husqvarna AB, 561 82 Huskvarna, Sweden, por este meio certificam que ao sair da fábrica o aparelho abaixo mencionado está de acordo com as directivas harmonizadas da UE, padrões de segurança e de produtos específicos. Este certificado ficará nulo se a unidade for modificada sem a nossa aprovação.</p>	<p>LV ES-atbilstības deklarācija</p> <p>Parakstījusies Husqvarna AB, 561 82 Huskvarna, Sweden, Vācija apstiprina, ka sekojoši apzīmētās iekārtas, kuras mēs izplatām, savā izpildījumā atbilst harmonizētajām ES direktīvām, ES drošības standartiem un produkta specifiskajiem standartiem. Ar mūsu neapstiprinātām izmaiņām iekārtā šī deklarācija zaudē savu derīgumu.</p>
<p>PL Deklaracja zgodności Unii Europejskiej</p> <p>Niżej podpisany Husqvarna AB, 561 82 Huskvarna, Sweden, potwierdza, że poniżej opisane urządzenie w wykonaniu wprowadzonym przez nas do obrotu spełnia wymogi zharmonizowanych wytycznych Unii Europejskiej, standardów bezpieczeństwa Unii Europejskiej i standardów specyficznych dla danego produktu. W przypadku wprowadzenia zmian nie uzgodnionych z nami wyjaśnienie to traci swoją ważność.</p>	

