

Art. 1810

GB Operating Instructions

Water Computer Plus C 1030

S Bruksanvisning

Bevattningscomputer C 1030 Plus

NL Gebruiksaanwijzing

Besproeiingscomputer C 1030 Plus

D Gebrauchsanweisung

Bewässerungscomputer C 1030 plus

FIN Käyttöohjeet

Kasteluohjain Plus C 1030

Contents	Page
Innehåll	Sida
Inhoud	Pagina
Inhalt	Seite
Sisältö	Sivu

GB

Summary of Operating Instructions	8
Operating Instructions	6 - 22
Guarantee	92

S

Kort bruksanvisning	25
Bruksanvisning	23 - 39
Garanti	92

NL

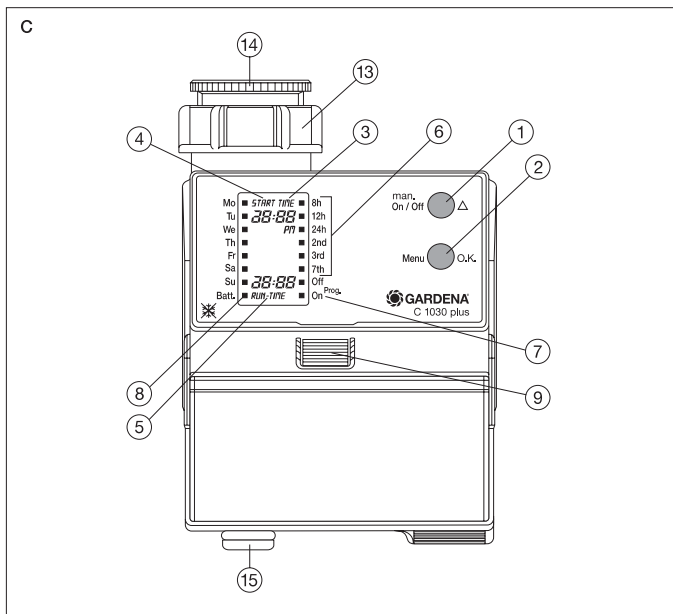
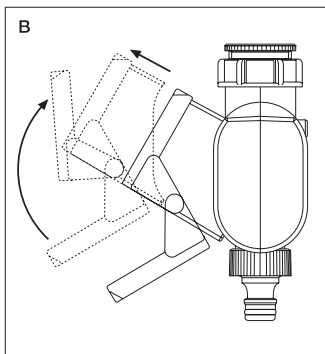
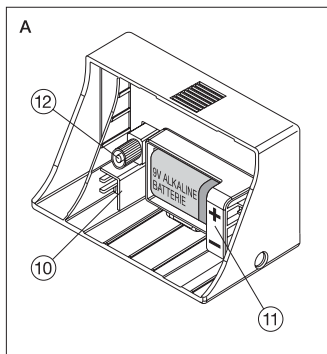
Verkorte gebruiksaanwijzing	42
Gebruiksaanwijzing	40 - 56
Garantie	93

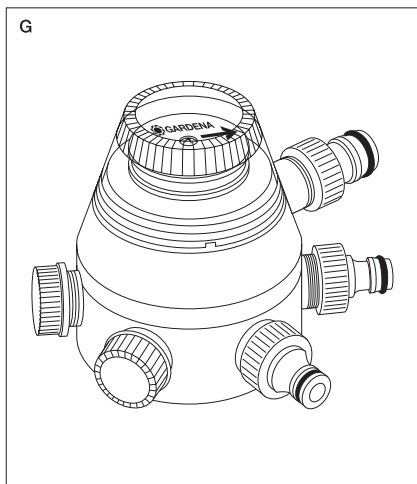
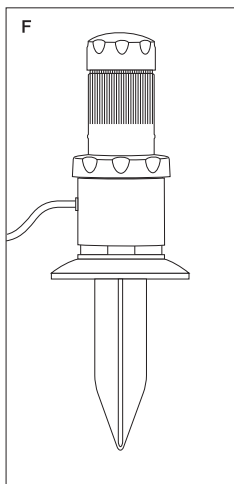
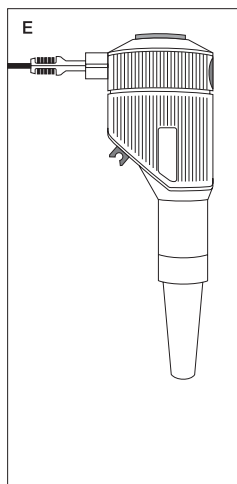
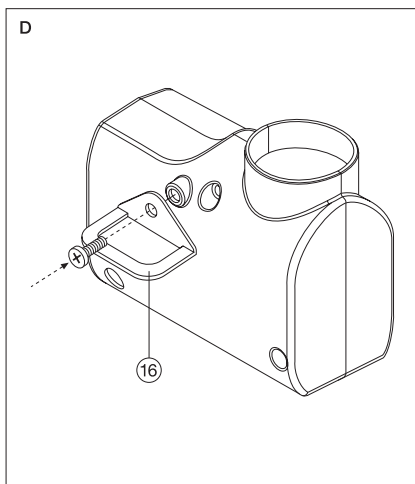
D

Kurz-Gebrauchsanweisung	59
Gebrauchsanweisung	57 - 74
Garantie	93

FIN

Lyhennetyt käyttöohjeet	77
Käyttöohjeet	75 - 91
Takuu	94






GARDENA

Water Computer Plus C 1030



1. Notes on these Operating Instructions


Please read these operating instructions carefully and observe the notes given. Use these operating instructions to familiarise yourself with the Water Computer, the unit's features and proper use as well as with the notes on safety.

 **For safety reasons children and young people under 16 and anyone who is not familiar with these operating instructions may not use the Water Computer.**

Keep these operating instructions in a safe place.

2. Proper Use

The GARDENA Water Computer Plus C 1030 is suitable and determined for private use in domestic and hobby gardens, exclusively for outdoor use, to control sprinklers and watering systems.

 **The Water Computer must not be used for industrial purposes or in conjunction with chemicals, foodstuffs, easily flammable and explosive materials.**

Compliance with the operating instructions provided by the manufacturer is a prerequisite for proper use of the GARDENA Water Computer.

The operating instructions also contain operating, servicing and maintenance conditions.

3. Technical Data

Operating pressure:	0,5 - 12 bar
Flow medium:	clean fresh water
Minimum flow rate:	20 l/h
Max. water temperature:	40 °C
Number of program-controlled watering cycles per day:	up to 3
Watering cycles per week:	every day, every 2nd, 3rd or 7th day
Watering time per program:	1 min. to 7 hrs 59 mins.
Battery:	1 x 9 V alkali-manganese (alkaline) type IEC 6LR61
Service life of the battery:	approx. 1 year

4. How the Water Computer Works

Your GARDENA Water Computer allows you to water your garden completely automatically any time you choose up to 3 times a day, whether you are using a sprinkler, a sprinkler system installation or a drip-head watering system.

Your Water Computer waters your garden completely automatically according to the program you choose. You can use your Water Computer to water your garden early in the morning or late at night when water evaporates the least or when you are on holiday.

You simply program the **watering start, watering time and watering day(s) or cycles.**

5. Summary of Operating Instructions

1. Inserting the Battery

Only use a 9 V alkali-manganese (alkaline) battery type IEC 6LR61.
Observe the polarity(+/- markings).

2. Programming the Water Computer

Select the individual program steps in succession using the **Menu/O.K.** key.

You can change the program data using the **On/Off ▲** key.

The main display (time) can be accessed using the **Menu/O.K.** key.

Entering the Time and Day of the Week

- a) Time – hours
- b) Time – minutes
- c) Day of the week

Entering the Watering Data

- a) Starting time – hours
- b) Starting time – minutes
- c) Watering time – hours
- d) Watering time – minutes
- e) Watering cycle

3. On/Off-Prog.

Off: The watering program is switched off (e.g. during a rainy spell)

On: The watering program is switched on (normal operation)

4. Manual On/Off Operation

Press the **On/Off** key once to open the valve and press again to close it.

The opening time is pre-set at the factory to 30 minutes and cannot be changed!

6. Function Keys / Display of the Water Computer

6.1 Function Keys (Fig. A)

- ① **man On/Off ▲** To change the individual data you have entered (e.g. hours, minutes, days etc.); to quickly run through the data, press and hold the key down.
- ② **Menu O.K.** To move to the next step of the program and simultaneously accept and confirm data you have set using the **On/Off** key.

6.2 LCD Display

Note: In the entry mode the respective data flashes.

- ③ **TIME (current data: time, day of the week)**

Hours	Hours of the current time.
Minutes	Minutes of the current time.
Seconds	Dots between the hours and minutes flash when you have entered or changed the current time (hour/minute/day of the week).
Day	Indicates the current day of the week (Mo, Tu, etc.) (date/time).
- ④ **START TIME (Watering Starting Time)**

Hours	Hour for the watering starting time.
Minutes	Minute for the watering starting time.
Seconds	Dots between the hours and minutes flash during automatic watering.
- ⑤ **RUN TIME (Watering Time)**

Hours	Hours for the watering time.
Minutes	Minutes for the watering time.
- ⑥ **Watering Cycles**

Shows the watering cycles you set in the program mode: every 8, 12, 24 hours, or every 2, 3, 7 days.

- ⑦ **On/Off-Prog.** Status indicator
Off No watering (e.g. during a rainy spell).
On Watering programs are run.
- ⑧ **Batt.** Flashes when the battery power is too low.
Change the battery!

6.3 Other Features

- ⑨ **Release button** To release the control unit.
- ⑩ **Connection** For GARDENA Soil Moisture Sensor (Art. N° 1187) and GARDENA Rain Sensor (Art. N° 1189).
- ⑪ **Battery compartment**
To insert a 9 V battery in the back of the control unit.
- ⑫ **Connection socket**
Socket to connect the control unit.
- ⑬ **Sleeve nut incl. filter**
To connect the water computer to the tap.

6.4 Accompanying Accessories

- ⑭ **G $\frac{3}{4}$ Adapter for sleeve nut**
To connect the water computer to taps with a G $\frac{3}{4}$ thread.
- ⑮ **GARDENA threaded tap connector**
Fits GARDENA System hose connectors.

6.5 Option

- ⑯ **Anti-theft protection**
With special one-way screw and bracket.
Available from GARDENA Service.

6.6 Other Products Which can be Connected

- Fig. E GARDENA Soil Moisture Sensor (Art. No. 1187)
Fig. F GARDENA Rain Sensor (Art. No. 1189)
Fig. G GARDENA Automatic Water Distributor (Art. No. 1198)

7. Preparations for Use

1. Inserting the battery (Fig. A)

Only use a 9 V alkali-manganese (alkaline) battery type IEC 6LR61.

Observe the +/– markings.

When using the Water Computer for the first time all LCD symbols light up for 2 seconds when the battery is inserted (Fig. 1).

The unit is then ready for data input (Fig. 2).

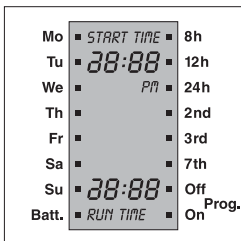


Fig. 1 All LCD symbols

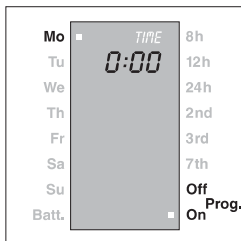


Fig. 2 Unit ready for data input

2. Connecting to the Tap

The Water Computer is fitted with a sleeve nut for taps with **33.3 mm (G 1)** thread.

Adaptor for G ¾ thread (26.5 mm)

The adaptor supplied allows the Water Computer to be connected to taps with a G ¾ thread (26.5 mm). If you are using the adaptor, screw **the adaptor onto the tap** before screwing the Water Computer onto the adaptor.

Warning! Attach and screw on manually. Do not use pliers!

3. Checking the New Battery

To check the new battery, turn on the tap and set the Water Computer to **On** (valve opens) and then shortly afterwards to **Off** (valve closes). If the battery capacity is too low a warning tone which beeps at intervals will sound.



To ensure that the water does not cause any damage make sure that the water flow is directed away from the Water Computer (connect hose, stand a bucket underneath, etc.).

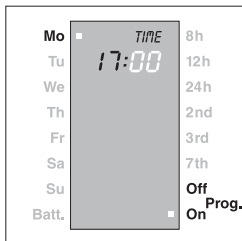
If the battery symbol does not appear, the battery has sufficient power and your water computer is now ready for use.

8. Programming Your Water Computer

Important Information: You can remove the control unit from the housing using the release button ⑨ as shown in Fig. B and program your computer somewhere other than where it is to be used, i.e. away from the tap.

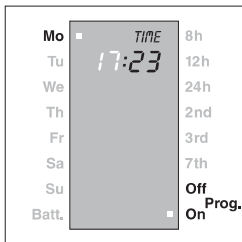
8.1 Entering the Current Data (Time/Day)

1. Press **Menu/O.K.**
The hours (**TIME**) flash.
2. Enter the hours using **On/Off ▲**,
e.g. 17:00.
3. Press **Menu/O.K.** to allow you to enter
the minutes.

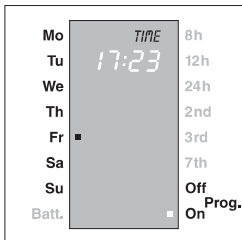


Range: 0-23

4. Enter the minutes using **On/Off ▲**,
e.g. 23;
press **Menu/O.K.** to allow you to enter
the weekday. Monday (**Mo**) is followed
by Tuesday (**Tu**) etc.

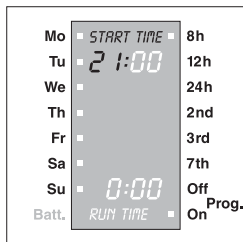


5. Enter the weekday using **On/Off ▲**,
e.g. **Fr** for Friday.
6. Press **Menu/O.K.** to confirm the
entered data and to move to
START TIME (hour setting).



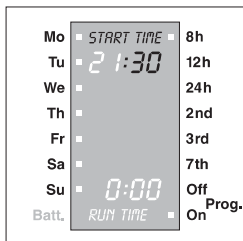
8.2 Entering the Watering Data (Starting Time, Watering Time, Days)

1. Set the hour for the starting time (START TIME) using **On/Off ▲**, e.g. **21**.
Confirm the data you have entered and move to the minutes for the starting time (START TIME) using **Menu/O.K.**



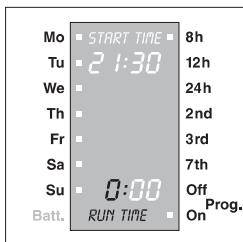
Range: 0 - 23

2. Enter the minutes for the starting time using **On/Off ▲**, e.g. **30**.
Confirm the data you have entered and move to the watering time (hour) using **Menu/O.K.**



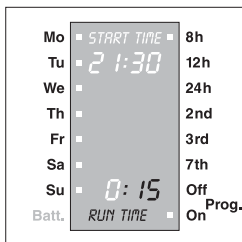
Range: 00 - 59

3. Enter the hours for the watering time (RUN TIME) using **On/Off ▲**, e.g. **0** hours.
Confirm the data you have entered and move to the watering time (minutes) using **Menu/O.K.**



Range: 0 - 7

- Enter the minutes for the watering time using **On/Off ▲**, e.g. **15** minutes. Confirm the data you have entered and move to the watering cycle using **Menu/O.K.**

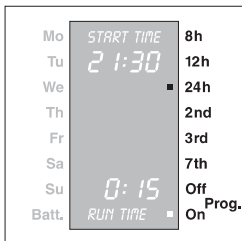


Range: 00 - 59.

The maximum watering time you can set is 7 hours and 59 minutes.

8.3 Setting the Water Cycles

- Enter the watering cycles using **On/Off ▲**, e.g. watering every 24 hours (**24 h**).
- Confirm the data you have entered and move to **On/Off-Prog.** using **Menu/O.K.**



You can set the watering for every 8, 12, 24 hours (8h, 12h, 24h), or every 2, 3 or 7 days (2nd, 3rd, 7th).

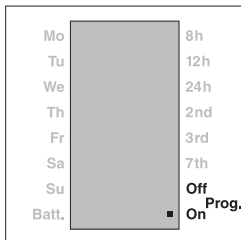
8.4 On/Off-Prog.

You can activate or deactivate the watering program using **On/Off-Prog.**

1. Choose the setting using **On/Off ▲**:

Off = Automatic watering is turned off, e.g. during a rainy spell.

On = Watering programs are run.



2. Confirm the data you have entered and move back the normal display screen using **Menu/O.K.**

You have completed the programming.

The dots between the hours and minutes flash when you have finished programming the computer, the clock is running.



Note: You can move to the next program level (current data, watering data, On/Off-Prog., normal display) at any time during programming by pressing the **Menu/O.K.** key. Any data which has not been confirmed using **Menu/O.K.** will **not** be saved.

If there is an interval between data entry of more than 60 seconds the water computer automatically leaves the programming mode and the LCD shows the current time (normal display).

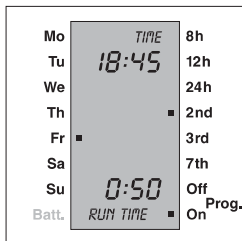
You have now successfully programmed your water computer, i.e. the integrated valve opens and closes completely automatically and your garden is watered at the times you have programmed.

8.5 Display During Automatic Watering

Example :

- It is Friday (**Fr**) 18:45, the water computer is programmed for watering every 2 days (**2nd**).
- **On/Off-Prog.** is set to **On** (watering desired).
- The remaining watering time (RUN TIME) is 50 minutes.
- The dots between the hours and minutes are flashing.
- The clock is running
- The RUN TIME is counting down.

(Fig. Display during automatic watering)



After the RUN TIME has finished the display shows normal operation.

If the valve is opened by a program it can be closed prematurely at any time by pressing the **man On/Off** key ① without influencing the program data (starting time, watering time and watering days).

9. Read/Change Program

You can run through the program levels to check the data you have entered by repeatedly pressing the **Menu** key and select and check the program steps by pressing **O.K.**

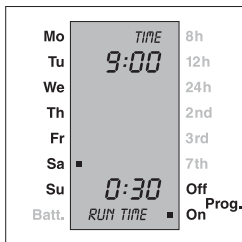
You can change the watering programs as described under "Programming".

10. Manual Program-Independent man On/Off Operation

After you have entered data, you can operate your water computer manually at any time, independent of the programmed watering times, by pressing the **man On/Off** key ①.

Press the **man On/Off** key once to open the water flow. Press the same key again to close the valve.

If you do not manually close the valve, for safety reasons, watering is ended



automatically after 30 minutes. The remaining watering time (RUN TIME) is shown on the LCD display.

If the valve is opened manually and the manual watering time and a programmed watering time overlap, the programmed watering is suppressed.

11. Battery

11.1 Status Indicator

If the battery voltage falls below a **certain level** the **Batt.** indicator appears ⑧. It is possible to initiate watering manually even if the battery capacity is too low (valve no longer opens), but programmed watering times, however, are not initiated. Even if the **battery capacity is too low** to run a program, if the valve is open it will be closed.

The battery voltage is tested **during the opening pulse**. In this way you can **test the capability of the battery at any time**. To do this, simply press the **man On/Off** key ①. If the valve opens and the **Batt.** indicator does not appear then the battery does not have to be changed.

11.2 Changing the Battery

If you exchange the **battery within 100 seconds**, the data you have entered will be saved (**program saved**). When the battery is removed the LCD display extinguishes and programs will not run while the battery is being changed. When you have inserted a new battery, we recommend that you check the data as described under "**Read/Change Program**".

If you do not insert a new battery within 100 seconds, or if the battery power was already so low that the valve no longer opened, the water computer is RESET (all program data is deleted). You must re-program your water computer. The current date / time which was previously displayed remain unchanged within the given time.

12. Notes on Safety and Operation



For safety reasons only a 9 V alkali-manganese battery (alkaline) type IEC 6LR61 must be used.

- The minimum water output to ensure that the Water Computer functions correctly is 20-30 l/h.
For example, at least 10 x 2-litre Drip Heads are required to control the Micro-Drip-System.
- The battery must be exchanged in time to prevent the Water Computer failing due to a low battery when you are away for longer

periods of time. Make sure that the time the battery has been in operation and the time you are planning to be away does not add up to more than a year.

- The functional safety of the Water Computer depends on the capability of the battery. The Water Computer will only run for approx. a year if the alkali-manganese battery has a nominal voltage of at least 9 V. Check the battery before you buy it.
- To prevent water penetrating the battery compartment, the Water Computer may only be installed in a perpendicular position with the sleeve nut pointing upwards.
- Program the Water Computer with the tap turned off. In this way you can avoid getting wet when trying out the “man On/Off” function. You can remove the control unit from the housing to program the Water Computer.
- The control unit must be attached to the Water Computer during operation.
- Only use the Water Computer outdoors.
Warning! The Water Computer must not be used indoors.
- The Water Computer must be stored in a dry place away from frost before the frosty season begins.
- The cover provided for the operating display must be used as shown in Fig. B. To protect the operating display against the weather the cover must be flipped over when you have finished programming the computer (Fig. B).
Stick the programming help provided on the inside of the display cover.
- At high temperatures (over 60 °C at the display) the LCD display may extinguish. This does not affect the program in any way. When the computer cools down the LCD display illuminates again.
- The max. temperature for the water flow is 40 °C.
- The minimum operating pressure is 0,5 bar, the maximum operating pressure is 12 bar.
- Check the filter in the sleeve nut ⑬ regularly and clean if necessary.
- Avoid tensile strain.
Do not pull the hose connected to the Water Computer.
- Only use clear fresh water.

13. Options

13.1 Anti-Theft Protection (Fig. D)

To protect your Water Computer against theft, the GARDENA anti-theft protection ⑩ (1815-00.791.00) is available at GARDENA Service. The bracket on the anti-theft protection is fitted onto the back of the unit. Note that the screw included cannot be loosened once it has been screwed in. The bracket can be used, for example, to attach a chain.

13.2 GARDENA Soil Moisture Sensor (Fig. E)

Together with the GARDENA Soil Moisture Sensor (Art. No. 1187) watering is controlled considering the soil moisture.

Assembly

The Soil Moisture Sensor is connected to the socket ⑩ on the back of the control unit (Fig. A).

How it Works

If the connected Soil Moisture Sensor indicates there is sufficient moisture then the watering program is either interrupted or not initiated.

Note: Manual watering (man On/Off) is still possible.

13.3 GARDENA Rain Sensor (Fig. F)

Together with the GARDENA Rain Sensor (Art. No. 1189) watering is controlled considering natural precipitation.

Assembly

The Rain Sensor, as an alternative to the Soil Moisture Sensor, can be connected to the connection socket ⑩ on the back of the control unit (Fig. A).

How it Works

If the rain sensor indicates an adequate amount of rain, then the watering program is interrupted or not initiated.

Note: Manual watering (man On/Off) is still possible.

13.4 GARDENA Automatic Water Distributor (Fig. G)

Connecting the GARDENA Automatic Water Distributor (Art. No. 1198) allows you to control up to 6 watering lines with your Water Computer Plus C 1030.

Each output can be watered every 2nd day. Therefore, 3 outputs can be watered every day every 8 hours.

This is ideal where there is an insufficient amount of water or where individual areas of the garden have varying water requirements. It allows all watering lines to be operated one after another.

14. Faults

Fault	Possible Cause	Remedy
LCD display not lit.	Battery inserted incorrectly	Check +/- markings.
	Flat battery.	Insert a new alkaline battery and test by pressing the ON key.
	Temperature at display is above 60 °C.	Display illuminates again when temperature falls, test function by pressing ON / OFF .
Not able to enter watering data (hours, minutes, (starting time, time, days).	Current data hours, (minutes, day) not complete.	Set current data.
Not able to open manually using man key.	Weak battery, Batt. indicator appears.	Insert a new alkaline battery .
	Tap turned off.	Turn on tap.
Watering not initiated.	Weak battery, Batt. indicator appears.	Insert a new alkaline battery .
	Watering data (starting time / duration / days) not complete.	Check data and complete if necessary.
	On/Off-Prog. active – set to Off .	Restart the program: Set to On (see “ On/Off-Prog. ”).
	Data input / changes made while the program was starting or immediately before.	Input / change data before or after the set start times.
	Valve was opened by manual On , program was not executed.	Avoid possible program overlaps.

Watering not initiated.	Tap turned off.	Turn on tap.
	Soil Moisture / Rain Sensor indicates sufficient moisture.	If dry, check setting/ position of the Soil Moisture / Rain Sensor.
Battery flat after working for a short time.	Not an alkaline battery.	Use an alkaline battery .
Undefined LCD display after battery has been changed.	Battery was not changed within 100 seconds or the battery was already run down so that there was no longer an opening pulse.	RESET the water computer by simultaneously pressing the ▲ and O.K. keys. Re-enter data as described.

If you have any problems with your Water Computer, please contact our Customer Service or return the defective unit together with a short description of the problem directly to one of the GARDENA Service Centres listed on the back of this leaflet.

If covered under warranty, please include a copy of the receipt.

Disposal (in accordance with RL2002/96/EC)



The product must not be added to normal household waste. It must be disposed of properly.

We expressly point out that, in accordance with the product liability law, we are not liable for any damage caused by our units if it is due to improper repair or if parts exchanged are not original GARDENA parts or parts approved by us, and, if the repairs were not carried out by a GARDENA Service Centre or an authorised specialist. The same applies to spare parts and accessories.

EU Certificate of Conformity

The undersigned

GARDENA Manufacturing GmbH · Hans-Lorenser-Str. 40 · D-89079 Ulm

hereby certifies that, when leaving our factory, the unit indicated below is in accordance with the harmonised EU guidelines, EU standards of safety and product specific standards.

This certificate becomes void if the unit is modified without our approval.

Description of the unit:

Water Computer

Year of CE marking:

1998

Type:

Plus C 1030

Ulm, 17.07.1998

Art. no.: 1810

EU directives:

Electromagnetic Compatibility
89/336/EC
Directive 93/68/EC



Thomas Heint
Technical Dept. Manager

GB

Guarantee

GARDENA guarantees this product for 2 years (from date of purchase). This guarantee covers all serious defects of the unit that can be proved to be material or manufacturing faults. Under warranty we will either replace the unit or repair it free of charge if the following conditions apply:

- The unit must have been handled properly and in keeping with the requirements of the operating instructions.
- Neither the purchaser or a non-authorized third party have attempted to repair the unit.
- Defects in the Water Computer attributable to batteries which have been incorrectly installed or are leaking are excluded from the warranty provisions.

This manufacturer's guarantee does not affect the user's existing warranty claims against the dealer/seller.

If you have any problems with your Water Computer, please contact our Customer Service or return the defective unit together with a short description of the problem directly to one of the GARDENA Service Centres listed on the back of this leaflet.

S

Garanti

GARDENA lämnar 2 års garanti för denna produkt. Garantin gäller från inköpsdatum. Garantin omfattar väsentliga fel på produkten som beror på fabriktions- eller materialfel och som påtalats oss före garantitidens utgång. Garantin innebär utbyte mot en produkt med perfekt funktion eller gratis reparation av den insända produkten om följande villkor är uppfyllda:

- Produkten har använts varmt och enligt bruksanvisningen.
- Köparen eller någon annan får inte ha försökt reparera produkten.
- Defekter på bevattningscomputern som uppstått genom fel insatta eller förbrukade batterier omfattas inte av garantin.

Tillverkarens garanti gäller ej särskilda överenskommelser mellan återförsäljare och köpare.

Vid störningar ber vi dig sända in produkten tillsammans med bevis för inköpet och en felbeskrivning till GARDENA Service.

Deutschland / Germany

GARDENA
Manufacturing GmbH
Service Center
Hans-Lorenser-Straße 40
D-89079 Ulm
Produktfragen:
(+49) 7 31 490-123
Reparaturen:
(+49) 7 31 490-290
service@gardena.com

Argentina

Argensem® S.A.
Calle Colonia Japonesa s/n
(1625) Loma Verde
Escobar, Buenos Aires
Phone: (+54) 34 88 49 40 40
info@argensem.com.ar

Australia

Nylex Consumer Products
50-70 Stanley Drive
Somerton, Victoria, 3062
Phone: (+61) 1800 658 276
spareparts@nylex.com.au

Austria / Österreich

GARDENA
Österreich Ges.m.b.H.
Stettnerweg 11-15
2100 Korneuburg
Tel.: (+43) 22 62 7 45 45 36
kundendienst@gardena.at

Belgium

GARDENA Belgium NV/SA
Sterrebeekstraat 163
1930 Zaventem
Phone: (+32) 2 7 20 92 12
Mail: info@gardena.be

Brazil

Palash Comércio e
Importação Ltda.
Rua Américo Brasiliense,
2414 - Chácara Sto Antonio
São Paulo - SP - Brasil -
CEP 04715-005
Phone: (+55) 11 5181-0909
eduardo@palash.com.br

Bulgaria

DENEX LTD.
2 Luis Ahalier Str. - 7th floor
Sofia 1404
Phone: (+359) 2 958 18 21
office@denex-bg.com

Canada

GARDENA Canada Ltd.
100 Summerlea Road
Brampton, Ontario
Canada L6T 4X3
Phone: (+1) 905 792 93 30
info@gardenacanada.com

Chile

Antonio Martinic y Cia Ltda.
Cassillas 272
Centro de Cassillas
Santiago de Chile
Phone: (+56) 2 20 10 708
garfar_cl@yahoo.com

Costa Rica

Compania Exim
Euroiberoamericana S.A.
Los Colegios, Moravia,
200 metros al Sur del Colegio
Saint Francis - San José
Phone: (+506) 297 6883
exim_euro@racsa.co.cr

Croatia

KLIS d.o.o.
Stancecva 79
10419 Vukovina
Phone: (+385) 1 622 777 0
gardena@klis-trgovina.hr

Cyprus

FARMOKIPIKI LTD
P.O. Box 7098
74, Digeni Akrita Ave.
CY-1641 Nicosia
Phone: (+357) 22 75 47 62
condam@spidernet.com.cy

Czech Republic

GARDENA spol. s r.o.
Řípská 20a, č.p. 1153
627 00 Brno
Phone: (+420) 800 100 425
gardena@gardenabrno.cz

Denmark

GARDENA Norden AB
Salgsafdeling Danmark
Box 9003
S-200 39 Malmö
info@gardena.dk

Finland

Habitec Oy
Martinkyläntie 52
01720 Vantaa

France

GARDENA
PARIS NORD 2
69, rue de la Belle Etoile
BP 57080
ROISSY EN FRANCE
95948 ROISSY CDG CEDEX
Tél. (+33) 0826 101 455
service.consommateurs@
gardena.fr

Great Britain

GARDENA UK Ltd.
27-28 Brenkley Way
Bleazard Business Park
Seaton Burn
Newcastle upon Tyne
NE13 6DS
info@gardena.co.uk

Greece

Agropip
G. Psomadopoulos & Co.
33 A, Ifestou str. –
Industrial Area
194 00 Koropi, Athens
Phone: (+30) 210 66 20 225
service@agropip.gr
www.agropip.gr

Hungary

GARDENA
Magyarország Kft.
Késmárk utca 22
1158 Budapest
Phone: (+36) 80 20 40 33
gardena@gardena.hu

Iceland

Heimilistaeki hf
Saetun 8
P.O. Box 5340
125 Reykjavik
ooj@ojk.is

Ireland

Michael McLoughlin & Sons
Hardware Limited
Long Mile Road
Dublin 12

Italy

GARDENA Italia S.p.A.
Via Donizetti 22
20020 Lainate (Mi)
Phone: (+39) 02.93.94.79.1
info@gardenaitalia.it

Japan

KAKUICHI Co. Ltd.
Sumitomo Realty &
Development Kojimachi
BLDG., 8F
5-1 Nibanncyo, Chiyoda-ku
Tokyo 102-0084
Phone: (+81) 33 264 4721
m_ishihara@kaku-ichi.co.jp

Luxembourg

Magasins Jules Neuberg
Grand Rue 30
Case Postale No. 12
Luxembourg 2010
Phone: (+352) 40 14 01
info@neuberg.lu

Netherlands

GARDENA Nederland B.V.
Postbus 50176
1305 AD ALMERE
Phone: (+31) 36 521 00 00
info@gardena.nl

Neth. Antilles

Jonka Enterprises N.V.
Sta. Rosa Weg 196
P.O. Box 8200
Curaçao
Phone: (+599) 9 767 66 55
pgm@jonka.com

New Zealand

NYLEX New Zealand Limited
Building 2
118 Savill Drive
Mangere, Auckland
Phone: (+64) 9 270 1806
lena.chapman@nylex.com.au

Norway

GARDENA Norden AB
Salgskontor Norge
Karihaugveien 89
1086 Oslo
info@gardena.no

Poland

GARDENA Polska Sp. z o.o.
Szymanów 9 d
05-532 Baniocza
Phone: (+48) 22 727 56 90
gardena@gardena.pl

Portugal

GARDENA Portugal Lda.
Recta da Granja do Marquês
Edif. GARDENA Algueirão
2725-596 Mem Martins
Phone: (+351) 21 922 85 30
info@gardena.pt

Romania

MADEX INTERNATIONAL SRL
Soseaua Odaii 117-123
Sector 1,
București, RO 013603
Phone: (+40) 21 352 76 03
madex@ines.ro

Russia / Россия

АО АМИДА ТТЦ
ул. Мосфилмовская 66
117330 Москва
Phone: (+7) 095 956 99 00
amida@col.ru

Singapore

Hy - Ray PRIVATE LIMITED
40 Jalan Pemimpin
#02-08 Tat Ann Building
Singapore 577185
Phone: (+65) 6253 2277
hyray@singnet.com.sg

Slovak Republic

GARDENA Slovensko, s.r.o.
Panónska cesta 17
851 05 Bratislava
Phone: (+421) 263 453 722
info@gardena.sk

Slovenia

Silk d.o.o.
Brodišče 15
1236 Trzin
Phone: (+386) 1 580 93 00
gardena@silk.si

South Africa

GARDENA
South Africa (Pty.) Ltd.
P.O. Box 11534
Vorna Valley 1686
Phone: (+27) 11 315 02 23
sales@gardena.co.za

Spain

GARDENA IBÉRICA S.L.U.
C/ Basauri, nº 6
La Florida
28023 Madrid
Phone: (+34) 91 708 05 00
(4 líneas)
atencioncliente@gardena.es

Sweden

GARDENA Norden AB
Försäljningskontor Sverige
Box 9003
200 39 Malmö
info@gardena.se

Switzerland / Schweiz

GARDENA (Schweiz) AG
Bitziberg 1
8184 Bachenbülach
Phone: (+41) 848 800 464
info@gardena.ch

Turkey

GARDENA / Dost Diş Ticaret
Müessillik A.Ş. Sanayi
Çad. Adil Sokak No. 1
Kartal - İstanbul
Phone: (+90) 216 38 93 939
info@gardena-dost.com.tr

Ukraine / Украина

ALTSEST JSC
4 Petropavlivska Street
Petropavlivska
Borschahivka Town
Kyivo Svyatoshyn Region
08130, Ukraine
Phone: (+380) 44 459 57 03
upyr@altsest.kiev.ua

USA

Melnor Inc.
3085 Shawnee Drive
Winchester, VA 22604
Phone: (+1) 540 722-9080
service_us@melnor.com

1810-28.960.08/0406
© GARDENA
Manufacturing GmbH
D-89070 Ulm
http://www.gardena.com