

Art. 4064

D	Montageanleitung Fangsack für Elektro-Vertikutierer EVC 1300
GB	Assembly Instructions Catcher for Electric Aerator EVC 1300
F	Mode d'emploi Sac de ramassage pour scarificateur électrique EVC 1300
NL	Montage-instructie Vangbak voor elektrische verticuteermachine EVC 1300
S	Monteringsanvisning Uppsamlare till Elektrisk Vertikalskärare EVC 1300
I	Istruzioni per il montaggio Sacco di raccolta per scarificatore elettrico EVC 1300
E	Instrucciones para el montaje Saco de recogida para el aireador eléctrico EVC 1300
P	Instrução de montagem Cesto coletor para Arejador Eléctrico EVC 1300
DK	Montageanvisning Opsamler til elektrisk plænelufter EVC 1300

D

→ Zusammenbau erfolgt entsprechend der Bildfolge.

Zu Abbildung 2: Die vormontierte Schraube © muss vor der Montage erst ausgeschraubt werden.

GB

→ Assemble following the sequence of figures.

Figure 2: Unscrew the pre-assembled screw © prior to assembly.

F

→ Pour un montage plus facile, aidez-vous des schémas ci-joints.

Figure 2 : la vis prémontée © doit être dévissée avant le montage.

NL

→ Monteren in volgorde van afbeeldingen.

Beeld 2: De voorgemonteerde schroef © moet voor de montage eerst eruit worden geschroefd.

S

→ Montering i enlighet med bildsekvensen.

Bild 2: Den förmonterade skruven © måste skruvas ur för monteringen.

I

→ Per il montaggio attenersi alla sequenza delle figure.

Figura 2: la vite premontata © deve essere svitata prima del montaggio.

E

→ El montaje se realiza por el orden que muestran las figuras.

En la ilustración 2: El tornillo premontado © se debe desenroscar antes del montaje.

P

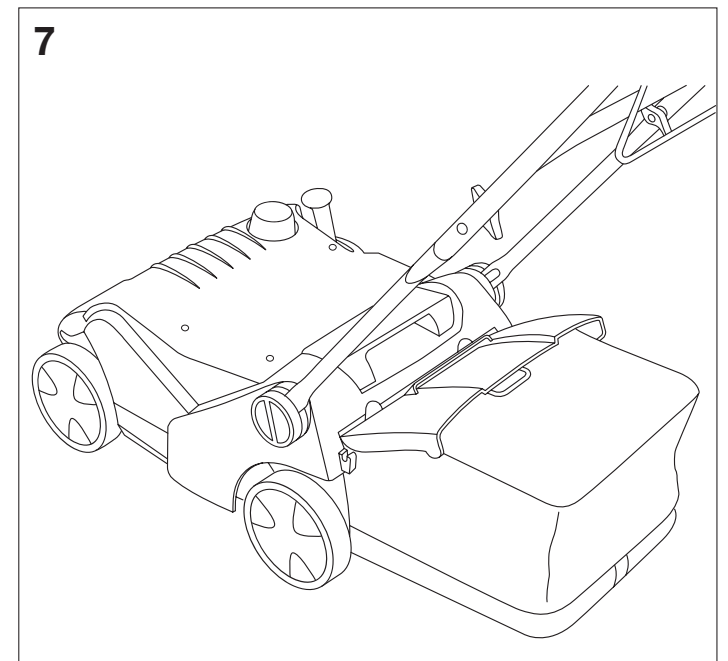
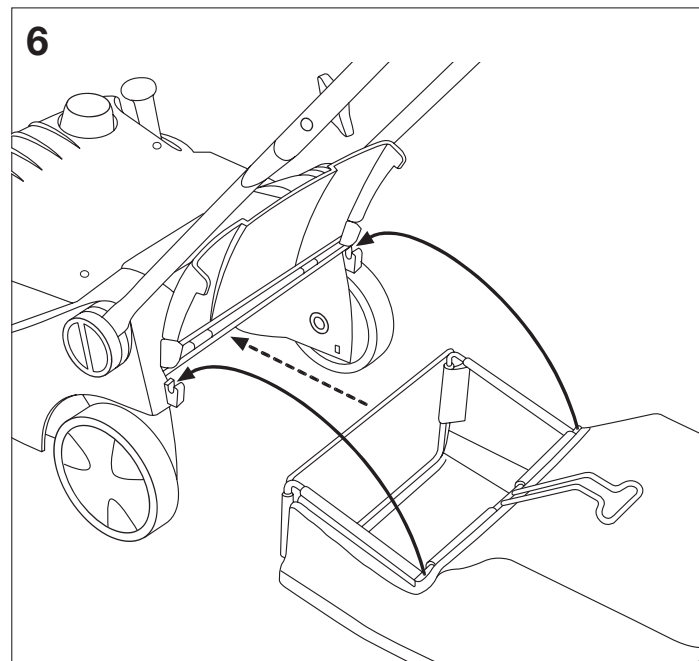
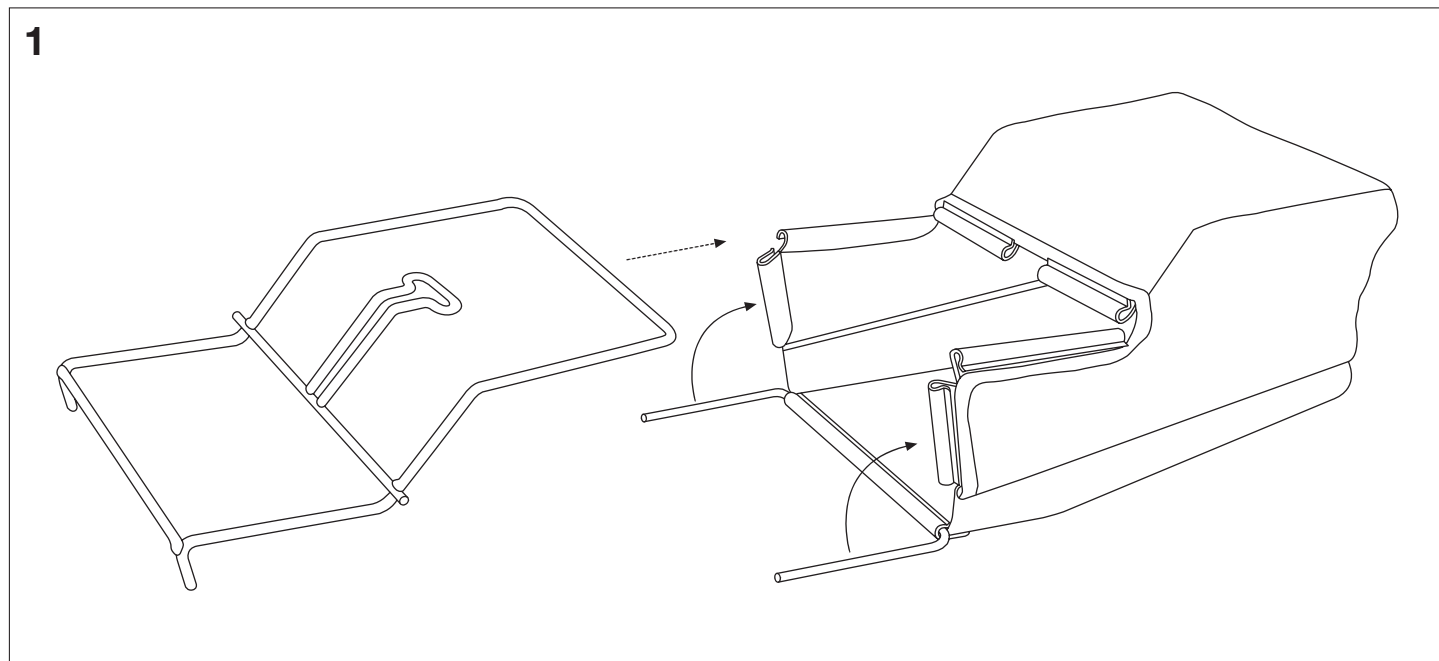
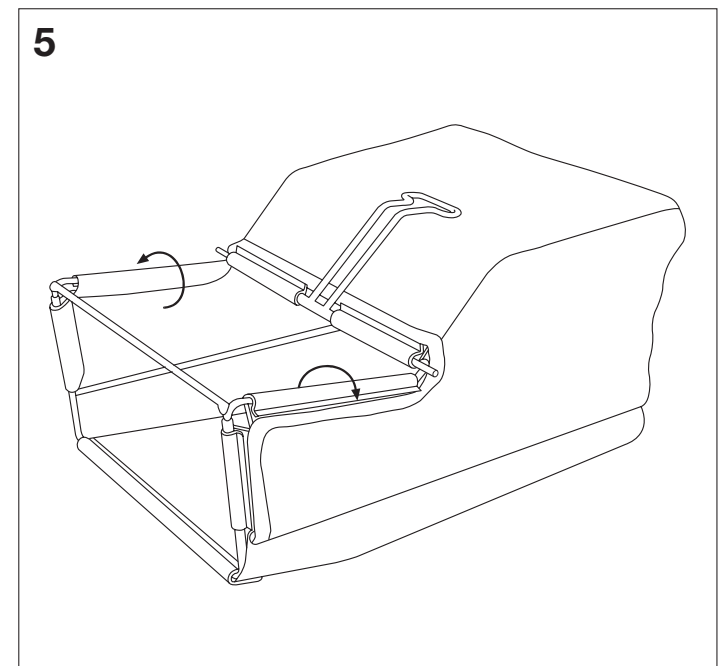
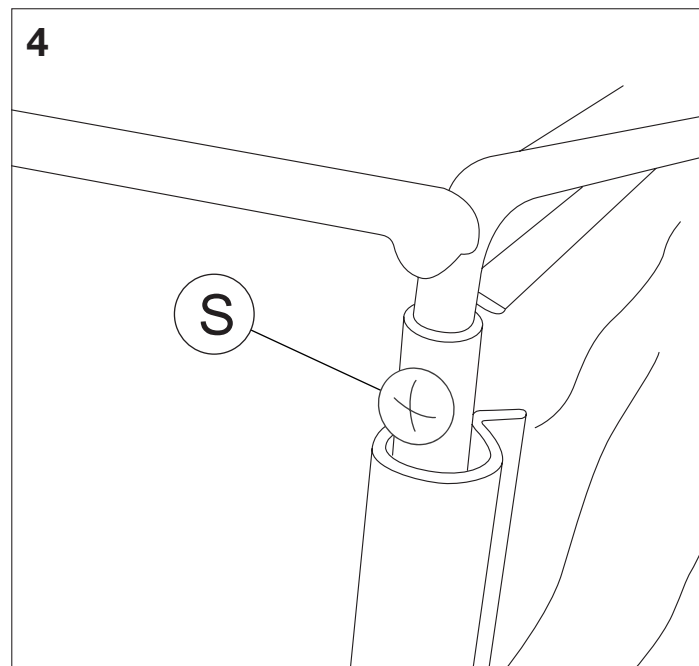
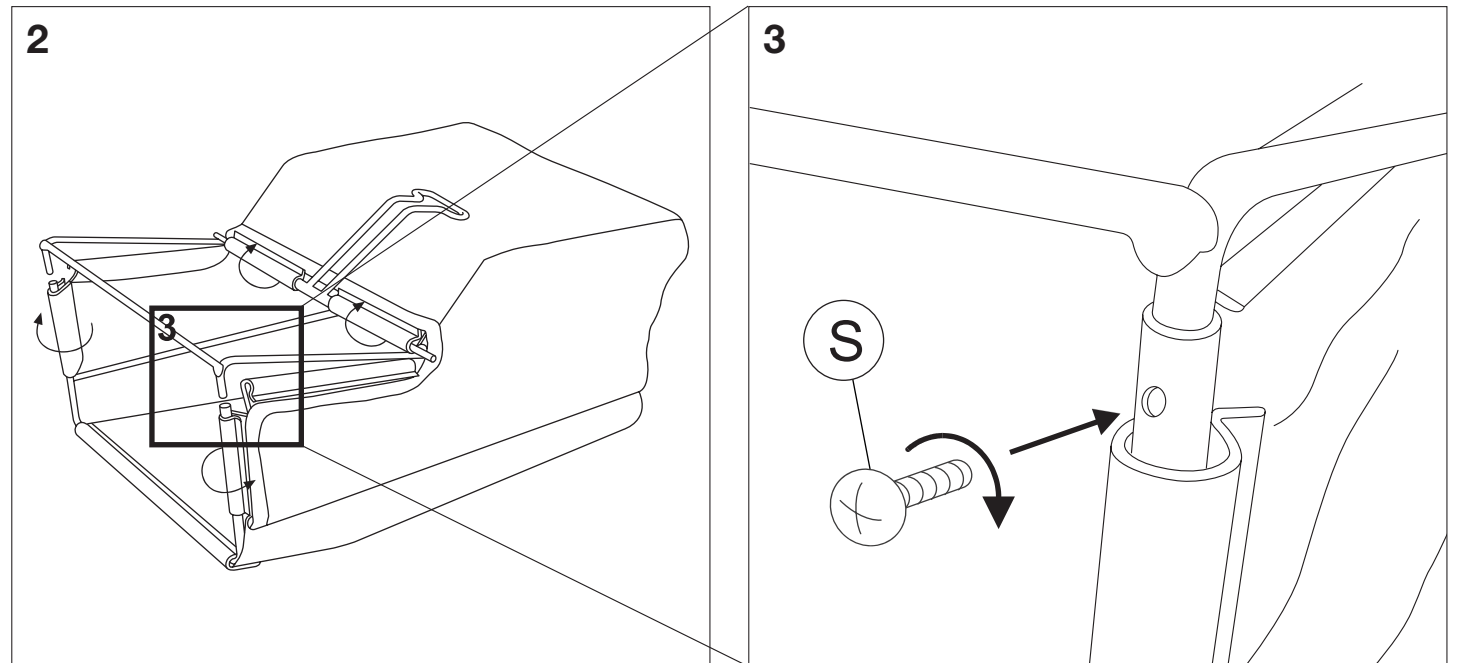
→ A montagem processa-se na sequência indicada na figura.

Na figura 2: O parafuso premontado © deve ser desaparafusado antes da montagem.

DK

→ Sammenbygningen foretages i overensstemmelse med rækkefølgen på billederne.

Til illustration 2: Den formonterede skrue © skal først skrues ud inden monteringen.



Service

Deutschland

GARDENA Manufacturing GmbH
Service Center
Hans-Lorenser-Str. 40
89079 Ulm

Argentina

Argensem S.A.
Calle Colonia Japonesa s/n
(1625) Loma Verde
Escobar, Buenos Aires

Australia

NYLEX Consumer Products
50 – 70 Stanley Drive
Somerton, Victoria, 3062

Austria

GARDENA Österreich Ges. m.b.H.
Stettnerweg 11-15
2100 Korneuburg

Belgium

GARDENA Belgium NV/SA
Sterrebeekstraat 163
1930 Zaventem

Brazil

Palash Comércio e Importação Ltda
Rua Helena, 285 cjto 12
Vila Olimpia – São Paulo – SP
04552-050

Bulgaria / България

DENEX LTD.
2 Luis Ahalier Str., 7th floor
Sofia 1404

Canada

GARDENA Canada Ltd.
100 Summerlea Road
Brampton, Ontario
Canada L6T 4X3

Chile

Antonio Martinic Y CIA. LTDA.
Gilberto Fuenzalida 185 Loc.
Las Condes - Santiago de Chile

Costa Rica

Compania Exim
Euroiberoamericana S.A.
Los Colegios, Moravia,
200 metros al Sur del
Colegio Saint Francis
San José

Cyprus

FARMOKIPIKI LTD
P.O. Box 7098
74, Digeni Akrita Ave.
1641 Nicosia

Czech Republic

GARDENA spol. s.r.o.
Řípská 20a, č.p. 1153
62700 Brno

Denmark

GARDENA Norden AB
Salgsafdelning Danmark
Naverland 8
2600 Glostrup

Finland

Habitec Oy
Martinkyläntie 52
01720 Vantaa

France

GARDENA France
Service Après-Vente
BP 50080
95948 ROISSY CDG Cedex

Great Britain

GARDENA UK Ltd.
27-28 Brenkley Way
Blezard Business Park
Seaton Burn
Newcastle upon Tyne NE13 6DS

Greece

Agrokip G. Psomadopoulos & Co.
33 A, Ifestou str. – 194 00
Industrial Area Koropi
Athens

Hungary

GARDENA Magyarország Kft.
Késmárk utca 22
1158 Budapest

Iceland

Heimilistaeki hf
Saetun 8
P.O. Box 5340
125 Reykjavik

Republic of Ireland

Michael McLoughlin & Sons
Hardware Limited
Long Mile Road
Dublin 12

Italy

GARDENA Italia S.p.A.
Via Donizetti 22
20020 Lainate (Mi)

Japan

KAKUICHI Co. Ltd.
Yamato Bldg., 5-3-1, Kojimachi
Chiyoda-ku, Tokyo 102

Luxembourg

Magasins Jules Neuberg
Grand Rue 30
Case Postale No. 12
Luxembourg 2010

Netherlands

GARDENA Nederland B.V.
Postbus 50176
1305 AD ALMERE

Neth. Antilles

Jonka Enterprises N.V.
Sta. Rosa Weg 196
P.O. Box 8200
Curaçao

New Zealand

NYLEX New Zealand Limited
Private Bag 94001
South Auckland Mail Centre
10 Offenhauser Drive
East Tamaki, Manukau

Norway

GARDENA Norden AB
Salgskontor Norge
Postboks 214
2026 Skjetten

Poland

GARDENA Polska Sp. z o.o.
Szymanów 9d
05-532 Baniocza

Portugal

GARDENA Portugal Lda.
Edif. GARDENA
Algueirão
2725-596 Mem Martins

Romania

MADEX International srl
Bd. Decebal 26, BL. S2
Sector 3, Bucuresti

Russia / Россия

ЗАО АМИДА ТТЦ
ул. Мосфильмовская 66
119590 Москва

Singapore

Hu-Ray Enterprises
Block 1002 Toa Payoh Industrial Park
07-1433/1435/1451
Singapore 319074

Slovakia

GARDENA Slovensko, s.r.o.
Bohrova č. 1
851 01 Bratislava

Slovenia / Croatia

Silk d.o.o. Trgovina
Brodišče 15
1236 Trzin

South Africa

GARDENA South Africa (Pty.) Ltd.
P.O. Box 11534
Vorna Valley 1686

Spain

GARDENA IBÉRICA S.L.U.
C/Basauri, nº 6
La Florida
28023 Madrid

Sweden

GARDENA Norden AB
Försäljningskontor Sverige
Box 9003
20039 Malmö

Switzerland

GARDENA (Schweiz) AG
Bitziberg 1
8184 Bachenbülach

Ukraine / Украина

АОЗТ АЛЬЦЕСТ
ул. Гайдара 50
г. Киев 01033

Turkey

GARDENA-Dost Diş Ticaret
Mümessillik A.Ş.
Yeşilbağlar Mah. Başkent
Cad. No. 26
81430 Pendik – İstanbul

USA

GARDENA
3085 Shawnee Drive
Winchester, VA 22604