

HB 40                    Art. 4005  
MulchCut HB 40    Art. 4010

**D    Gebrauchsanweisung**

Hatrick

---

**GB   Operating Instructions**

Hatrick

---

**F    Mode d'emploi**

Tondeuse Hatrick

---

**NL   Gebruiksaanwijzing**

Hatrick

---

**S    Bruksanvisning**

Hatrick Gräsklippare

---

**I    Istruzioni per l'uso**

Hatrick

---

**E    Manual de instrucciones**

Hatrick

---

**P    Instruções de utilização**

Hatrick

**D**

Bitte lesen Sie diese Gebrauchsanweisung vor Montage und Inbetriebnahme Ihres Gerätes sorgfältig.

Beim Lesen der Gebrauchsanweisung bitte die Umschlagseiten herausklappen.

Inhaltsverzeichnis	Seite
1. Technische Daten	6
2. Hinweise zur Gebrauchsanweisung	6
3. Ordnungsgemäßer Gebrauch	6
4. Montage des Hattricks	7
5. Inbetriebnahme	7
6. Richtiges Mähen und Lüften	8
7. Wartung, Pflege und Aufbewahrung	10
8. Behebung von Störungen	12
9. Hinweise zur ordnungsgemäßen Benutzung, Sicherheitshinweise	13
Garantie	71

**GB**

Please read these operating instructions carefully before assembling and using your lawn mower. Unfold inside cover pages to read the operating instructions.

Contents	Page
1. Technical data	15
2. Information concerning the instructions	15
3. Proper use	15
4. Assembly	16
5. Initial operation	16
6. Information concerning correct mowing and aerating	17
7. Maintenance, service, storage	18
8. Trouble-shooting	20
9. Advice for proper use / safety instructions	21
Guarantee	71

**F**

Nous vous remercions de bien vouloir lire attentivement ce mode d'emploi avant le montage et l'utilisation de votre tondeuse Hattrick. Dépliez le 2ème volet de la couverture pour avoir les illustrations sous les yeux pendant la lecture du mode d'emploi.

Contenu	Page
1. Caractéristiques techniques	23
2. Informations sur le mode d'emploi	23
3. Domaine d'utilisation	23

4. Montage de la tondeuse Hattrick	24
5. Mise en service	24
6. Conseils pour tondre et aérer correctement	25
7. Entretien et rangement	27
8. Incidents de fonctionnement	29
9. Conseils de sécurité et précautions d'emploi	29
Garantie	71

**NL**

Lees deze gebruiksaanwijzing voor de montage en ingebruikname van het apparaat zorgvuldig door. Bij het lezen van de gebruiksaanwijzing de omslagzijde openslaan.

Inhoudsopgave	Pagina
1. Technische gegevens	31
2. Aanwijzing bij de gebruiksaanwijzingen	31
3. Juiste gebruik	31
4. Montage van de Hattrick	32
5. Ingebruikname	32
6. Juiste manier van maaien en verticuteren	33
7. Verzorging, onderhoud en opslag	35
8. Opheffen van stringen	37
9. Aanwijzing voor het juiste gebruik, veiligheidstips	37
Garantie	71

**S**

Läs omsorgsfullt igenom bruksanvisningen och säkerhetsföreskrifterna innan Du tar Hattrick i bruk. Ha omslaget utvikt när Du läser bruksanvisningen.

Innehållsförteckning	Sida
1. Tekniska data	39
2. Viktig information	39
3. Avsedd användning	39
4. Montering	40
5. Drift	40
6. Rätt klippning och luftning	41
7. Underhåll, skötsel och förvaring	42
8. Felsökning	44
9. Säkerhetsföreskrifter	45
Garanti	72

**I**

Prima di montare e mettere in uso l'attrezzo, leggere attentamente le istruzioni tenendo aperto il pieghevole per avere sott'occhio i disegni esplicativi.

**Indice**

Indice	Pagina
1. Dati tecnici	47
2. Avvertenze	47
3. Uso corretto	47
4. Montaggio	48
5. Messa in uso	48
6. Modalità funzionali	49
7. Manutenzione	51
8. Anomalia di funzionamento	53
9. Norme d'uso e di sicurezza	53
Garanzia	72

**E**

Lea detenidamente estas instrucciones de este montaje y de la puesta en marcha del aparato. Durante la lectura, rogamos doble la portada.

Indice	Página
1. Datos técnicos	55
2. Indicaciones al manual de instrucciones	55
3. Uso correcto	55
4. Montaje	56
5. Puesta en marcha	56
6. Cortar y airear correctamente	57
7. Mantenimiento y conservación	58
8. Solucionar averías	61
9. Indicaciones para un correcto uso / indicaciones de seguridad	61
Garantía	72

**P**

Leia atentamente estas instruções antes de montar ou utilizar esta máquina de cortar relva Hattrick. Para ler este manual de instruções, desdobre a capa.

Indice	Página
1. Dados técnicos	63
2. Informação sobre as instruções de utilização	63
3. Finalidade do produto	63
4. Montagem	64
5. Operação inicial	64
6. Informações sobre a forma correcta de cortar e aerificar áreas relvadas	65
7. Manutenção, serviço, armazenamento	66
8. Guia de avarias	69
9. Conselhos para uma utilização correcta / instruções de segurança	69
Garantia	72

Beachten Sie die Sicherheitshinweise auf dem Gerät:

Please adhere to the following safety instructions on the casing:

Veillez respecter les consignes de sécurité figurant sur l'appareil :

Houdt rekening met de de veiligheidsaanwijzingen op het apparaat:

Følj bruksanvisningen noga:

Attenzione ai simboli di sicurezza riportati sull'attrezzo:

Observen las indicaciones de seguridad en el aparato:

Por favor siga atentamente as instruções de segurança fornecidas no aparelho:



Achtung! Vor Inbetriebnahme Gebrauchsanweisung lesen!

Warning!

Read instruction handbook!

Attention ! Merci de lire attentivement le mode d'emploi avant d'utiliser cet appareil !

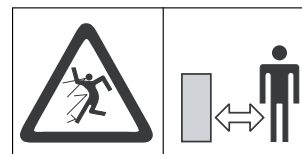
Let op! Voor ingebruikname gebruiksaanwijzing doorlezen!

Varning! Läs igenom bruksanvisningen före användning.

Attenzione! Prima di mettere in uso l'attrezzo, leggere attentamente le istruzioni!

¡Atención! Antes de la puesta en marcha, lea el manual de instrucciones.

Atenção! Leia atentamente este manual de instruções antes de usar o aparelho.



Dritte aus dem Gefahrenbereich fernhalten!

Keep bystanders away!

Maintenez tout tiers hors de la zone de travail !

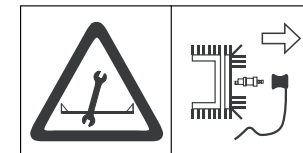
Zorg ervoor dat derden buiten de gevarenszone blijven!

Tills se att inga obehöriga vistas i området!

Tenere lontano i terzi dalla zona di lavoro!

¡Mantener alejados a terceros del área de trabajo!

Mantenha terceiros fora da área de perigo!



Vor Arbeiten am Schneidwerkzeug Zündkerzenstecker ziehen!

Before maintenance, disconnect the spark plug!

Débranchez la cosse de bougie d'allumage avant toute intervention sur le système de coupe !

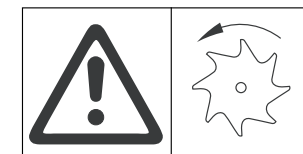
Voor werkzaamheden aan de maaier bougiestecker eraf halen!

Lossa tändkabeln från tändstiftet före underhåll och service.

Prima di qualsiasi intervento di manutenzione, scollegare la candela!

Para ejecutar trabajos de limpieza, control o de mantenimiento desenchufe el aparato.

Antes de qualquer operação de reparação desligue o casquilho do vela.



Achtung, Gefahr! Umlaufende Schneidwerkzeuge!

Warning! Rotating tools!

Attention ! Danger ! Le système de coupe continue de tourner.

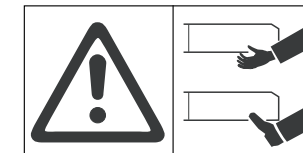
Let op! Gevaar! Roterend maaimes!

Varning roterande skärverktyg.

Attenzione! Pericolo! Lame in rotazione!

¡Atención! ¡Peligro! Cuchillas rotativas.

Atenção! Lâminas rotativas.



Achtung! Verletzungsgefahr durch scharfes Schneidwerkzeug – Finger und Füße entfernt halten!

Warning! Risk of injury. Keep fingers and feet away from sharp cutting tool!

Attention ! Risque de blessures par le cylindre de coupe – ne mettez ni mains ni pieds à proximité !

Let op! Verwondingsgevaar door scherp snijgereedschap – vingers en voeten weghouden!

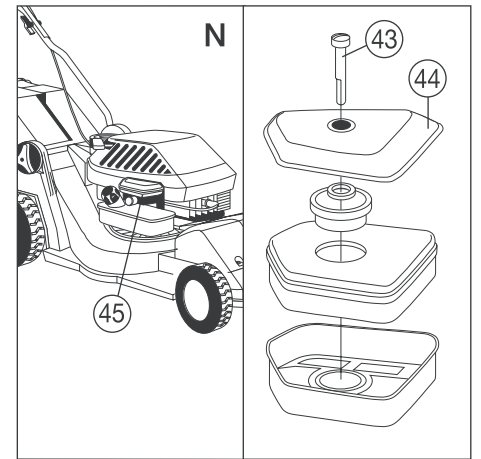
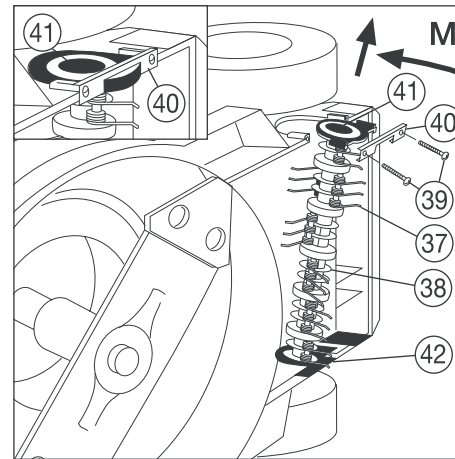
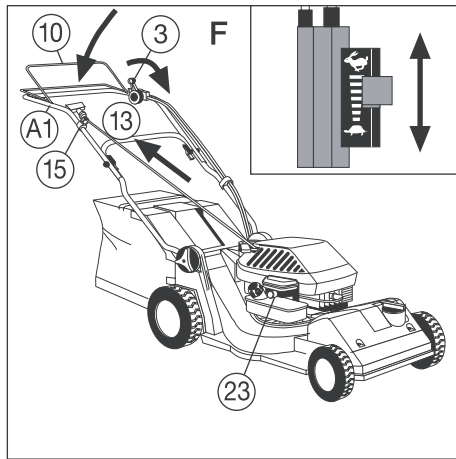
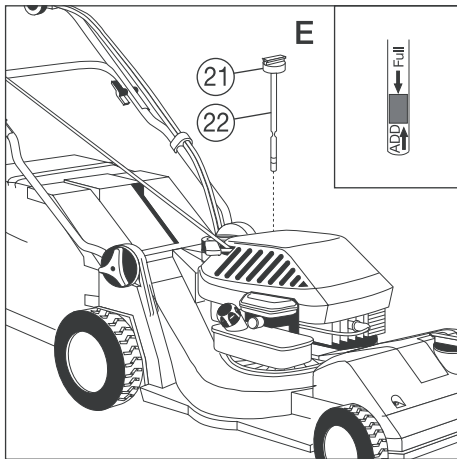
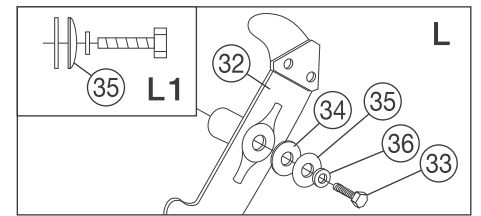
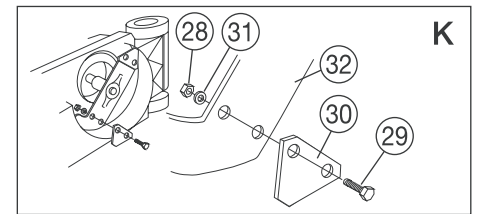
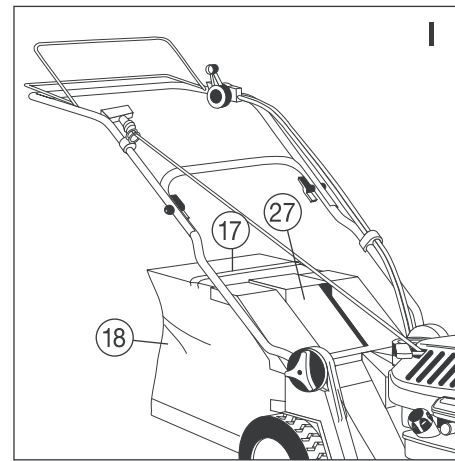
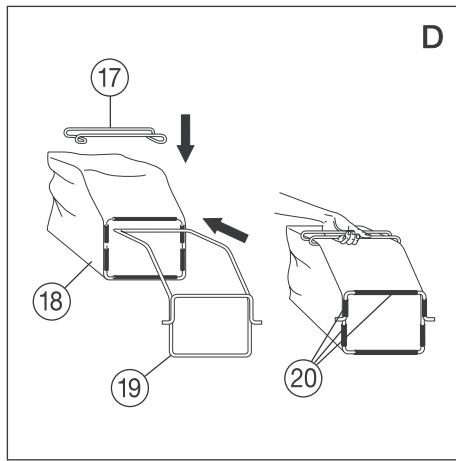
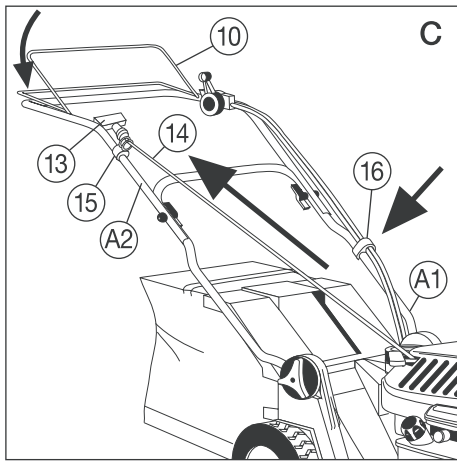
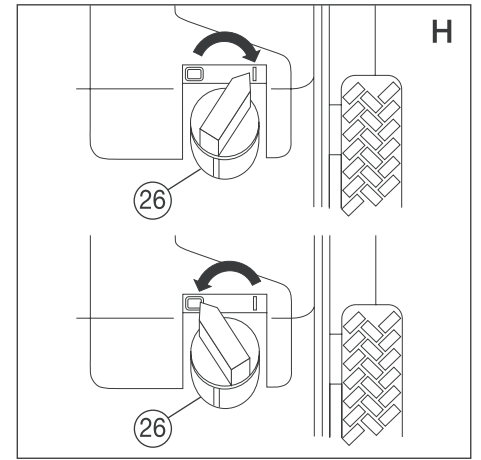
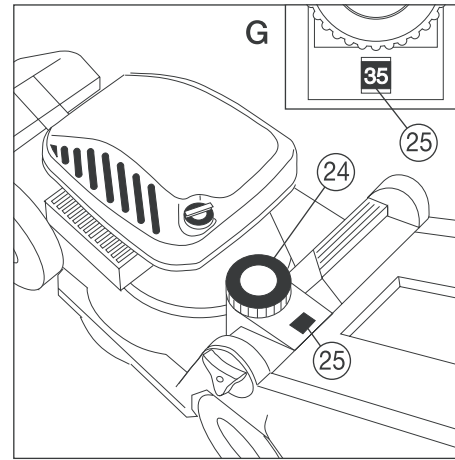
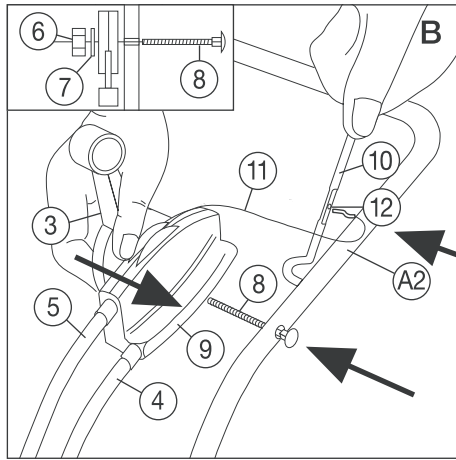
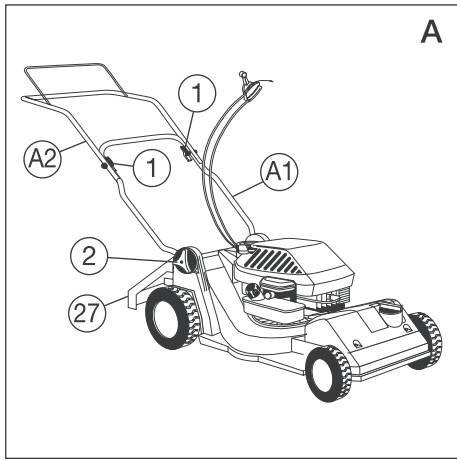
Varning! Risk för skada p.g.a. skärverktyg med skarp egg – Håll fingrar och fötter borta!

Attenzione! Tenere sempre mani e piedi a distanza di sicurezza dalle lame. Pericolo di lesioni!

¡Atención! ¡Peligro de lesiones con las cuchillas de corte afiladas!

¡Mantenga alejados los dedos y los pies!

Atenção! Perigo de danos pessoais devido a ferramentas de corte afiadas – manter afastados os dedos e pés!



# GARDENA Hattrick HB 40


## 1. Technical data

	HB 40 / MulchCut HB 40
Motor	petrol engine Briggs & Stratton (Quattro 40)
Power	2.1 kW
Capacity	158 cm <sup>3</sup>
Spark plug	Champion RC-J-8 / Champion RJ-9LM
Gap	0.75 mm
Fuel tank capacity	1.0 l
Fuel	Two-star petrol
Oil capacity	approx. 0.6 l (SAE 30 or 10 W 30)
Casing	plastic
Cutting width	40 cm
Cutting height	30 - 80 mm
Weight	31 kg
Grass catcher capacity	55 l
Wheels	ball bearing
Side force	50 N
Return force	50 N
Operational safety/gradients	15°
Working area related emission characteristic value $L_{pA}^{1)}$	81 dB (A)
Noise level $L_{WA}^{2)}$	95 dB (A) / 94 dB (A)
Vibrations at handle $a_{vhw}^{1)}$	2.4 ms <sup>-2</sup>


Measuring method according to  
 1) EN 836 2) directive 2000/14/EC

## 2. Information concerning the instructions

Read these instructions carefully and observe the information contained in them. Acquaint yourself with the use of the unit, the adjustments, its proper use and observe the safety instructions.

 **For safety reasons, children under the age of 16 as well as people, who are not acquainted with the instructions should not use this Hattrick.**

**Keep these instructions in a safe place.**


 **Warning! For environmental and transport safety reasons the petrol Hattrick lawn mower is supplied without motor oil. Therefore, the crankcase of the engine must be filled with motor oil (see 5.1) prior to use, otherwise the engine will be damaged.**

## 3. Proper use

The GARDENA petrol Hattrick lawn mower has been designed for cutting lawn and grass areas of private houses.

This appliance is for private use only and is not designed for use in public places, parks, sport arenas, street-scapes, in agriculture or forestry.

It is absolutely necessary to observe the manufacturer's operating instructions to ensure the unit's proper functioning. These instructions also contain hints on service, maintenance and repair.

 **Attention! For health and safety reasons the petrol Hattrick lawn mower should not**

**be used for trimming bushes, hedges or shrubs, for cutting and pruning of climbers or grass on roof or balcony gardens. Additionally, the Hattrick must not be used for chopping up branches and twigs and for levelling irregularities in the soil surface.**

## 4. Assembly (Fig. A-D)

### 4.1 Contents

The packaging should include the following parts:

- Hattrick HB 40
- Grass Catcher (disassembled)
- Top of guide handle
- Fastening parts for guide handle and throttle
- Bowden cable clip
- Spark plug spanner
- Operating instructions
- TORX®-wrench for changing blades

### 4.2 Assembly of the guide handle (Fig. A)

Swivel the folded bottom part of the guide handle (A 1) into the working position and allow it to engage. Tighten well with the lower linkage locking handles (2). Put the top of the guide handle (A2) onto the bottom part of the guide handle (A1) and secure using the fastening parts (threaded bolt; plastic wing nut) (1).

### 4.3 Assembly of the throttle (Fig. B)

The throttle (3) is already connected in working order to the

petrol and brake bowden cables (4/5). Insert the enclosed bolt (8) from the **outside** through the bore hole of the top of the guide handle (A 2).

**The bolt (8) is located firmly by the square bolt head, into the guide handle.**

Lift the brake lever (10) and insert the brake bowden cable (11) from the **outside** into the corresponding bore hole (12). The casing of the throttle (9) is now inserted onto the bolt (8) on the top of the guide handle (A 2). Insert washer (7) before fastening the nut (6) (as illustrated).

### 4.4 How to attach the starter handle onto the top of the guide handle (Fig. C)

By pushing the brake lever (10) down, the brake is released from the engine. The starter handle (13) with starter cord (14) can now be pulled out of its resting position on the petrol motor. Now thread the starter cord (14) into the guide rings (15) on the top of the guide handle (A 2).

### 4.5 Fixing the bowden cables (Fig. C)

Insert both petrol and brake bowden cables into the provided bowden cable clip (16) and press them onto the bottom part of the guide handle (A 1).

### 4.6 Assembly of the grass catcher (Fig. A/D)

The grass catcher is supplied loose (3 component parts). The carrying handle (17) is under the protective cover (27).

Unfold the grass catcher (18) and insert the supporting frame (19) through the opening of the grass catcher (18) so that the plastic base is at the bottom.

Then open the fastening clamps (20) by hand and fix them onto the supporting frame (19). Fasten the carrying handle (17) by pressing onto the supporting frame (19).

#### Note:

**The supporting frame (19) is shaped to locate the carrying handle (17) in the correct position.**

## 5. Initial operation (Fig. E/F)

### 5.1 Preparation for initial operation (Fig. E)

**⚠ For environmental and transport safety reasons the petrol Hattrick lawn mower is supplied without motor oil. Therefore, the crankcase of the engine must be filled with 0.6 l motor oil (SAE 30 or 10W30).**

Unscrew the oil sealing cap (21) and fill with 0.6 l of SAE 30 quality oil.

The oil level can be checked (when engine is switched off) by means of the oil dip stick (22)

integrated in the oil sealing cap (21). The oil level **must** be between the ADD and FULL mark.

**Always check the oil level before mowing.**

**The recommended fuel is unleaded two-stroke petrol.**

**⚠ Warning! Fuel is highly inflammable. Fuel must be stored only in containers authorised for the purpose. The fuel must be filled only outdoors; do not smoke during filling. Fill with petrol prior to use; the petrol cap must not be**

**removed and no petrol may be added if the engine is running or is hot. If petrol is spilled during filling, the engine must not be started until the spilled petrol has been wiped up and the mower has been removed from the area where the fuel was spilled. No attempt must be made to switch on the ignition until the petrol vapours have dispersed.**


**To safeguard against fire, keep grass, leaves, grease and oil away from engine and exhaust.**

### 5.2 Starting the Hattrick lawn mower (Fig. F)


Place your petrol Hattrick lawn mower on an even area of the lawn.

If the engine is cold, press the primer (23) several times before starting. If the engine is hot there is no need to use the primer (23).

Press brake lever (10) down to the top of the guide handle (A 2).

Push the throttle (3) to the symbol  (hare) and pull the starter handle/cord (13) slightly until the ratchet engages. Start the engine by quickly pulling out the starter handle/cord (13).

After that, the starter handle/cord (13) must be allowed to return slowly.

The motor speed can be reduced by pushing the throttle (3) towards the symbol  (turtle).

Release brake lever (10) to switch off the engine.

**⚠ Make sure that the blades and aerator roller (see 6.3) can run freely before starting the mower. Tilt the mower on the rear wheels by pressing on the guide handle.**

**Do not let the engine run in closed spaces. There is danger of carbon monoxide poisoning.**

**Never start up on a solid surfaced area (e.g. drives, tarred surfaces etc.) with the aerator roller switched on and a cutting height of less than 55 mm as the aerator springs can have contact with the ground at this setting.**

**Attention! Be aware that the cutting blades take a while to stop after turning off the engine.**

## 6. Information concerning correct mowing and aerating

### 6.1 General remarks on the care of lawns

To keep your lawn well-groomed we recommend cutting it regularly once a week. Depending on the growth of moss and weeds, switch on the aerator cylinder as required.

With frequent mowing and aerating the lawn becomes healthy and strong.

Short clippings (up to a length of about 1 cm) can be left on the lawn. Longer clippings must be removed to prevent the lawn becoming yellow or matted.

Cut and aerate the lawn for the first time in spring when the grass begins to grow and can be walked on. If the grass has grown too long, first cut it lengthwise with a high cutting setting (without switching on the aerator cylinder) and then cut at right angles with the desired cutting setting, with the aerator cylinder (optional) switched on.

**6.2 Mowing (Fig. G-I) Cut only with sharp blades so that the grass does not fray and the lawn does not turn yellow.**

To obtain a clean cutting result guide the petrol Hattrick lawn

mower in rows as straight as possible. Ensure that the rows overlap by a few centimetres so that no uncut strips are left behind.

**Guide the Hattrick in walking pace only.**

**Adjusting the cutting height (Fig. G)**

The petrol Hattrick lawn mower has a central cutting height adjustment knob (24). In front of the knob (24) the cutting height is displayed (25) increments of 5 mm.

Cutting height range 30 - 80 mm

#### Note:

**When working on slopes, always mow at right angles to the slope. To prevent the petrol Hattrick lawn mower from sliding way, point it slightly uphill.**

**Take extra care when changing direction on slopes.**

**For safety reasons, slopes with a gradient of more than 15° must not be mowed.**

**Always keep the under side of the mower casing clean and remove grass deposits. Deposits complicate the start-up procedure and affect the cutting result as well as discharge of grass clippings.**

### 6.3 Mowing with the aerator cylinder (Fig. H)

**Switching the aerator cylinder on/off**

**Switch off the engine before switching the aerator cylinder on or off.**

To switch on the aerator cylinder set the rotary switch (26) to position "1".

To switch it off set the rotary switch (26) to position "0".

**Remarks on mowing with the aerator cylinder switched on**  
The aerator cylinder can be used for creating drainage, removing matting and moss in the lawn as well as for cutting flat-rooting weeds.

If the grass is particularly long due to infrequent lawn care (e.g. after holidays), disengage the aerator cylinder, and pre-cut with the maximum cutting height to prevent overload of the lawn mower.

At the end of the cutting row or for turning around, tilt the mower on the rear wheels by pressing on the guide handle. This way you can turn it easily with the aerator cylinder running free.

After having aerated heavily moss-covered areas, it is recommended to resow the lawn. This will help the affected lawn to recover quickly.

The aerator cylinder use is optional depending on the needs and condition of the lawn.

The table below provides information on the use of the aerator cylinder.

Use of the aerator cylinder	Cutting height setting	Function of the aerator cylinder
Deep aeration of the soil	30 - 35 mm	The aerator springs penetrate up to 7 mm deep depending on the type of soil.
Aeration of the soil surface	35 - 40 mm	The aerator springs remove moss, matting, and weeds rooting near the surface.
Combing the lawn	40 - 45 mm	The aerator springs remove residues from the lawn.
Gathering grass clippings etc.	40 - 55 mm	The aerator springs remove even wet or trodden-in grass clippings etc. from the lawn.

#### 6.4 Mowing with the grass catcher (Fig. I)

As soon as there are grass clippings left on the lawn during mowing and aerating, the grass catcher should be emptied.

To remove the grass catcher (18) lift the protective cover (27) on your petrol Hattrick lawn mower with one hand. With the other hand hold the grass catcher (18) by the carrying handle (17) and remove the grass catcher (18) upwards.

If the protective cover (27) is released, it automatically shuts and covers the discharge opening.

If grass clippings stick in the discharge opening, the mower may

be difficult to start. Pull the petrol Hattrick lawn mower back about 1 m so that the grass clippings drop out easily. Afterwards, the grass catcher should be emptied.

**Note:**  
To ensure good collection, regularly clean the grass catcher inside and outside.

#### Attaching the grass catcher

**!** Attach the grass catcher only with the engine switched off and the cutting blade at a stand still.

Lift the protective cover (27) with one hand. With the other hand hold the grass catcher (18) by

the carrying handle (17) and insert into the the discharge opening from above.

**Note:**  
If properly seated the protective cover (27) fits snugly to the grass catcher (18).

#### Mowing without the grass catcher

The protective cover (27) is mounted in such a way that the petrol Hattrick lawn mower can be used without the grass catcher with the protective cover (27) closed. The clippings are ejected onto the lawn below the protective cover (27).

Repairs may only be carried out by GARDENA service centres or dealers authorised by GARDENA.

**!** Attention: Always detach the spark plug before working on your petrol Hattrick lawn mower (for checking and maintenance) to prevent risk of injury!

For security reasons, replace the tank lid if damaged.

**Never** clean your petrol Hattrick lawn mower with running water, in particular with water under high pressure.

Store your petrol Hattrick lawn mower in a dry place where it is protected from frost. The lawn mower should be stored out of the reach of children.

Follow the manufacturer's instructions when replacing the blades, blade bar and for aerator cylinder.

#### 7.2 How to replace the blades, blade bar and the aerator cylinder (Fig. K-M)

Please use only the Original GARDENA Spare Blades:

Triangular blades (HB 40)	Art. No. 4098
Rectangular Blades (MulchCut HB 40)	Art. No. 4099
Aerator cylinder	Art. No. 4097

You can order these spare parts from your GARDENA dealer or directly from the GARDENA customer service.

**Never use spare parts or accessories which have not been designed by the manufacturer!**

#### Replacing the blades (Fig. K)

**Note:**  
The blade has two cutting edges. If one edge has become blunt the blade can be reversed. Broken blades must be replaced immediately as it can cause an imbalance problem.

**Do not regrind the blades, it will cause imbalance.**

**The blades must always be replaced or reversed in pairs.**

**When replacing the blades always use the new nuts and bolts supplied with the spare blades.**

1. Remove the spark plug in order to avoid risk of injury if the engine is accidentally started.
2. **!** Empty the tank or run the mower until the tank is empty! Make sure the tank lid is properly closed. Tilt the lawn mower to the tank-located side; keep spark plugs and sound absorber of the motor upwards.
3. Hold the locking nuts (28) at the back and unscrew the bolts (29), using the TORX®-wrench provided.

4. Reverse the blades (30) or mount new blades (30) and secure tightly (torque 25 Nm). (During installation make sure that the ratchet toothed locking washers (31) are fitted under the nuts (28) and that the nuts (28) are on the top of the blade bar (32).)

#### Replacing the blade bar (Fig. L)

**Damaged blade bars must be replaced to prevent imbalance.**

1. Remove the spark plug in order to avoid risk of injury if the engine accidentally is started.
2. **!** Empty the tank or run the mower until the tank is empty! Make sure the tank lid is properly closed. Tilt the lawn mower to the tank-located side; keep spark plugs and sound absorber of the motor upwards.

3. Release the hexagon head bolt (33) with an appropriate wrench (SW 13) and remove the blade bar (32) from the drive shaft.
4. Insert new blade bar and tightly screw with the following washers (in the same order):
  - a) fibre washer (34)
  - b) strain washer (35)
  - c) small steel washer (36)
 and with the hexagon head bolt (33) (Torque: 40 Nm).

**Be sure that strain washer (35) has been installed in the correct position (see fig. L 1).**

#### Replacing the aerator cylinder (Fig. M)

The aerator cylinder is subject to natural wear and tear. If the springs (37) are worn it will not function correctly.

The aerator cylinder (38) must be replaced.

1. Remove the spark plug in order to avoid risk of injury if the engine is accidentally started.
2. **!** Empty the tank or run the mower until the tank is empty! Make sure the

**tank lid is properly closed.** Tilt the lawn mower to the tank-located side; keep spark plugs and sound absorber of the motor upwards.

3. Release screws (39) with an appropriate Phillips head screwdriver.
4. Remove the bearing sheet steel (40).
5. Remove aerator cylinder (38) together with end plate (41) of the drive shaft (42) (square) by tilting and pulling out.
6. Place new aerator cylinder (38) onto drive shaft (42) (square); stick on end plate (41) and tighten with the bearing sheet steel (40) in the casing.

#### 7.3 Engine maintenance

**Changing oil (Fig.E)**  
**Always change the oil when the engine is hot and the tank is empty and closed.**

Carry out the first motor oil change after 5 hours of operation, then every 50 hours of operation or once a year at the end of the mowing season, depending on which comes first.

In order to do this, open oil sealing cap (21), tilt the mower so that the old oil can flow into an oil-trough. Dispose of waste oil according to local regulations.

Position the mower on a level surface again and fill it with motor oil (0.6 l SAE 30 or 10 W30) (see 5.1).

#### Checking and cleaning the spark plug

Clean a contaminated spark plug with a brass wire brush and rag. Check the electrode gap (setting: 0.75 mm gap). Replace a badly worn or damaged plug.

**Cleaning the air filter (Fig. N)**  
**Cleaning the air filter is necessary every 3 months or after 25 hours of operation. In extreme dusty conditions do so more frequently.**

Remove screw (43). Fully remove air filter by pulling sideways and/or from the front.

**Make sure that no foreign substances fall into the carburettor.** Afterwards pull cover (44) upwards. Completely disassemble the air filter (45) and clean all parts.

**Cleaning the foam element.** Clean foam element in liquid detergent and water. The foam element should be replaced if it is extremely dirty or damaged.

After cleaning press dry the foam element with a clean rag. **Re-moisten the foam element with oil.**

Re-assemble all parts in reverse order and secure with screw (43) onto carburettor.

#### **Cleaning the cooling air passages**

Clean grass from cooling fins and air passages.

#### **Service interval**

In order to achieve trouble-free operation of the engine, this lawn mower should be checked every 2 to 3 years by a GARDENA Service Centre or a dealer authorised by GARDENA.

#### **7.4 Service**

Residual dirt and grass can be most easily removed immediately after mowing. Place the petrol

Hatrick lawn mower on its side opposite the tank and clean it with a brush or rag.


#### **7.5 Storage (Fig. A)**

**Let the engine cool down before storing the petrol Hatrick lawn mower in a closed room.**

**Never store the petrol Hatrick lawn mower with fuel in the tank where petrol vapour could come into contact with an open flame or could be ignited.**

Always store your petrol Hatrick lawn mower in a closed dry place.

To save space the handle can be folded down. Loosen the lower locking handles (2) and pull the bars sideways out of the mount. Loosen plastic wing nut (1) at the joint. Fold guide handle down in a Z-shape.

 **When folding down the bars make sure that the gas and brake bowden cables are not jammed or damaged.**

#### **Wintering**

If the engine is shut down for more than 30 days, firstly empty the tank. Afterwards, let the engine run until it runs out of petrol.

**For safety, please contact one of the GARDENA service centres or an authorised specialist for any other problem.**

Unscrew the spark plug and pour 1 tablespoon of motor oil into the cylinder. Turn the motor by slowly pulling on the starter handle/cord so that the oil is distributed. Screw in the spark plug again.

After having thoroughly removed dirt and remaining grass we recommend you to clean the petrol Hatrick lawn mower with maintenance spray.

If you have any problem with your petrol Hatrick lawn mower, please contact our Customer Service or return the defective unit together with a short description of the problem and, in case of guarantee, with a copy of the receipt to one of the GARDENA service centres listed on the rear page.

**We expressly point out that, in accordance with the product liability law, we are not liable for any damage caused by our units if it is due to improper repair or if parts exchanged are not original GARDENA parts or parts approved by us, and if the repairs were not carried out by a GARDENA Service Centre or an authorised specialist. The same applies to spare parts and accessories.**

## **8. Trouble-shooting**

The following table contains the problems most frequently occurring and shows how to remedy them.

Problem	Possible cause	Remedy
<b>Abnormal noise. Clattering in the unit.</b>	Motor fixing screws or mower casing loose.	Tighten screws.
<b>Whistling noise.</b>	Foreign body blocking aerator cylinder.	Switch off aerator cylinder, remove the spark plug, remove foreign body.
	V-belt slipping.	Contact GARDENA Service Centre.

Problem	Possible cause	Remedy
<b>Uneven running. Strong vibration of the unit.</b>	Blade bar or blades damaged (imbalance). Blade bar fastening on motor shaft is loose.	Replace damaged parts. Tighten the blade or blade bar bolts.
<b>Engine does not start.</b>	Primer has not been operated before starting.  Spark plug defective or tank empty.	Press primer several times (see 5.2).  Clean and replace spark plug, fill fuel tank.
<b>Engine runs for a short time but then suddenly stops with a loud bang.</b>	No motor oil in crankcase. Piston and crankshaft bearings have jammed.	Engine overhaul by a Service Centre.
<b>Aerator cylinder does not run.</b>	Rotary switch is in "0" position.  V-belt defective.	Set rotary switch to "1" position.  Replace V-belt. Contact GARDENA service station.
<b>Lawn turns to yellow. Not a clean cut.</b>	Blades are too blunt.  Cutting height is too low.	Replace or reverse the blades.  Correct cutting height.

If any other faults occur, please contact GARDENA Service.

## **9. Advice for proper use / safety instructions**

 **Checks before each operation**

**Inspect the unit before each use. Do not use the petrol Hatrick lawn mower if safety devices (safety handle; safety cover) and/or the blade bar or the blades are damaged or worn. Never operate the unit with the safety devices bypassed or missing.**

**Inspect the area to be cut before beginning work. Remove any foreign objects (e.g. stones) from the area. Check the working area for foreign objects (e.g. stones) while working.**

**The blade bar and the blades must be checked regularly for damage and properly repaired if necessary.**

 **Proper use / responsibility**

**Lawn mowers can cause serious injuries!**

**You are responsible for the safety of the working area.**

**Only use the petrol Hatrick lawn mower for the purposes specified in these instructions.**

**Only work when visibility is good.**

**Familiarise yourself with the surroundings of your working area. Check for possible risks which might be not audible due to the noise of the machine.**

**Wear non-slip shoes and long trousers to protect your legs.**

**Keep fingers and feet away from the cutting blades and the aerator cylinder.**

**Make sure that there are no other people (especially children) or animals anywhere near the working area.**

**Ensure that you have a secure foothold when working. Attention! Take extra care when walking backwards. You may stumble!**

**If, in spite of care, there is an obstruction when cutting, turn off the petrol Hatrick lawn mower and remove it. Check the unit for damage and have it repaired if necessary.**

 **Interruption to work**

**Never leave the petrol Hatrick lawn mower to run unattended.**

**If your work is interrupted, store the unit in a safe place. Remove the spark plug!**

**When changing to another working area, switch off the petrol Hatrick lawn mower.**

 **Check local regulations**

**Never use the unit when it is raining or in damp or wet areas.**

**Do not use the petrol Hatrick lawn mower in or near swimming pools or ponds.**

**Please observe the local regulations regarding quiet times.**

## EU Certificate of Conformity

The undersigned

GARDENA Kress + Kastner GmbH · Hans-Lorenser-Str. 40 · D-89079 Ulm

hereby certifies that, when leaving our factory, the units indicated below are in accordance with the harmonised EU guidelines, EU standards of safety and product specific standards.

This certificate becomes void if the units are modified without our approval.

**Description of the units:**

Hatrick

**Types:**

HB 40 / MulchCut HB 40

**Art. No.:**

4005 / 4010

**EU directives:**

Machinery Directive 98/37/EC

Electromagnetic Compatibility

89/336/EC

Directive 93/68/EC

Directive 2000/14/EC

**Harmonised European standards:**

EN 292-1

EN 292-2

EN 836

**Noise level:**

measured / guaranteed

HB 40 95 / 96 dB (A)


MulchCut HB 40 94 / 96 dB (A)

**Year of CE marking:**

1996 (HB 40)

1998 (MulchCut HB 40)

Ulm, 08.02.2002



Thomas Hehl  
Technical Director



## D

### Garantie

GARDENA gewährt für dieses Produkt die gesetzliche Garantie (ab Kaufdatum). Abweichend davon werden für das Kunststoffgehäuse 10 Jahre Garantie gewährt. Diese Garantieleistung bezieht sich auf alle wesentlichen Mängel des Gerätes, die nachweislich auf Material- oder Fabrikationsfehler zurückzuführen sind. Sie erfolgt durch die Ersatzlieferung eines einwandfreien Gerätes oder durch die kostenlose Reparatur des eingesandten Gerätes nach unserer Wahl, wenn folgende Voraussetzungen gewährleistet sind:

- Das Gerät wurde sachgemäß und laut den Empfehlungen in der Gebrauchsanweisung behandelt.
- Es wurde weder vom Käufer noch von einem Dritten versucht, das Gerät zu reparieren.

Die Verschleißteile Dreieckmesser (Hatrick) / Rechteckmesser (MulchCut) und Lüfterwalze sind von der Garantie ausgeschlossen.

Diese Hersteller-Garantie berührt die gegenüber dem Händler/Verkäufer bestehenden Gewährleistungsansprüche nicht.

Im Reklamationsfall schicken Sie bitte das defekte Gerät zusammen mit einer Kopie des Kaufbelegs und einer Fehlerbeschreibung frankiert an die auf der Rückseite angegebene Serviceadresse.

## GB

### Guarantee

GARDENA honours the guarantee legally required for this product (starting from the date of purchase). As an exception, we guarantee the plastic casing for 10 years. This guarantee covers all serious defects of the unit that can be proved to be material or manufacturing faults. Under warranty we will either replace

the unit or repair it free of charge if the following conditions apply:

- The unit must have been handled properly and in keeping with the requirements of the operating instructions.
- Neither the purchaser or a non-authorised third party have attempted to repair the unit.

The triangular blades (Hatrick)/ rectangular blades (MulchCut) and the aerator cylinder are wearing parts and are not covered by the guarantee.

This manufacturer's guarantee does not affect the user's existing warranty claims against the dealer/seller.

In case of claim, please return the faulty unit together with a copy of the receipt and a description of the fault, with postage paid to one of the GARDENA Service Centres listed on the back of these operating instructions.

## F

### Garantie

GARDENA accorde pour cet appareil la garantie légale à compter du jour de l'achat. Le carter en polypropylène est, lui, garanti 10 ans. La garantie est assurée par le remplacement gratuit des pièces défectueuses ou de l'appareil. Le choix en étant laissé à la libre initiative de GARDENA. En tout état de cause s'applique la garantie légale couvrant toutes les conséquences des défauts ou vices cachés (article 1641 et suivants du Code Civil).

Pour que ces garanties soient valables, les conditions suivantes doivent être remplies :

- L'appareil a été manipulé de manière adéquate, suivant les instructions du mode d'emploi.
- Il n'y a eu aucun essai de réparation, ni par le client, ni par un tiers.

Les lames triangulaires (Hatrick) / lames rectangulaires (MulchCut) et le rouleau d'aération sont des pièces d'usure et sont par conséquent exclues de la garantie.

Une intervention sous garantie ne prolonge pas la durée initiale de la garantie contractuelle.

**Toutes les revendications dépassant le contenu de ce texte ne sont pas couvertes par la garantie, quel que soit le motif de droit.**

**Pendant la période de garantie, le Service Après-Vente et les Centres SAV agréés effectueront, à titre payant, les réparations nécessaires par suite de manipulations erronées.**

En cas de réclamation, veuillez envoyer le produit en port payé avec le bon d'achat et une description du problème, à l'adresse du Service Après-Vente figurant au verso.

## NL

### Garantie

GARDENA geeft op dit product de wettelijke garantie (vanaf de aankoopdatum). Op het kunststof maaihuis is echter een garantie van 10 jaar van toepassing. Deze garantie heeft betrekking op alle wezenlijke defecten aan het toestel, die aanwijsbaar op materiaal- of fabricagefouten berusten. Garantie vindt plaats door de levering van een vervangend apparaat of door de gratis reparatie van het ingestuurde apparaat, naar onze keuze, indien aan de volgende voorwaarden is voldaan:

- Het apparaat werd vakkundig en volgens de adviezen in de gebruiksaanwijzing behandeld.
- Noch de koper, noch een derde persoon heeft getracht het apparaat te repareren.

De aan slijtage onderhevige driehoeksmessen (Hatrick) / rechthoeksmessen (Hatrick-mulchmaaier) en de verticuteerrol vallen niet onder de garantie.

Deze garantie van de producent heeft geen betrekking op de ten aanzien van de handelaar/verkoper bestaande aansprakelijkheid.

**Deutschland**

GARDENA Kress + Kastner GmbH  
GARDENA Service  
Hans-Lorenser-Straße 40  
D-89079 Ulm  
Produktfragen: (07 31) 490-123  
Reparaturen: (07 31) 490-290

**Argentina**

Argensem S.A.  
Venezuela 1075  
(1618) El Talar - Buenos Aires

**Australia**

NYLEX Corporation Ltd.  
25-29 Nepean Highway  
P.O. Box 68  
Mentone, Victoria 3194

**Austria**

GARDENA Österreich Ges. m.b.H.  
Stettnerweg 11-15  
2100 Korneuburg

**Belgium**

MARKT (Belgium) NV/SA  
Sterrebeekstraat 163  
1930 Zaventem

**Brazil**

M. Cassab  
Av. das Nações Unidas, 20.882  
Santo Amaro, CEP 04795-000  
São Paulo - S.P.

**Bulgaria / България**

ДЕНЕКС ООД  
бул. „Черни връх“ 43  
София 1407

**Canada**

GARDENA Canada Ltd.  
100, Summerlea Road  
Brampton, Ontario  
Canada L6T 4X3

**Chile**

Antonio Martinic Y CIA. LTDA.  
Gilberto Fuenzalida 185 Loc.  
Las Condes - Santiago de Chile

**Costa Rica**

Compania Exim  
Euroiberoamericana S.A.  
350 Sur del Automercado  
Los Yoses  
San Pedro

**Cyprus**

FARMOKIPIKI LTD  
P.O. Box 7098  
74, Digeni Akrita Ave.  
1641 Nicosia

**Czech Republic**

GARDENA spol. s.r.o.  
Řípská 20  
62700 Brno

**Denmark**

GARDENA Danmark A/S  
Naverland 8  
2600 Glostrup

**Finland**

Habitec Oy  
Martinkyläntie 52  
01720 Vantaa

**France**

GARDENA France  
Service Après-Vente  
BP 50080  
95948 ROISSY CDG Cedex

**Great Britain**

GARDENA UK Ltd.  
27-28 Brenkley Way  
Blezard Business Park  
Seaton Burn  
Newcastle upon Tyne  
NE13 6DS

**Greece**

Agrokip G. Psomadopoulos & Co.  
20, Lykourgou str.  
Kallithea - Athens

**Hungary**

GARDENA Magyarország Kft.  
Késmárk utca 22  
1158 Budapest

**Iceland**

Heimilistaeki hf  
Saetun 8  
P.O. Box 5340  
125 Reykjavik

**Republic of Ireland**

Michael McLoughlin & Sons  
Hardware Limited  
Long Mile Road  
Dublin 12

**Italy**

GARDENA Italia S.r.l.  
Via Donizetti 22  
20020 Lainate (Mi)

**Japan**

KAKUDAI Mfg. Co. Ltd.  
1-4-4, Itachibori Nishi-ku  
Osaka 550

**Luxembourg**

Magasins Jules Neuberg  
Grand Rue 30  
Case Postale No. 12  
Luxembourg 2010

**Netherlands**

GARDENA Nederland B.V.  
Postbus 50176  
1305 AD ALMERE

**Neth. Antilles**

Jonka Enterprises N.V.  
Sta. Rosa Weg 196  
P.O. Box 8200  
Curaçao

**New Zealand**

NYLEX New Zealand Limited  
Private Bag 94001  
South Auckland Mail Centre  
10 Offenhauser Drive  
East Tamaki, Manukau

**Norway**

GARDENA Norge A/S  
Postboks 214  
2013 Skjetten

**Poland**

GARDENA Polska Sp. z o.o.  
Szymanów 9 d  
05-532 Baniocha

**Portugal**

MARKT (Portugal), Lda.  
Recta da Granja do Marquês  
Edif. GARDENA  
Algueirão  
2725-596 Mem Martins

**Russia / Россия**

АО АМИДА ТТЦ  
ул. Мосфильмовская 66  
117330 Москва

**Singapore**

Variware  
Holland Road Shopping Centre  
227-A 1st Fl., Unit 29  
Holland Avenue  
Singapore 1027

**Slovenia / Croatia**

Silk d.o.o. Trgovina  
Brodišče 15  
1236 Trzin

**South Africa**

GARDENA South Africa (Pty.) Ltd.  
P.O. Box 11534  
Vorna Valley 1686

**Spain**

ANMI Andreu y Miriam S.A.  
Calle Pere IV, 111  
08018 Barcelona

**Sweden**

GARDENA Svenska AB  
Box 9003  
20039 Malmö

**Switzerland**

GARDENA Kress + Kastner AG  
Bitziberg 1  
8184 Bachenbülach

**Ukraine / Украина**

АОЗТ АЛЬЦЕСТ  
ул. Гайдара 50  
г. Киев 01033

**Turkey**

Dost Diş Ticaret Mümessillik A.Ş.  
Yeşilbağlar Mah. Başkent  
Cad. No. 26  
Pendik - İstanbul

**USA**

GARDENA  
3085 Shawnee Drive  
Winchester, VA 22604

4005-20.960.07/0021  
GARDENA Kress + Kastner GmbH  
Postfach 27 47, D-89070 Ulm  
<http://www.gardena.com>

11008