

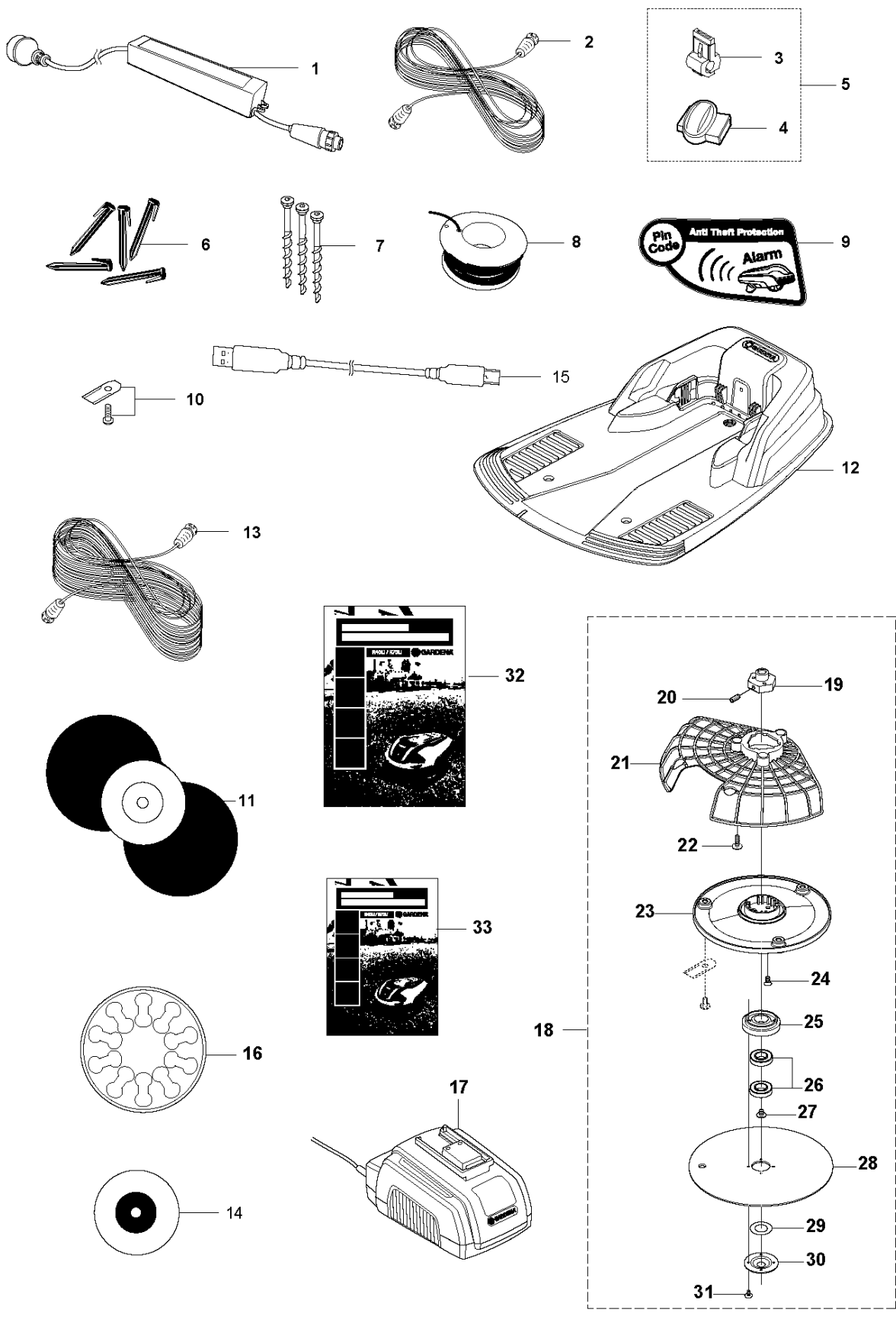


# SPARE PARTS LIST

ROBOTIC LAWN MOWERS

R40Li, 2013-06

**F** GARDENA R40Li/R45Li  
ACCESSORIES



## ACCESSORIES

R40Li, 2013-06

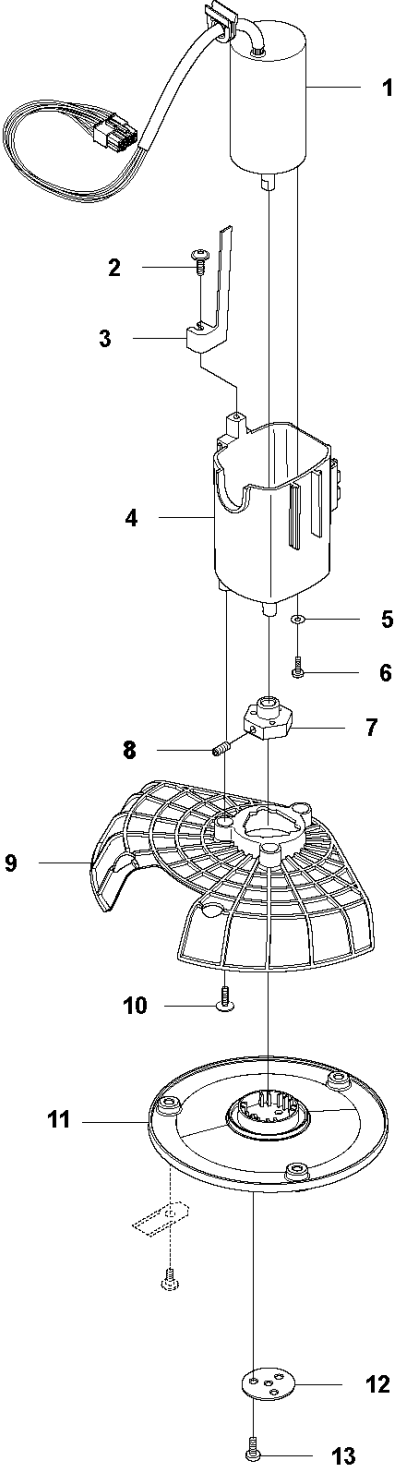
Ref	Part No	Description	Remark	QTY	KIT
1	577 97 51-01	POWER UNIT	EU	1	
1	577 97 51-02	POWER UNIT	UK	1	
1	577 97 51-05	POWER UNIT	AU-NZ	1	
1	577 97 51-03	POWER UNIT	CH	1	
2	577 23 35-01	CABLE	(10 m)	1	
3	535 12 90-01	COUPLER	(1pcs)	1	5
4	501 98 02-01	COUPLER	(1pcs)	1	5
4	501 98 02-02	COUPLER	(50pcs)	1	
5	966 80 97-01	COUPLER		1	
5	Gardena408920	TBD		1	
5	579 04 81-01	ACCESSORY BAG		1	
6	966 80 98-01	STAPLE	(100pcs)	1	
6	Gardena409020	TBD	(100pcs)	1	
7	575 23 86-02	SCREW KIT	(3pcs)	1	
8	966 80 96-01	WIRE	(150m)	1	
8	Gardena408820	TBD	(150m)	1	
8	580 66 20-03	WIRE	(200m)	1	
8	501 98 03-01	WIRE	(250m)	1	
9	578 91 06-01	LABEL		1	
10	966 80 95-01	BLADE	(9pcs)	1	
10	Gardena408720	TBD	(9pcs)	1	
11	578 90 91-01	CD		1	
12	579 39 24-01	KIT		1	
13	577 23 35-02	CABLE	(20 m)	1	
14	577 85 81-02	DVD		1	
15	577 51 81-01	CABLE		1	
16	581 84 28-01	STICKER		1	
17	966 41 01-01	BATTERY CHARGER		1	
18	584 97 34-01	SKID PLATE		1	
19	580 79 31-01	HUB		1	18
20	576 21 35-01	SCREW IHSETM		1	18
21	577 85 02-02	GUARD		1	18
22	575 54 33-14	SCREW	(14mm)	3	18
23	580 79 28-01	CUTTING DISC		1	18
24	535 13 05-01	SCREW		3	18
25	535 12 64-01	BEARING BOX		1	18
26	535 07 57-02	BALL BEARING		1	18
27	535 07 60-01	SCREW		1	18
28	580 79 27-01	SKID PLATE		1	18
29	535 08 25-01	GASKET		1	18
30	535 08 15-01	COVER WASHER		1	18
31	575 54 33-10	SCREW		4	18
32	115 59 09-01	OPERATOR'S MANUAL	Swedish	1	
32	115 59 09-06	OPERATOR'S MANUAL	Danish	1	
32	115 59 09-11	OPERATOR'S MANUAL	Finnish	1	
32	115 59 09-21	OPERATOR'S MANUAL	Norwegian	1	
32	115 59 09-26	OPERATOR'S MANUAL	English	1	
32	115 59 09-31	OPERATOR'S MANUAL	French	1	
32	115 59 09-36	OPERATOR'S MANUAL	Dutch	1	
32	115 59 09-41	OPERATOR'S MANUAL	Italian	1	
32	115 59 09-46	OPERATOR'S MANUAL	Spanish	1	
32	115 59 09-51	OPERATOR'S MANUAL	German	1	
32	115 59 09-59	OPERATOR'S MANUAL	Portuguese	1	
32	115 59 09-84	OPERATOR'S MANUAL	Slovenian	1	
33	115 49 66-01	QUICK GUIDE	Swedish	1	
33	115 49 66-06	QUICK GUIDE	Danish	1	
33	115 49 66-11	QUICK GUIDE	Finnish	1	
33	115 49 66-21	QUICK GUIDE	Norwegian	1	
33	115 49 66-26	QUICK GUIDE	English	1	
33	115 49 66-31	QUICK GUIDE	French	1	
33	115 49 66-36	QUICK GUIDE	Dutch	1	

## ACCESSORIES

R40Li, 2013-06

Ref	Part No	Description	Remark	QTY KIT
33	115 49 66-41	QUICK GUIDE	Italian	1
33	115 49 66-46	QUICK GUIDE	Spanish	1
33	115 49 66-51	QUICK GUIDE	German	1
33	115 49 66-59	QUICK GUIDE	Portuguese	1
33	115 49 66-84	QUICK GUIDE	Slovenian	1

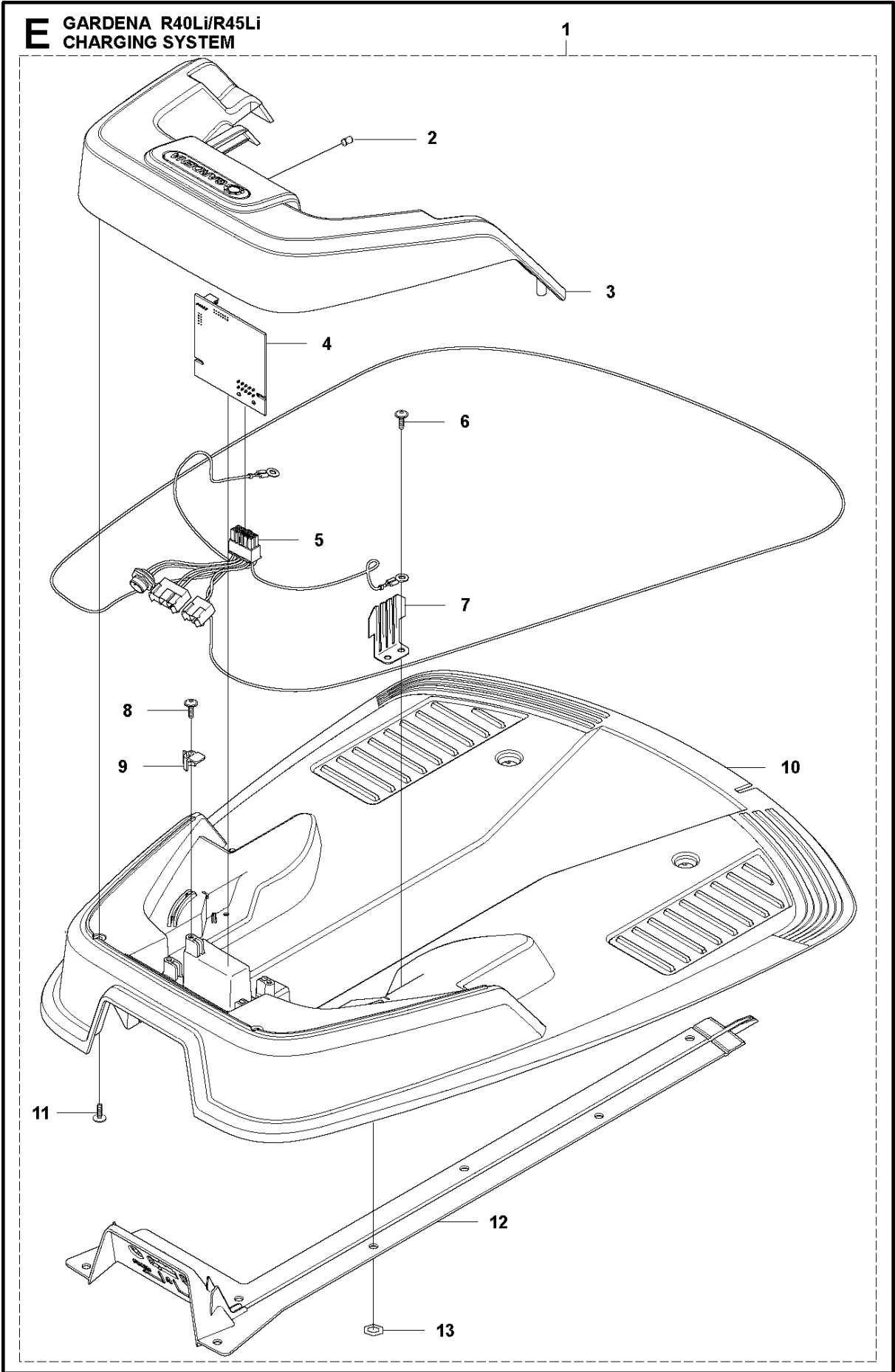
**D** GARDENA R40Li/R45Li  
BLADE MOTOR & CUTTING EQUIPMENT



## BLADE MOTOR &amp; CUTTING EQUIPMENT

R40Li, 2013-06

Ref	Part No	Description	Remark	QTY KIT
1	574 46 89-01	MOTOR		1
2	575 54 33-14	SCREW	grey (14mm)	1
3	574 50 35-01	HEIGHT INDICATOR		1
4	574 48 45-01	MOTOR HOUSING		1
5	510 01 95-01	WASHER STEEL		3
6	510 01 87-02	SCREW		3
7	574 37 35-01	HUB		1
8	576 21 35-01	SCREW IHSETM		1
9	577 85 02-01	GUARD		1
10	575 54 33-14	SCREW	grey (14mm)	3
11	574 48 71-01	CUTTING DISC		1
12	577 09 32-01	WASHER		1
13	576 21 38-01	SCREW ITXPANM		3

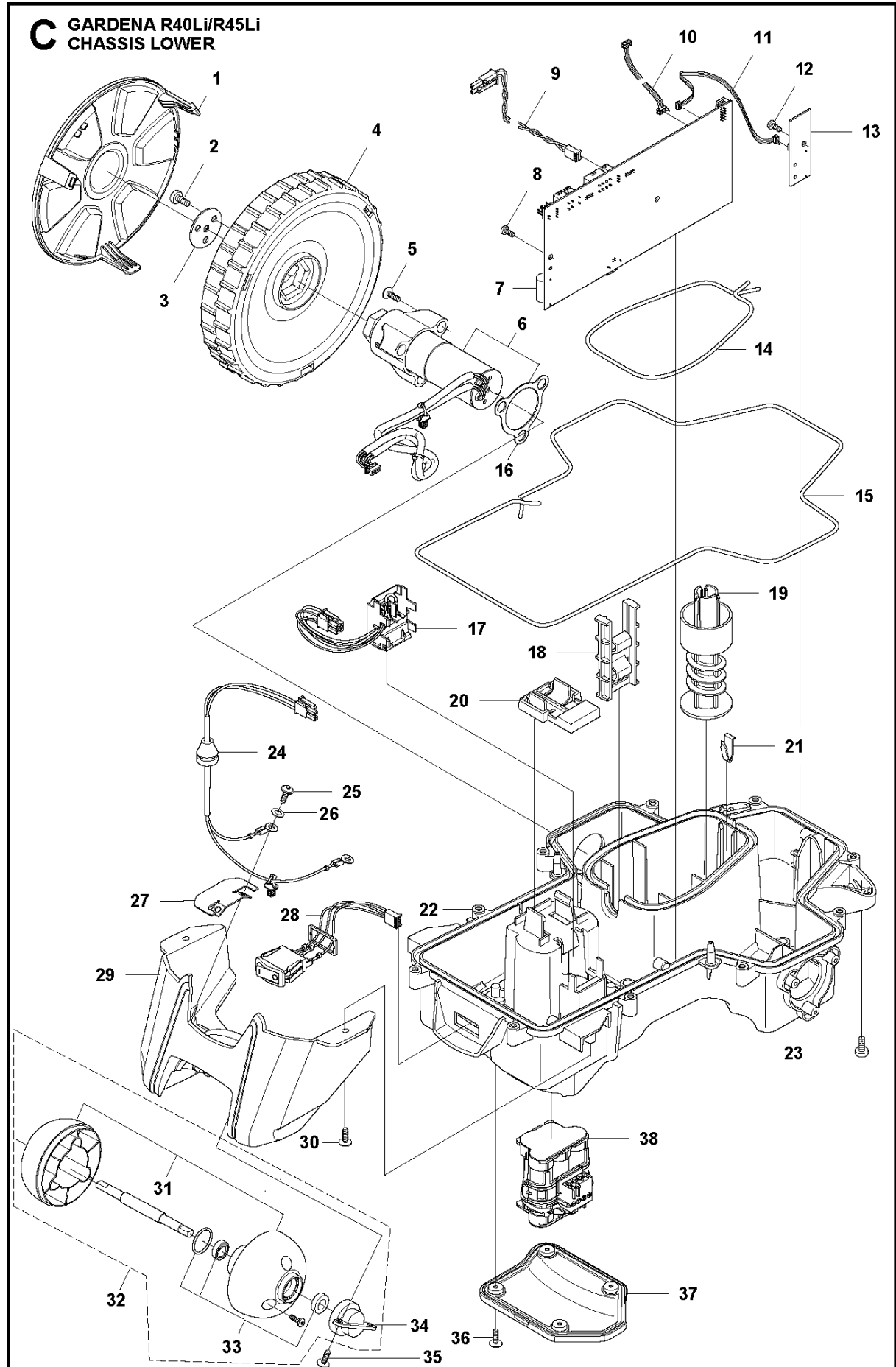


## CHARGING STATION

R40Li, 2013-06

Ref	Part No	Description	Remark	QTY	KIT
1	579 39 24-01	KIT		1	
2	535 12 87-02	DIODE LENS		1	3
3	579 39 23-01	KIT		1	1
4	576 24 26-01	PRINTED CIRCUIT ASSY		1	1
5	574 47 65-01	LOOM		1	1
6	575 54 33-14	SCREW	grey (14mm)	2	1
7	575 85 00-01	CHARGER CONTACT		2	1
8	575 54 33-14	SCREW	grey (14mm)	2	1
9	535 12 79-01	BRACKET		2	1
10	575 70 83-02	CHARGING STATION		1	1
11	575 54 33-14	SCREW	grey (14mm)	4	1
12	575 70 85-01	CHARGING STATION		1	1
13	577 51 22-01	NUT		19	1



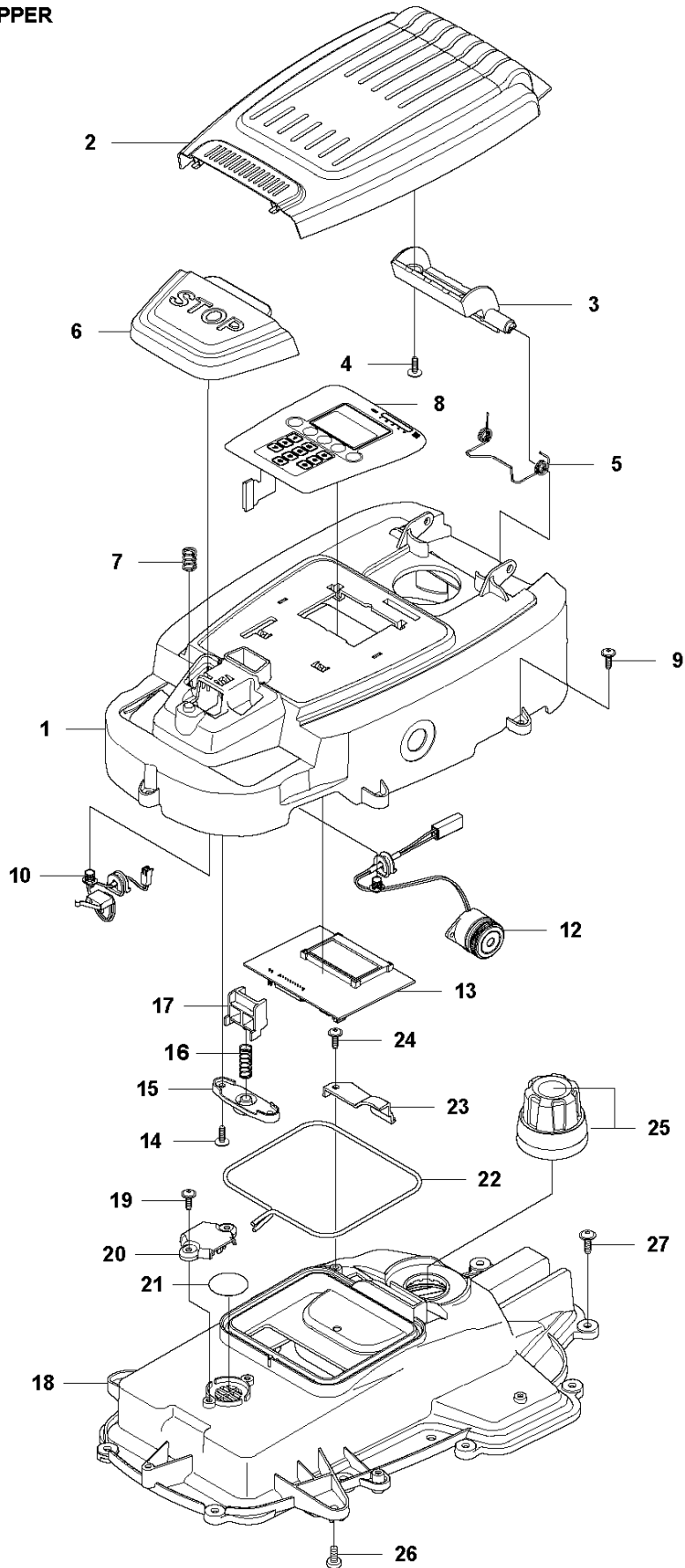


## CHASSIS LOWER

R40Li, 2013-06

Ref	Part No	Description	Remark	QTY	KIT
1	577 70 79-01	HUB CAP		2	
2	576 21 39-02	SCREW ITXPANM		6	
3	577 09 32-01	WASHER		2	
4	574 46 51-01	WHEEL		2	
5	575 54 33-14	SCREW	grey (14mm)	6	
6	577 83 99-02	WHEEL MOTOR ASSY	incl. sealing	2	
7	575 64 05-01	PRINTED CIRCUIT ASSY	(MCB)	1	
8	535 13 03-10	SCREW ITXPANT	(10mm)	2	
9	576 22 02-01	LOOM		1	
10	574 47 92-01	LOOM		1	
11	574 47 90-01	LOOM		1	
12	535 13 03-10	SCREW ITXPANT	(10mm)	1	
13	575 64 09-01	PRINTED CIRCUIT ASSY		1	
14	577 75 36-02	KIT	(10 pcs)	1	
15	577 84 36-02	SEALING STRIP	(10 pcs)	1	
16	574 37 37-01	GASKET		2	6
17	574 47 98-01	LOOM		1	
18	574 50 19-01	GUIDE RAIL		2	
19	574 48 46-01	SCREW		1	
20	575 40 82-01	LOCK		1	
21	577 10 32-01	LOCKING SPRING		1	
22	577 84 62-01	CHASSIS	incl sealing	1	
23	576 21 39-01	SCREW ITXPANM		2	
24	574 47 77-02	LOOM		1	
25	575 54 33-14	SCREW	grey (14mm)	2	
26	535 08 74-01	WASHER		2	
27	574 49 00-01	CHARGING PLATE		2	
28	574 47 94-01	SWITCH		1	
29	574 46 72-01	HOUSING		1	
30	575 54 33-14	SCREW	grey (14mm)	3	
31	583 85 39-01	REAR WHEEL		1	32
32	578 27 51-01	REAR WHEEL		1	
33	578 27 52-01	REAR WHEEL	Bearing (x2), sealing (x2), O-ring (x1)	1	32
34	577 71 50-01	BEARING HOUSING		2	32
35	575 54 33-14	SCREW	grey (14mm)	4	
36	574 45 01-01	SCREW ITXPANT		4	
37	574 46 73-01	COVER		1	
38	574 47 68-01	BATTERY	18V	1	

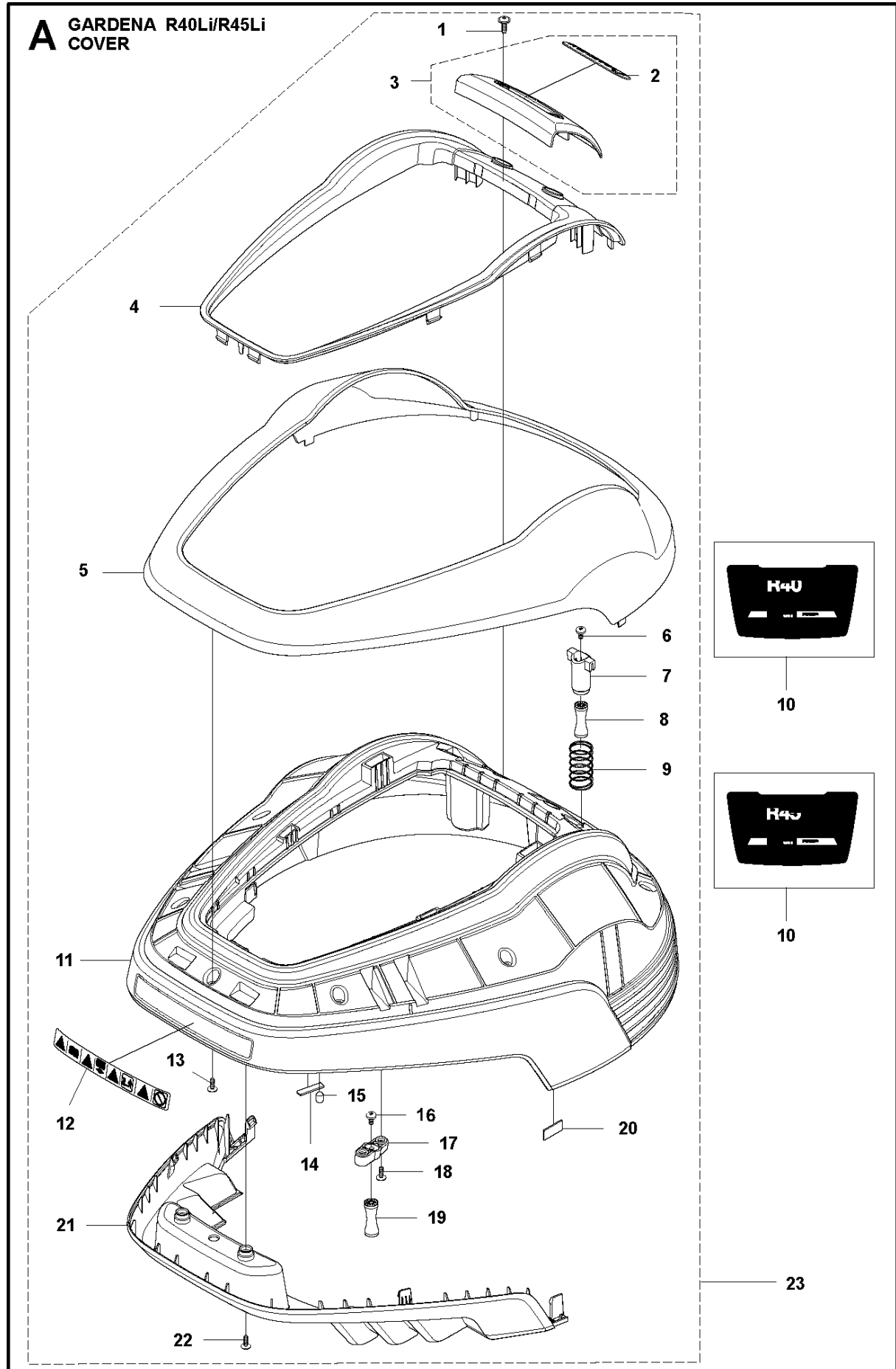
**B** GARDENA R40Li/R45Li  
CHASSIS UPPER



## CHASSIS UPPER

R40Li, 2013-06

Ref	Part No	Description	Remark	QTY	KIT
1	579 39 19-01	KIT		1	
2	577 70 72-01	COVER		1	
3	577 70 78-01	HINGE		1	
4	575 54 33-14	SCREW	grey (14mm)	2	
5	578 44 52-01	SPRING		1	
6	577 70 66-01	BUTTON		1	
7	574 48 70-01	SPRING		1	
8	577 70 83-01	KEYBOARD		1	1
9	575 54 33-14	SCREW	grey (14mm)	5	
10	574 48 03-01	SWITCH		1	
12	574 47 59-01	BUZZER		1	
13	575 64 01-01	PRINTED CIRCUIT ASSY		1	
14	575 54 33-14	SCREW	grey (14mm)	2	
15	575 41 58-01	SPRING HOLDER		1	
16	576 24 22-01	SPRING		1	
17	575 40 90-01	LOCK		1	
18	579 39 20-01	KIT		1	
19	575 54 33-14	SCREW	grey (14mm)	2	
20	576 69 70-01	COVER		1	
21	577 75 37-01	KIT	(10 pcs)	1	
22	577 75 36-02	KIT	(10 pcs)	1	
23	576 05 39-01	COVER		1	
24	575 54 33-14	SCREW	grey (14mm)	1	
25	579 39 22-01	KIT		1	
26	576 21 39-01	SCREW ITXPANM		2	
27	574 45 01-01	SCREW ITXPANT		10	



## COVER

R40Li, 2013-06

Ref	Part No	Description	Remark	QTY KIT
1	575 54 33-14	SCREW	grey (14mm)	2
2	577 97 19-01	DECAL		1
3	579 39 21-05	PLATE KIT		1
4	577 70 76-01	FRAME		1
5	577 70 73-01	COVER		1
6	576 21 39-01	SCREW ITXPANM		2
7	574 46 90-02	BRACKET		2
8	574 46 91-02	RUBBER DAMPER		2
9	574 48 51-02	SPRING		2
10	580 92 80-01	LABEL	R40Li	1
11	579 39 17-01	KIT		1
12	577 88 06-02	LABEL		1
13	575 54 33-14	SCREW	grey (14mm)	7
14	576 03 01-01	PLATE		1
15	576 18 33-01	MAGNET		1
16	576 21 39-01	SCREW ITXPANM		2
17	575 41 60-02	SUPPORT CLAMP		2
18	575 54 33-14	SCREW	grey (14mm)	4
19	574 46 91-02	RUBBER DAMPER		2
20	576 18 32-01	MAGNET		1
21	577 70 65-01	BUMPER		1
22	575 54 33-14	SCREW	grey (14mm)	2
23	577 95 53-05	BODY SYSTEM	Complete excl. Model sticker	1