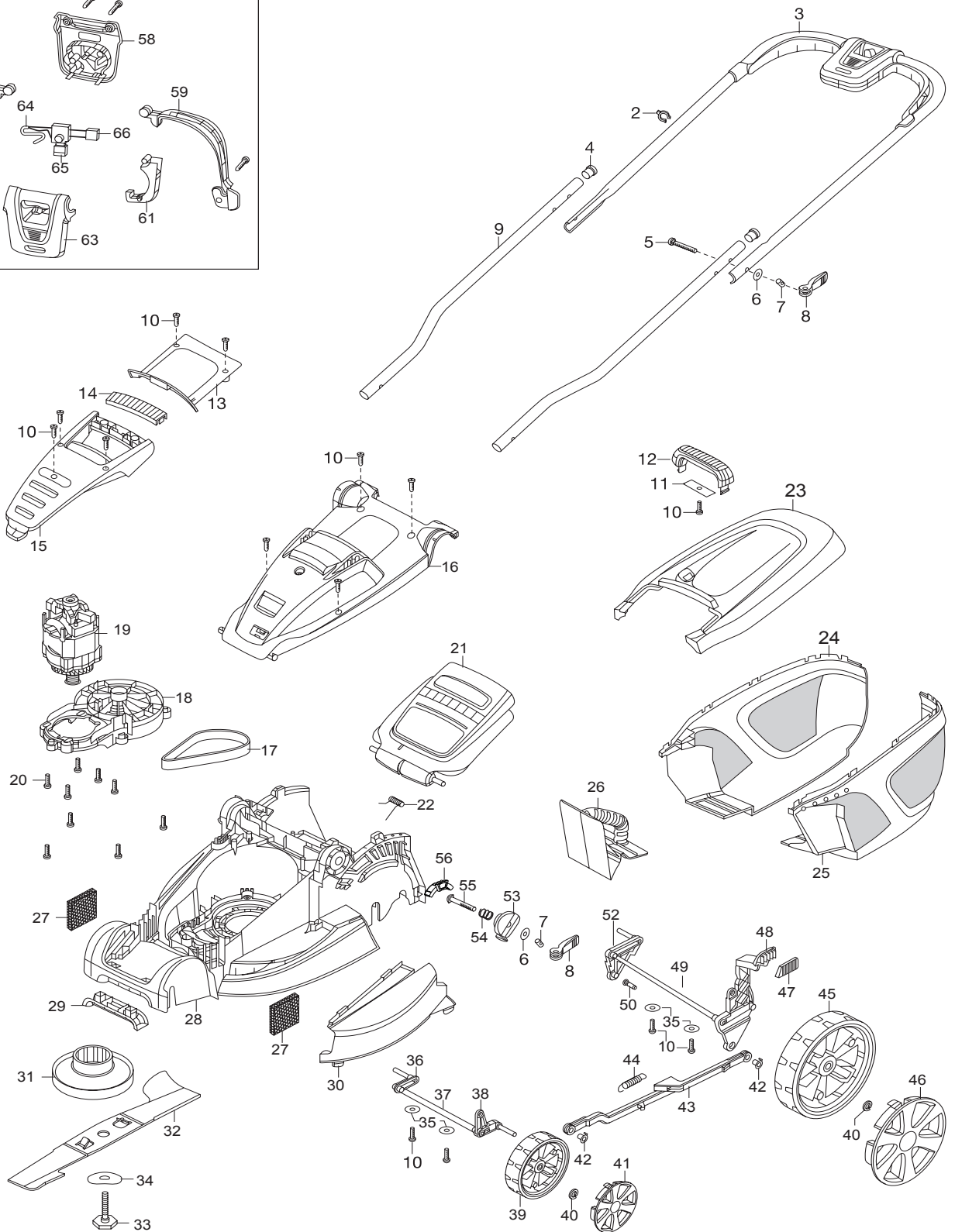
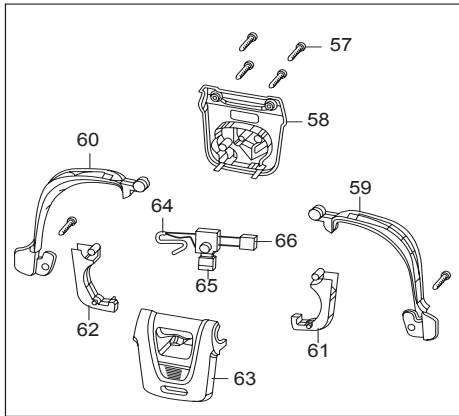




PowerMax 36 E
PowerMax 42 E



IPL Gardena Powermax 36 4037-20 4037-22 2013-11

| Key | Part No | Description | Qty | Model | Product No |
|-------|------------|-----------------------------------|-----|-------------------|------------|
| 2 | 5138574-00 | CABLE CLIP | 1 | | |
| 3 | 5768422-01 | HANDLE UPPER | 1 | | |
| 4+9 | 5228034-01 | HANDLE LOWER FIXING KIT INC. PLUG | 2 | | |
| 5-7 | 5107217-03 | FIXING KIT | 2 | | |
| 8 | 5771347-01 | CAM LOCK | 4 | | |
| 10 | 5107229-01 | SCREW 6 SPLINE 5MM DIA | 13 | | |
| 11-12 | 5103104-01 | HANDLE ASSY GRASSBOX | 1 | | |
| 13 | 5052546-02 | COWL MOTOR REAR COVER | 1 | | |
| 14 | 5052547-02 | HANDLE INSERT COWL | 1 | | |
| 15 | 5052545-02 | COWL MOTOR COVER UPPER | 1 | | |
| 16 | 5052544-04 | COWL MOTOR LOWER | 1 | | |
| 17 | 5755026-01 | BELT | 1 | | |
| 18 | 5796574-01 | BASEPLATE 36CM | 1 | | |
| 19 | 5791460-01 | MOTOR 36CM | 1 | | |
| 20 | 5131191-00 | SCREW-CAP WASHER 6 SPLINE | 9 | | |
| 21 | 5742582-01 | FLAP SAFETY 36CM ASSY | 1 | | |
| 22 | 5054743-01 | SAFETY FLAP SPRING | 1 | | |
| 23 | 5052590-04 | LID GRASSBOX | 1 | | |
| 24-25 | 5742011-02 | GRASSBOX LOWER ASSY 36CM | 1 | | |
| 26 | 5100690-02 | MULCH PLUG | 1 | | |
| 27 | 5253007-01 | FILTER-FLAME RETARDANT | 2 | | |
| 28 | 5782117-01 | DECK 36CM GREY | 1 | Up to end of 2011 | |
| 28 | 5742585-02 | DECK 36CM GREY | 1 | From 2012 | |
| 29 | 5107816-67 | HANDLE GRIP FRONT BLACK | 1 | | |
| 30 | 5107807-02 | COVER PLATE HEIGHT ADJUST 36 | 1 | | |
| 31 | 5107826-00 | IMPELLER ADAPTOR | 1 | | |
| 32 | 5773425-01 | BLADE 36CM | 1 | | |
| 33-34 | 5107779-00 | BLADE BOLT INC. WASHER | 1 | | |
| 35 | 5139189-00 | WASHER (PLAIN) (6936501) | 4 | | |
| 36 | 5743826-01 | SPACER AXLE RH FRONT | 1 | | |
| 37 | 5743831-01 | AXLE FRONT 36CM | 1 | | |
| 38 | 5743827-01 | SPACER AXLE FRONT LH | 1 | | |
| 39 | 5293170-67 | FRONT WHEEL | 2 | | |
| 40 | 5149680-00 | 10MM STARLOCK WASHER | 4 | | |
| 41 | 5052540-06 | HUB CAP FRONT | 2 | | |
| 42 | 5131091-67 | CLAMPING BUSH | 2 | | |
| 43 | 5103622-01 | ROD LINK PRINTED | 1 | | |
| 44 | 5108051-00 | SPRING COUNTER BALANCE | 1 | | |
| 45 | 5293171-67 | REAR WHEEL | 2 | | |
| 46 | 5052543-06 | HUB CAP REAR | 2 | | |
| 47 | 5052528-03 | HEIGHT ADJUST ARM COVER | 1 | | |
| 48 | 5743830-02 | ARM HEIGHT ADJUST | 1 | | |
| 49 | 5743832-01 | AXLE REAR 36CM | 1 | | |
| 50 | 5107634-00 | PIN | 2 | | |
| 52 | 5743828-01 | SPACER AXLE REAR RH | 1 | | |
| 53 | 5777279-02 | PIVOT BLOCK | 2 | | |
| 54 | 5107212-00 | SPRING | 2 | | |
| 55 | 5148859-04 | BOLT SQUARE HD | 2 | | |
| 56 | 5777281-68 | PIVOT BLOCK INSERT GREY | 4 | | |
| 57-66 | 5053310-03 | SWITCHBOX COMPLETE | 1 | CH | |
| 57-66 | 5746459-01 | SWITCHBOX COMPLETE | 1 | EU | |

IPL Gardena Powermax 42 4043-20 4043-22 2013-11

| Key | Part No | Description | Qty | Model | Product No |
|-------|------------|-----------------------------------|-----|-------------------|------------|
| 2 | 5138574-00 | CABLE CLIP | 1 | | |
| 3 | 5768422-01 | HANDLE UPPER | 1 | | |
| 4+9 | 5228034-01 | HANDLE LOWER FIXING KIT INC. PLUG | 2 | | |
| 5-7 | 5107217-03 | FIXING KIT | 2 | | |
| 8 | 5771347-01 | CAM LOCK | 4 | | |
| 10 | 5107229-01 | SCREW 6 SPLINE 5MM DIA | 13 | | |
| 11-12 | 5103104-01 | HANDLE ASSY GRASSBOX | 1 | | |
| 13 | 5052546-02 | COWL MOTOR REAR COVER | 1 | | |
| 14 | 5052547-02 | HANDLE INSERT COWL | 1 | | |
| 15 | 5052545-02 | COWL MOTOR COVER UPPER | 1 | | |
| 16 | 5052544-04 | COWL MOTOR LOWER | 1 | | |
| 17 | 5755026-01 | BELT | 1 | | |
| 18 | 5102248-01 | BASEPLATE 42CM | 1 | | |
| 19 | 5117899-80 | MOTOR 42CM | 1 | | |
| 20 | 5131191-00 | SCREW-CAP WASHER 6 SPLINE | 9 | | |
| 21 | 5052536-02 | FLAP SAFETY 42CM ASSY | 1 | | |
| 22 | 5054743-01 | SAFETY FLAP SPRING | 1 | | |
| 23 | 5052590-04 | LID GRASSBOX | 1 | | |
| 24-25 | 5742012-02 | GRASSBOX LOWER ASSY 42CM | 1 | | |
| 26 | 5100690-02 | MULCH PLUG | 1 | | |
| 27 | 5253007-01 | FILTER-FLAME RETARDANT | 2 | | |
| 28 | 5782118-01 | DECK 42CM GREY | 1 | Up to end of 2011 | |
| 28 | 5745207-02 | DECK 42CM GREY | 1 | From 2012 | |
| 29 | 5107816-67 | HANDLE GRIP FRONT BLACK | 1 | | |
| 30 | 5107839-02 | COVER PLATE HEIGHT ADJUST 42 | 1 | | |
| 31 | 5107826-00 | IMPELLER ADAPTOR | 1 | | |
| 32 | 5773426-01 | BLADE 42CM | 1 | | |
| 33-34 | 5107779-00 | BLADE BOLT INC. WASHER | 1 | | |
| 35 | 5139189-00 | WASHER (PLAIN) (6936501) | 4 | | |
| 36 | 5743826-01 | SPACER AXLE RH FRONT | 1 | | |
| 37 | 5743861-01 | AXLE FRONT 42CM | 1 | | |
| 38 | 5743827-01 | SPACER AXLE FRONT LH | 1 | | |
| 39 | 5293170-67 | FRONT WHEEL | 2 | | |
| 40 | 5149680-00 | 10MM STARLOCK WASHER | 4 | | |
| 41 | 5052540-06 | HUB CAP FRONT | 2 | | |
| 42 | 5131091-67 | CLAMPING BUSH | 2 | | |
| 43 | 5103622-01 | ROD LINK PRINTED | 1 | | |
| 44 | 5108051-00 | SPRING COUNTER BALANCE | 1 | | |
| 45 | 5293171-67 | REAR WHEEL | 2 | | |
| 46 | 5052543-06 | HUB CAP REAR | 2 | | |
| 47 | 5052528-03 | HEIGHT ADJUST ARM COVER | 1 | | |
| 48 | 5743830-02 | ARM HEIGHT ADJUST | 1 | | |
| 49 | 5743862-01 | AXLE REAR 42CM | 1 | | |
| 50 | 5107634-00 | PIN | 2 | | |
| 52 | 5743828-01 | SPACER AXLE REAR RH | 1 | | |
| 53 | 5777279-02 | PIVOT BLOCK | 2 | | |
| 54 | 5107212-00 | SPRING | 2 | | |
| 55 | 5148859-04 | BOLT SQUARE HD | 2 | | |
| 56 | 5777281-68 | PIVOT BLOCK INSERT GREY | 4 | | |
| 57-66 | 5053310-03 | SWITCHBOX COMPLETE | 1 | CH | |
| 57-66 | 5746459-01 | SWITCHBOX COMPLETE | 1 | EU | |