

380 EC Art. 4028

- D Betriebsanleitung**
Elektro-Spindelmäher
-
- GB Operating Instructions**
Electric Cylinder Lawnmower
-
- F Mode d'emploi**
Tondeuse hélicoïdale électrique
-
- NL Instructies voor gebruik**
Elektrische kooimesmaaier
-
- S Bruksanvisning**
Elektrisk Gräsklippare
-
- I Istruzioni per l'uso**
Rasaprato elettrica
-
- E Manual de instrucciones**
Cortacésped con cilindro de corte eléctrico
-
- P Instruções de utilização**
Máquina de cortar relva eléctrica, com fuso
-
- DK Brugsanvisning**
Elektrisk Plæneklipper

GARDENA Electric Cylinder Lawnmower 380 EC



Translation of the original instructions from German.

Please read these operating instructions carefully and observe the notes given. Use these instructions to familiarise yourself with the electric cylinder lawnmower, its correct use and the notes on safety.



For safety reasons, children under the age of 16 as well as persons not familiar with these operating instructions should not use this electric cylinder lawnmower. Persons with reduced physical or mental abilities may use the product only if they are supervised or instructed by a responsible person. Children must be supervised to ensure that they do not play with the product.

→ Please keep these operating instructions in a safe place.

Contents :

1. Where to Use Your GARDENA Cylinder Lawnmower	11
2. Safety instructions	11
3. Assembly	13
4. Function	13
5. Operation	14
6. Putting into Storage	15
7. Maintenance	15
8. Troubleshooting / Service	16
9. Accessories	18
10. Technical Data	18
11. Warranty	18

1. Where to Use Your GARDENA Electric Cylinder Lawnmower

Correct use :

The GARDENA Electric Cylinder Lawnmower has been designed for cutting lawn and grass areas of private houses.

Compliance with these instructions provided by GARDENA is a prerequisite for using the cylinder lawnmower correctly.

Please note :



The Electric Cylinder Lawnmower should not be used for cutting climbing plants or grass on roofs, due to the danger of bodily harm.

2. Safety instructions

→ Please read the notes on safety on the Electric Cylinder Lawnmower.



WARNING !

→ Please read the operating instructions before using the mower!



WARNING !

Sharp blades!



DANGER !

Risk of injury!

→ Keep bystanders away!



→ Remove the plug from the mains socket if the cable is cut through or damaged and / or during maintenance work.



→ **Keep the power cable away from the cutting blades.**

Check each time you use the mower:

Inspect the mower each time before you use it. Do not use the mower if the safety devices (Switch handle, cable strain relief, start button, blade cover) and/or the cutting mechanism are damaged or worn. Replace damaged or worn parts. Never disable safety devices.

Inspect the surface on which the lawn mower is to be used beforehand. Stones, pieces of wood and wires as well as other solid matter must be removed.

Objects which are contacted by the cutting tools could be thrown out uncontrollably or damage the cutting mechanism.

Proper use / Responsibility



WARNING!

Take note that the rotating blade cylinder could cause injuries.

→ **Never place your hands or feet on or under moving parts.**

The safety distance between the blade cylinder and the operator that is created by the guiding spar is to be always maintained.

This electric cylinder lawnmower can cause serious injuries! You are responsible for the safety of the working area.

Do not tilt the mower on its side whilst using it. Never lift or carry the mower with the motor running.

Only use the flexible steerable mower for the purposes specified in these instructions.

Wear sturdy shoes and long trousers to protect your legs.

Make sure you always take up a safe and stable stance whilst working, especially on slopes.

Always mow across the slope, never up and down. Do not mow excessively steep slopes.

Be particularly careful if you change direction on a slope.

Be careful when going backwards.

Risk of stumbling!

Look out for foreign bodies when working (e. g. stones).

Interruptions of work:

Never leave the cylinder mower unattended. If you interrupt your work, pull out the mains plug and store the cylinder mower in a safe place.

When you interrupt work in order to go to another working area, always switch off the electric cylinder lawnmower during transport.

If, despite taking precautions, you strike an object when working or the mower starts to vibrate vigorously, release the switch handle. Pull out the mains plug.

Remove the blockage; check the mower for any damage and have it repaired if necessary.

Environmental influences:

Only work when visibility is good.

Familiarise yourself with the surroundings of your working area. Check for possible risks which might be not audible due to the noise of the machine.

Make sure that there are no other people (especially children) or animals anywhere near the working area.

However, if an obstruction arises whilst working, release the starting handle, unplug the mower from the mains and remove the obstacle. Check the mower for damage and have it repaired if necessary.

Do not use the electric cylinder lawnmower if it is raining or in moist, wet conditions.

Please observe any local restrictions or noise levels.

Electrical safety:



DANGER!

Electric shock!

The electric cylinder lawnmower must only be operated with an undamaged electric cable. If the electric cable or the extension cable is damaged disconnect the mains plug immediately.

The connection cable must be checked regularly for signs of damage and ageing (e.g. cracks).

It is essential to use the cable strain relief on the upper part of the upright.

Do not use the flexible steerable mower close to swimming pools or garden ponds.

For portable units, which are used outdoors, we recommend to use a residual-current device having a residual-current rating ≤ 30 mA.

In Switzerland use of a residual-current device is obligatory.

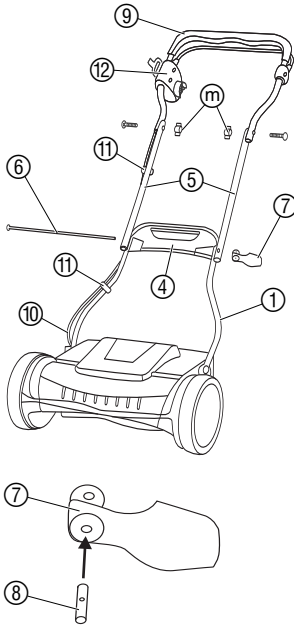
Only use extension cables authorised for outdoor use. Ask your electrician. Keep the extension cable away from the area you are cutting.

The mains voltage and the equipment voltage stated on the type plate must be the same. If extension cables are used, these must comply with the minimum cross-sections in the table below:

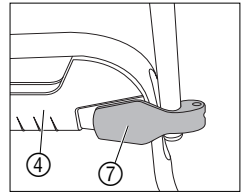
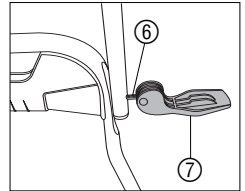
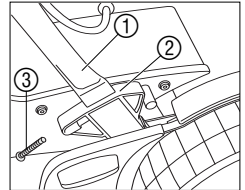
Voltage	Cable length	Cross-section
220 - 240V/ 50 Hz	Up to 50 m	1.5 mm ²
220 - 240V/ 50 Hz	50 - 100 m	2.5 mm ²

3. Assembly

Assembling the handle:



1. Insert lower part of bottom upright ① into upright holders ② up to stop and secure with the screws ③.
2. Push connector ④ from underneath into upper part of bottom upright ①.
3. Insert threaded rod ⑥ from left through lower parts of central upright ⑤, upper part of bottom upright ① and connector ④ right up to the stop.
4. Slide threaded bearing ⑧ into clamping lever ⑦.
5. Screw clamping lever ⑦ onto threaded rod ⑥ approx. 4 turns.
6. Move clamping lever ⑦ onto connector ④ and check whether clamping lever ⑦ locks.
7. If clamping lever ⑦ does not yet lock, screw another turn onto threaded rod ⑥. Repeat procedure until clamping lever ⑦ locks on connector ④.
8. Firmly attach bottom part of top upright ⑨ to upper parts of central upright ⑤ using 2 wing nuts m.



The safety starter lock ⑫ on the crossbar ⑨ must then be on the left.

9. Fix the motor cable ⑩ to the upright with the two cable clips ⑪.

4. Function

Mowing correctly:

To produce a well-maintained lawn we recommend cutting the lawn one a week if possible. The lawn becomes thicker if cut frequently.

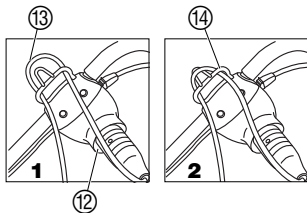
Relatively long cut grass (> 1 cm) must be removed so that the lawn does not become yellow and matted.

After relatively long intervals between mowing (**holiday lawn**), up to max. 12 cm, first of all cut in one direction with the cutting height as high as possible, then cut in the crosswise direction at the cutting height required.

If possible, only cut the grass when it is dry, if the grass is damp, the cutting pattern will be uneven.

5. Operation

Connecting to power supply:



1. Place the connector of the extension cable ⑬ on the plug of the safety starter lock ⑫.
2. Draw a loop of the extension cable ⑬ through the cable strain relief device ⑭ 1 and suspend in position 2.

This prevents inadvertent disconnection of the plug and socket connection.

3. Insert extension cable ⑭ into a mains socket.

Starting electric cylinder lawnmower:



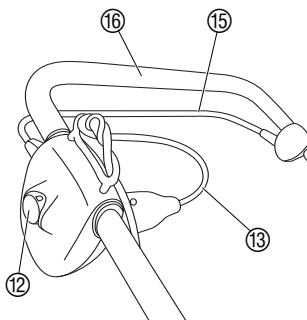
Danger of injury if the cylinder lawnmower does not switch off automatically!

→ Do **not** remove or bridge safety devices fitted to the cylinder lawnmower (e.g. by tying the starting lever to the upper handle)!



Danger! The cylinder does not stop immediately after the motor has been switched off:

- **Never** lift, tip or carry the lawnmower with the motor running!
- **Never** start on solid ground (e.g. asphalt).
- **Always** maintain the safety distance between the cylinder and the user as defined by the guide handle.



1. Place cylinder lawnmower on flat grass surface.
2. Keep safety interlock ⑫ pressed down and pull starting lever ⑮ on the upper handle ③. *The lawnmower starts.*
3. Release safety interlock ⑫.
4. Only push the mower forwards and at walking pace.

When in operation, the extension cable ⑬ must always be guided in the direction you are working and to the side of the area to be worked on. Always work away from the connection cable.

Blockage Protection: If the blade cylinder is blocked, e. g. by a foreign body, release starting lever immediately, disconnect plug from mains socket and remove the blockage.



Danger of injury!

If the thermal response switch responds and the starting handle remains in the ON position, the cylinder mower starts again automatically after cooling down.

→ **Release starting lever immediately.**

Circuit Breaker: If the electric cylinder lawnmower is overloaded over a longer period of time the motor may become hot. To protect the motor from overheating the circuit breaker switches the motor off. You can switch the mower on again after approximately 5 – 10 minutes.

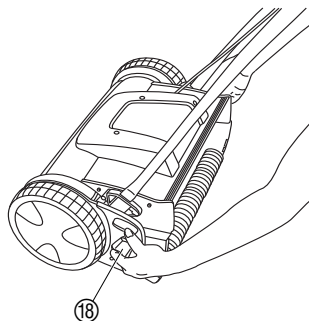
Note: The cylinder mower can be used in electric mode or as a push-lawnmower without the electric drive.

Adjusting the cutting height:



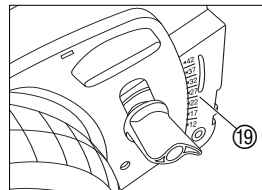
DANGER ! Cutting tool can cause injuries!

→ **When adjusting the cutting height, wait until the blade cylinder is stationary, put on suitable working gloves and unplug from the mains.**



The cutting height can be set to any position between 12 mm and 42 mm.

1. Slacken the two locking screws ⑱ and set to the height required on the scale ⑲.
2. Tighten the two locking screws ⑱ on both sides to the same height.



The locking screws ⑱ must always be set to the same height on both sides.

The mower may only be adjusted to a depth in which the lower blade does not touch the ground when it is uneven.

Mowing with the grass collection sack (accessories):

→ Suspend the grass collection sack in the cylinder mower as described in the Operating Instructions for the grass collection sack.

6. Putting into Storage

Storage:

1. Switch off the lawnmower and pull out the extension cable.
2. Clean mower before storage (see 7. Maintenance).
3. Store mower in a dry, frostproof but cool place out of reach of children.

To save space, the cylinder mower can be folded up by folding the clamping lever.

Disposal:
(in accordance with
RL 2002/96/EC)



The product must not be added to normal household waste. It must be disposed of in line with local environmental regulations.

7. Maintenance



DANGER ! Cutting tool can cause injuries!

→ **Before maintenance, wait until the cutting tool is stationary, wear suitable work gloves and pull out the mains plug.**



DANGER ! Injury to persons and damage to property!

→ **Do not clean mower under running water (especially at high pressure).**

Cleaning the mower:

Deposits affect the cutting result as well as discharge of grass clippings. Residual dirt and grass is easily removed immediately after mowing.

1. Remove grass deposits with a brush and a cloth.
2. Oil the red cutting mechanism lightly with thin oil (e.g. sprayed oil).

8. Troubleshooting / Service



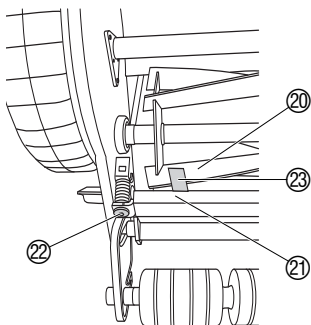
DANGER ! Cutting tool can cause injuries !

→ Before rectifying faults, wait for the cutting tool to stop, wear suitable work gloves and pull out the mains plug.

Problem	Possible cause	Remedy
Abnormal noise, Clattering in the mower	Screws / components loose.	→ Tighten screws or send to GARDENA Service.
	Foreign bodies on the blade.	→ Remove foreign bodies.
	Notch in the blade.	→ Remove notches with grindstone.
	Blades are striking each other too hard.	→ Adjust cutting mechanism.
Motor will not start	Power cable faulty.	→ Unplug from mains and check power cable.
	Fuse / fault current circuit-breaker has responded.	→ Check power cable and replace fuse / switch fault current circuit breaker on again.
	Extension cable may not have a large enough cross-section.	→ Use extension cable with cross-section complying with table (2. Safety references).
	Circuit breaker has been triggered.	→ Wait approx. 5 - 10 minutes then turn on the mower again.
Motor jams and is noisy	Blocked by foreign body. Blocking protection activated.	1. Release starting handle. 2. Unplug mains plug at the socket. 3. Remove foreign body.
	Cutting load too high.	→ Reduce mowing speed and / or raise cutting height.
Motor turns off	The cutting height you have selected is too low; Circuit breaker has been activated.	Let the motor cool for 5 - 10 minutes, then use the mower with a higher cutting height and reduce the cutting height and the mowing speed in stages.
Runs unevenly, mower vibrates significantly	Cutting tool damaged.	→ Have cutting tool checked by an authorised specialist dealer or GARDENA-Service.
	Blade very dirty.	→ Clean blade.

Problem	Possible cause	Remedy
Lawn cut unevenly	Blade set incorrectly.	→ Adjust cutting mechanism.
	Cutting mechanism blunt.	Recommendation: → Have cutting mechanism reground or replaced by GARDENA Service.
	Lawn too long / too wet.	→ See 4. Function "Mowing Tips".

Adjusting the cutting mechanism:



The cutting gear of your lawn mower was optimally adjusted before leaving our company. If, after longer use, a clean cut of the grass is no longer possible or the blade roller contacts the lower blade, then the lower blade should be adjusted.

1. Remove the plug from the mains socket.
2. Check cylinder ⑳ and lower blade ㉑ for notches and remove these with a grindstone if necessary.
3. Unscrew internal hexagon screws ㉒ with an internal hexagon wrench (5 mm) anticlockwise until the cylinder ㉒ turns freely.
4. Push the feeler gauge supplied (thin strip of metal) ㉓ on the left side between one blade ㉒ on the cylinder and the lower blade ㉑.
5. Tighten left internal hexagon screw ㉒ with an internal hexagon wrench (5 mm) until the feeler gauge ㉓ is held gently.
6. Continue turning the cylinder until the blade ㉒, already adjusted on the left side, is exactly above the lower blade ㉑ on the right side.
7. Tighten the right internal hexagon screw ㉒ with an internal hexagon wrench (5 mm) until the feeler gauge ㉓ is held gently.

8. Rotate cylinder ㉒. If a banging noise is produced during this, open up the internal hexagon screw ㉒ slightly on the side affected.

When the cylinder and the lower blade can hardly be heard touching each other, the cutting mechanism has been adjusted correctly.

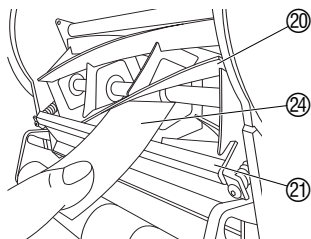
9. Cutting test:

Place a strip of paper ㉔ in such a way on the lower blade ㉑ that it points towards the spindle of the cylinder ㉒.

10. Turn cylinder ㉒ carefully.

If the lower blade is set correctly ㉑ the paper will be cut off as if with scissors.

11. Repeat the cutting test on the other blades ㉒.



Repairs:

⚠ On safety grounds, only original GARDENA spares may be used.

Please contact GARDENA Service if it is necessary to replace the cutting tool, which will only become blunt after several years use if well-maintained.

Have the cylinder mower checked over in the autumn if possible so that it is ready for use immediately when the next lawn-mowing season starts.

If you have any problem with your cylinder mower, please contact our Customer Service.

9. Accessories

GARDENA Grass collecting bag

Saves raking up the cut grass.

Art. No. 4029

10. Technical Data

380 EC (Art. 4028)	
Power rating	400 W
Voltage / Frequency	230 V / 50 Hz
Cutting width / Cutting height	38 cm / 12 – 42 mm
Cutting height adjustment	infinitely variable
Weight	12 kg
Working area related emission characteristic value L_{pA} 1)	77 dB (A)
Noise level L_{WA} 2)	measured 91 dB (A) / guaranteed 92 dB (A)
Vibrations a_{vhw} 1)	< 2,5 m/s ²

Measuring method 1) EN 836 2) RL 2000/14/EG

11. Warranty

GARDENA guarantees this product for 2 years (starting from the date of purchase). This guarantee covers all serious defects of the unit that can be proved to be material or manufacturing faults. Under warranty we will either replace the unit or repair it free of charge if the following conditions apply:

- The unit must have been handled properly and in keeping with the requirements of the operating instructions.
- Neither the purchaser or a non-authorized third party have attempted to repair the unit.

The wearing parts blade cylinder (complete) and lower blade are excluded from the warranty.

This manufacturer's guarantee does not affect the user's existing warranty claims against the dealer/seller.

If a fault occurs with your Electric Cylinder Lawnmower, please return the faulty unit together with a copy of the receipt and a description of the fault, with postage paid to one of the GARDENA Service Centres listed on the back of these operating instructions.

D <i>Produkthaftung</i>	Wir weisen ausdrücklich darauf hin, dass wir nach dem Produkthaftungsgesetz nicht für durch unsere Geräte hervorgerufene Schäden einzustehen haben, sofern diese durch unsachgemäße Reparatur verursacht oder bei einem Teileaustausch nicht unsere Original GARDENA Teile oder von uns freigegebene Teile verwendet werden und die Reparatur nicht vom GARDENA Service oder dem autorisierten Fachmann durchgeführt wird. Entsprechendes gilt für Ergänzungsteile und Zubehör.
GB <i>Product Liability</i>	We expressly point out that, in accordance with the product liability law, we are not liable for any damage caused by our units if it is due to improper repair or if parts exchanged are not original GARDENA parts or parts approved by us, and, if the repairs were not carried out by a GARDENA Service Centre or an authorised specialist. The same applies to spare parts and accessories.
F <i>Responsabilité</i>	Nous vous signalons expressément que GARDENA n'est pas responsable des dommages causés par ses appareils, dans la mesure où ces dommages seraient causés suite à une réparation non conforme, dans la mesure où, lors d'un échange de pièces, les pièces d'origine GARDENA n'auraient pas été utilisées, ou si la réparation n'a pas été effectuée par le Service Après-Vente GARDENA ou l'un des Centres SAV agréés GARDENA. Ceci est également valable pour tout ajout de pièces et d'accessoires autres que ceux préconisés par GARDENA.
NL <i>Productaansprakelijkheid</i>	Wij wijzen er nadrukkelijk op, dat wij op grond van de wet aansprakelijkheid voor producten niet aansprakelijk zijn voor schade ontstaan door onze apparaten, indien deze door onvakkundige reparatie veroorzaakt zijn, of er bij het uitwisselen van onderdelen geen gebruik gemaakt werd van onze originele GARDENA onderdelen of door ons vrijgegeven onderdelen en de reparatie niet door de GARDENA technische dienst of de bevoegde vakman uitgevoerd werd. Ditzelfde geldt voor extra-onderdelen en accessoires.
S <i>Produktansvar</i>	Tillverkaren är inte ansvarig för skada som orsakats av produkten om skadan beror på att produkten har reparerats felaktigt eller om, vid reparation eller utbyte, andra än Original GARDENA reservdelar har använts. Samma sak gäller för kompletteringsdelar och tillbehör.
I <i>Responsabilità del prodotto</i>	Si rende espressamente noto che, conformemente alla legislazione sulla responsabilità del prodotto, non si risponde di danni causati da nostri articoli se originati da riparazioni eseguite non correttamente o da sostituzioni di parti effettuate con materiale non originale GARDENA o comunque da noi non approvato e, in ogni caso, qualora l'intervento non venga eseguito da un centro assistenza GARDENA o da personale specializzato autorizzato. Lo stesso vale per le parti complementari e gli accessori.
E <i>Responsabilidad de productos</i>	Advertimos que conforme a la ley de responsabilidad de productos no nos responsabilizamos de daños causados por nuestros aparatos, siempre y cuando dichos daños hayan sido originados por arreglos o reparaciones indebidas, por recambios con piezas que no sean piezas originales GARDENA o bien piezas autorizadas por nosotros, así como en aquellos casos en que la reparación no haya sido efectuada por un Servicio Técnico GARDENA o por un técnico autorizado. Lo mismo es aplicable para las piezas complementarias y accesorios.
P <i>Responsabilidade sobre o produto</i>	Queremos salientar que segundo a lei da responsabilidade do fabricante, nós não nos responsabilizaremos por danos causados pelo nosso equipamento, quando estes ocorram em decorrência de reparações inadequadas ou da substituição de peças por peças não originais da GARDENA, ou peças não autorizadas. A responsabilidade tornar-se-à nula também em reparações realizadas por oficinas não autorizadas pela GARDENA. Esta restrição valerá também para peças adicionais e acessórios.
DK <i>Produktansvar</i>	Vi gør udtrykkeligt opmærksom på at i henhold til produktansvarsloven er vi ikke ansvarlige for skader forårsaget af vores udstyr, hvis det skyldes uautoriserede reparationer eller hvis dele er skiftet ud og der ikke er anvendt originale GARDENA dele eller dele godkendt af os, eller hvis reparationerne ikke er udført af GARDENA-service eller en autoriseret fagmand. Det samme gælder for ekstra udstyr og tilbehør.

<p>D EG-Konformittserklring</p> <p>Der Unterzeichnete Husqvarna AB, 561 82 Huskvarna, Sweden besttigt, dass die nachfolgend bezeichneten Gerte in der von uns in Verkehr gebrachten Ausfhrung die Anforderungen der harmonisierten EU-Richtlinien, EU-Sicherheitsstandards und produktspezifischen Standards erfllen. Bei einer nicht mit uns abgestimmten nderung der Gerte verliert diese Erklrung ihre Gltigkeit.</p>	<p>Bezeichnung des Gertes: Elektro-Spindelmher Description of the unit: Electric Cylinder Lawnmower Dsignation du matriel : Tondeuse hlicodale lectrique Omschrijving van het apparaat: Elektrische kooimesmaaier Produktbeskrivning: Elektrisk Cylinderklippare Descrizione del prodotto: Rasapratto elettrica Description de la mercancia: Cortacspedes Descrio do aparelho: Mquina de cortar relva lectrica Beskrivelse af enhederne: Elektrisk plneklipper</p>
<p>GB EU Declaration of Conformity</p> <p>The undersigned Husqvarna AB, 561 82 Huskvarna, Sweden, hereby certifies that, when leaving our factory, the units indicated below are in accordance with the harmonised EU guidelines, EU standards of safety and product specific standards. This certificate becomes void if the units are modified without our approval.</p>	<p>Typ: Art.-Nr.: Type: Art. No.: Type : Rfrence : Typ: 380 EC Art. nr.: 4028 Type: 380 EC Art.nr. : 4028 Modello: Art. : Tipo: Art. N: 4028 Tipo: Art. N: Type: Vrenn. :</p>
<p>F Certificat de conformit aux directives europennes</p> <p>Le constructeur, soussign : Husqvarna AB, 561 82 Huskvarna, Sweden, dclare qu' la sortie de ses usines le matriel neuf dsign ci-dessous tait conforme aux prescriptions des directives europennes nonces ci-aprs et conforme aux rgles de scurit et autres rgles qui lui sont applicables dans le cadre de l'Union europenne. Toute modification porte sur ce produit sans l'accord express de Husqvarna supprime la validit de ce certificat.</p>	<p>EU-Richtlinien: Harmonisierte EN: EU directives: 98/37/EC DIN EN ISO 12100 Directives europennes : 2006/42/EC EN 60335-1 EU-richtlijnen: 2004/108/EC EN 60335-2-77 EU direktiv: 2004/108/EC EN 60335-2-77 Direttive UE: 93/68/EC Normativa UE: 2000/14/EC Directrizes da UE: 2000/14/EC EU Retningslinier:</p>
<p>NL EU-overeenstemmingsverklaring</p> <p>Ondergetekende Husqvarna AB, 561 82 Huskvarna, Sweden, bevestigt, dat het volgende genoemde apparaat in de door ons in de handel gebrachte uitvoering voldoet aan de eis van, en in overeenstemming is met de EU-richtlijnen, de EU-veiligheidsstandaard en de voor het product specifieke standaard. Bij een niet met ons afgestemde verandering aan het apparaat verliest deze verklaring haar geldigheid.</p>	<p>Hinterlegte Dokumentation: GARDENA Technische Dokumentation Konformittsbewertungsverfahren: Nach 2000/14/EG Art. 14 Anhang IV Deposited Documentation: GARDENA Technical Documentation Conformity Assessment according to 2000/14/EC Procedure: Art. 14 Annex IV Documentation dpose : Documentation technique GARDENA Procdure d'valuation de la conformit : Selon 2000/14/CE art. 14 Annexe IV</p>
<p>S EU Tillverkarintyg</p> <p>Undertecknad firma Husqvarna AB, 561 82 Huskvarna, Sweden, intyggar hrmed att nedan nmnda produkter overensstmmer med EU:s direktiv, EU:s skerhetsstandard och produktspecifikation. Detta intyg upphr att glla om produkten ndras utan vrt tillstnd.</p>	<p>Schall-Leistungspegel: gemessen / garantiert Noise level: measured / guaranteed Puissance acoustique : mesure / garantie Geluidsniveau: gemeten / gegarandeerd Ljuddniv: uppmtt / garanterad Livello rumorosit: testato / garantito Nivel sonoro: medido / garantizado Nivel de ruido: medido / garantido Lydtrykksniveau: atmlt / garanti 91 dB (A) / 92 dB (A)</p>
<p>I Dichiarazione di conformit alle norme UE</p> <p>La sottoscritta Husqvarna AB, 561 82 Huskvarna, Sweden, certifica che il prodotto qui di seguito indicato, nei modelli da noi commercializzati,  conforme alle direttive armonizzate UE nonch agli standard di sicurezza e agli standard specifici di prodotto. Qualunque modifica apportata al prodotto senza nostra specifica autorizzazione invalida la presente dichiarazione.</p>	<p>Anbringningsjhr der CE-Kennzeichnung: Year of CE marking: Date d'apposition du marquage CE : Installatiedaatar van de CE-aanduiding: 2004 CE-Mrkingsjr: Anno di rilascio della certificazione CE : Colocaco del distintivo CE : Ano de marcao pela CE : CE-Mrkingsjr:</p>
<p>E Declaracin de conformidad de la UE</p> <p>El que suscribe Husqvarna AB, 561 82 Huskvarna, Sweden, declara que la presente mercancia, objeto de la presente declaracin, cumple con todas las normas de la UE, en lo que a normas tcnicas, de homologacin y de seguridad se refiere. En caso de realizar cualquier modificacin en la presente mercancia sin nuestra previa autorizacin, esta declaracin pierde su validez.</p>	<p>Ulm, den 31.03.2010 Ulm, 31.03.2010 Fait  Ulm, le 31.03.2010 Ulm, 31-03-2010 Ulm, 2010.03.31. Ulm, 31.03.2010 Ulm, 31.03.2010 Ulm, 31.03.2010 Ulm, 31.03.2010 Ulm, 31.03.2010</p>
<p>P Certificado de conformidade da UE</p> <p>Os abaixo mencionados Husqvarna AB, 561 82 Huskvarna, Sweden, por este meio certificam que ao sair da fbrica o aparelho abaixo mencionado est de acordo com as diretrizes harmonizadas da UE, padres de segurana e de produtos especficos. Este certificado ficar nulo se a unidade for modificada sem a nossa aprovao.</p>	<p>Der Bevollmchtigte Authorised representative Reprsentant lgal Gemachtigde Behrig Firmatecknare Rappresentante autorizzato Representante autorizado Representante autorizado Teknisk direktr</p> <p> Peter Lameli Vice President</p>
<p>DK EU Overensstemmelse certifikat</p> <p>Undertegnede Husqvarna AB, 561 82 Huskvarna, Sweden bekrfter hermed, at enheder listet herunder, ved afsendelse fra fabrikken, er i overensstemmelse med harmoniserede EU retningslinier, EU sikkerhedsstandarder og produktspecifikationsstandarder. Dette certifikat trder ud af kraft hvis enhederne er ndret uden vor godkendelse.</p>	<p>Ulm, den 31.03.2010 Ulm, 31.03.2010 Fait  Ulm, le 31.03.2010 Ulm, 31-03-2010 Ulm, 2010.03.31. Ulm, 31.03.2010 Ulm, 31.03.2010 Ulm, 31.03.2010 Ulm, 31.03.2010 Ulm, 31.03.2010</p>

Deutschland / Germany

GARDENA GmbH
Central Service
Hans-Lorenser-Straße 40
D-89079 Ulm
Produktfragen:
(+49) 731 490-123
Reparaturen:
(+49) 731 490-290
service@gardena.com

Albania

COBALT Sh.p.k.
Rr. Siri Kodra
1000 Tirana

Argentina

Husqvarna Argentina S.A.
Av.del Libertador 5954 –
Piso 11 – Torre B
(C1428ARP) Buenos Aires
Phone: (+54) 11 5194 5000
info.gardena@
ar.husqvarna.com

Armenia

Garden Land Ltd.
61 Tigran Mets
0005 Yerevan

Australia

Husqvarna Australia Pty. Ltd.
Locked Bag 5
Central Coast BC
NSW 2252
Phone: (+61) (0) 2 4352 7400
customer.service@
husqvarna.com.au

Austria / Österreich

Husqvarna Austria GmbH
Consumer Products
Industriezeile 36
4010 Linz
Tel.: (+43) 732 77 01 01 - 90
consumer.service@
husqvarna.at

Azerbaijan

Firm Progress a.
Aliyev Str. 26A
10522 Baku

Belgium

GARDENA Belgium NV/SA
Sterrebeekstraat 163
1930 Zaventem
Phone: (+32) 2 720 92 12
Mail: info@gardena.be

Bosnia / Hercegovina

SILK TRADE d.o.o.
Industrijska zona Bukva bb
74260 Tešanj

Brazil

Husqvarna do Brasil Ltda
Av. Francisco Matrazzo,
1400 – 19º andar
São Paulo – SP
CEP: 05001-903
Tel: 0800-112252
marketing.br.husqvarna@
husqvarna.com.br

Bulgaria

Хускварна България ЕООД
Бул. „Андрей Липчев“ № 72
1799 София
Tel.: (+359) 02/9753076
www.husqvarna.bg

Canada / USA

GARDENA Canada Ltd.
100 Summerlea Road
Brampton, Ontario L6T 4X3
Phone: (+1) 905 979 9330
info@gardena.canada.com

Chile

Maquinarias Agroforestales
Ltda. (Maga Ltda.)
Santiago, Chile
Avda. Chesterton
8355 comuna Las Condes
Phone: (+56) 2 202 4417
Dalton@magla.cl
Zipcode: 7560330

Temuco, Chile

Avda. Valparaiso # 01466
Phone: (+56) 45 222 126
Zipcode: 4780441

China

Husqvarna (China) Machinery
Manufacturing Co., Ltd.
No. 1355, Jia Xin Rd.
Ma Lu Zhen, Jia Ding Dist.,
Shanghai
201801
Phone: (+86) 21 59159629
Domestic Sales
www.gardena.com.cn

Colombia

Husqvarna Colombia S.A.
Calle 18 No. 68 D-31, zona
Industrial de Montevideo
Bogotá, Cundinamarca
Tel. 571 2922700 ext. 105
jairo.salazar@
husqvarna.com.co

Costa Rica

Europa Exim
EuroIberoamericana S.A.
Los Colegios, Moravia,
200 metros al Sur del Colegio
Saint Francis – San José
Phone: (+506) 297 6883
exim_euro@racsa.co.cr

Croatia

SILK ADRIA d.o.o.
Josipa Lončara 3
10090 Zagreb
Phone: (+385) 1 3794 580
silk.adria@zg-t-com.hr

Cyprus

Med Marketing
17 Digeni Akritas Ave
P.O. Box 27017
1641 Nicosia

Czech Republic

Husqvarna Česko s.r.o.
Türkova 2319/5b
149 00 Praha 4 – Chodov
Bezplatná infolinika:
800 100 425
servis@cz.husqvarna.com

Denmark

GARDENA / Husqvarna
Consumer Outdoor Products
Salgsafdelning Danmark
Box 9003
S-200 39 Malmö
info@gardena.dk

Dominican Republic

BOSQUESA, S.R.L.
Carretera Santiago Licey
Km. 5 ½
Esquina Copal II.
Santiago, Dominican Republic
Phone: (+809) 736-0333
joserbosquesa@claro.net.do

Ecuador

Husqvarna Ecuador S.A.
Arujos E1-181 y 10 de Agosto
Quito, Pichincha
Tel. (+593) 22800739
francisco.jacom@
husqvarna.com.ec

Estonia

Husqvarna Eesti OÜ
Consumer Outdoor Products
Kesk tee 10, Aaviku küla
Rae vald
Harju maakond
75005 Estonia
kontakt.etj@husqvarna.ee

Finland

Oy Husqvarna Ab
Consumer Outdoor Products
Lauttarhankatu 8 B / PL 3
00581 HELSINKI
info@gardena.fi

France

GARDENA France
Immeuble Expositif
9-11 allée des Pierres Mayettes
ZAC des Barbanniers, B.P. 99
F- 92232 GENNEVILLIERS
cedex
Tél. (+33) 01 40 85 30 40
service.consommateurs@
gardena.fr

Georgia

AJD Group
Belashvili 8
1159 Tbilisi

Great Britain

Husqvarna UK Ltd
Preston Road
Aycliffe Industrial Park
Newton Aycliffe
County Durham
DL5 6UP
info.gardena@
husqvarna.co.uk

Greece

HUSQVARNA ΕΛΛΑΣ Α.Ε.Β.Ε.
Υπ. Πλ. Ηφαιστίου 33 Α
Βλ. Πλ. Κορωπίου
194 00 Κορωπί Αττικής
V.A.T. EL094094640
Phone: (+30) 210 6620 225
info@husqvarna-consumer.gr

Hungary

Husqvarna Magyarország Kft.
Ezred u. 1-3
1044 Budapest
Telephone: (+36) 1 251-4161
vevozsolgalat.husqvarna@
husqvarna.hu

Iceland

O. Johnson & Kaaber
Tunguhalsi 1
110 Reykjavik
ooj@oik.is

Ireland

Husqvarna UK Ltd
Preston Road
Aycliffe Industrial Park
Newton Aycliffe
County Durham
DL5 6UP
info.gardena@
husqvarna.co.uk

Italy

Husqvarna Italia S.p.A.
Via Como 72
23868 VALMADRERA (LC)
Phone: (+39) 0341.203.111
info@gardenaitalia.it

Japan

KAUKIUCHI Co. Ltd.
Sumitomo Realty &
Development Kojimachi
BLDG., 8F
5-1 Nibanncyo
Chiyoda-ku
Tokyo 102-0084
Phone: (+81) 33 264 7271
m_ishihara@kaku-ichi.co.jp

Kazakhstan

LAMED Ltd.
155/1, Tazhibayevy Str.
050060 Almaty
IP Schmidt
Abayavenue 3B
110 005 Kostanay

Kyrgyzstan

Alye Maki
av. Molodaya Guardir J 3
720014
Bishkek

Latvia

Husqvarna Latvija
Consumer Outdoor Products
Bakūži iela 6
LV-1024 Rīga
info@husqvarna.lv

Lithuania

UAB Husqvarna Lietuva
Consumer Outdoor Products
Ateities pl. 77C
LT-52104 Kaunas
centras@husqvarna.lt

Luxembourg

Magasins Jules Neuberg
39, rue Jacques Stas
Luxembourg-Gasperich 2549
Case Postale No.12
Luxembourg 2010
Phone: (+352) 40 140 101
api@neuberg.lu

Mexico

AFOSA
A Lopez Mateos Sur # 5019
Col. La Calma 45070
Zapopan, Jalisco
Mexico
Phone: (+52) 33 3818-3434
icornejo@afosa.com.mx

Moldova

Convel S.R.L.
290A Muncestri Str.
2002 Chisinau

Netherlands

GARDENA Nederland B.V.
Postbus 50176
1305 AD ALMERE
Phone: (+31) 36 521 00 00
info@gardena.nl

Neth. Antilles

Jonka Enterprises N.V.
Sta. Rosa Weg 196
P.O. Box 8200
Curaçao
Phone: (+599) 9 767 66 55
pgm@jonka.com

New Zealand

Husqvarna New Zealand Ltd.
PO Box 76-437
Manukau City 2241
Phone: (+64) (0) 9 9202410
support.nz@husqvarna.co.nz

Norway

GARDENA
Husqvarna Consumer
Outdoor Products
Salgskontor Norge
Klevereivn 6
1540 Vestby
info@gardena.no

Peru

Husqvarna Perú S.A.
Jr. Ramón Cárcamo 710
Lima 1
Tel: (+51) 1 3320400 ext. 416
juan_remuigo@
husqvarna.com

Poland

Husqvarna
Poland Spółka z o.o.
ul. Wysockiego 15 b
03-371 Warszawa
Phone: (+48) 22 330 96 00
gardena@husqvarna.com.pl

Portugal

Husqvarna Portugal, SA
Lagoa - Albarraque
2635 - 595 Rio de Mouro
Tel.: (+351) 21 922 85 30
Fax: (+351) 21 922 85 36
info@gardena.pt

Romania

Madex International Srl
Soseaua Odaii 117- 123,
RO 013603
București, S 1
Phone: (+40) 21 352.76.03
madex@mes.ro

Russia

ООО „Хускварна“
141400, Московская обл.,
г. Химки,
улица Ленинградская,
владение 39, стр.6
Бизнес Центр
„Химки Бизнес Парк“,
помещение ОВ02_04

Serbia

Domel d.o.o.
Autoput za Novi Sad bb
11273 Belgrade
Phone: (+381) 11 848 88 12
miroslav.jejina@domel.rs

Singapore

Hy-Ray PRIVATE LIMITED
40 Jalan Pemimpin
02-08 Tat Ann Building
Singapore 577185
Phone: (+65) 6253 2277
shiyang@hyray.com.sg

Slovak Republic

Husqvarna Česko s.r.o.
Türkova 2319/5b
149 00 Praha 4 – Chodov
Bezplatná infolinika:
800 154 044
servis@sk.husqvarna.com

Slovenia

Husqvarna Austria GmbH
Consumer Products
Industriezeile 36
4010 Linz
Tel.: (+43) 732 77 01 01 - 90
consumer.service@
husqvarna.at

South Africa

Husqvarna
South Africa (Pty) Ltd
Postnet Suite 250
Private Bag X6,
Cascades, 3202
South Africa
Phone: (+27) 33 846 9700
info@gardena.co.za

Spain

Husqvarna España S.A.
C/ Basauri, nº 6
La Florida
28023 Madrid
Phone: (+34) 91 708 05 00
atencioncliente@gardena.es

Suriname

Agrofix n.v.
Verlengde Hogestraat #22
Phone: (+597) 472426
agrofix@sr.net
Pobox : 2006
Paramaribo
Suriname – South America

Sweden

Husqvarna AB
S-561 82 Huskvarna
info@gardena.se

Switzerland / Schweiz

Husqvarna Schweiz AG
Consumer Products
Industriestrasse 10
5506 Mägenwil
Phone: (+41) (0) 848 800 464
info@gardena.ch

Turkey

GARDENA Dost Diş Ticaret
Minesilikli A.Ş.
Sanayi Cad. Adil Sokak
No: 1/B /Kartal
34873 Istanbul
Phone: (+90) 216 38 93 939
info@gardena-dost.com.tr

Ukraine / Україна

ТОВ «Хусварна Україна»
вул. Васильківська, 34,
офіс 204-г
03022, Київ
Tel: (+380) 044 498 39 02
info@gardena.ua

Uruguay

FELI SA
Entre Ríos 1083 CP 11800
Montevideo – Uruguay
Tel: (+598) 22 03 18 44
info@felisa.com.uy

Venezuela

Corporación Casa y Jardín C.A.
Av. Caroní, Edif. Trezmen, PB.
Colinas de Bello Monte.
1050 Caracas.
Tlf: (+58) 212 992 33 22
info@casayjardin.net.ve

4028-20.960.05/1012

© GARDENA
Manufacturing GmbH
D-89070 Ulm
http://www.gardena.com