

3000/4 Jet

Art. 1422

4000/4 Jet

Art. 1429

4000/5 Jet

Art. 1432

D **Gebrauchsanweisung**

Gartenpumpe

GB **Operating Instructions**

Garden Pump

F **Mode d'emploi**

Pompe de surface pour arrosage

NL **Gebruiksaanwijzing**

Beregeningspomp

S **Bruksanvisning**

Bevattningspump

I **Istruzioni per l'uso**

Pompa da giardino

E **Manual de instrucciones**

Bomba para jardín

P **Instruções de utilização**

Bomba de Jardim

DK **Brugsanvisning**

Trykpumpe

GARDENA Garden Pump 3000/3 Jet 3000/4 Jet; 4000/4 Jet; 4000/5 Jet

Welcome to the Garden of GARDENA ...



Please read these operating instructions carefully and observe the notes given. Use these operating instructions to familiarise yourself with the Garden Pump, its correct use and the notes on safety.



For safety reasons, children under the age of 16 as well as persons not familiar with these operating instructions should not use this Garden Pump.

→ Please keep these instructions in a safe place.

Contents

1. Where to Use Your GARDENA Garden Pump	9
2. For Your Safety	10
3. Initial Operation	11
4. Operating	11
5. Maintenance	12
6. Trouble-Shooting	12
7. After Operation	14
8. Accessories	14
9. Technical Data	14
10. Service	15

1. Where to Use Your GARDENA Garden Pump

Intended use

The GARDENA Garden Pump is designed for domestic use around the house and garden.

When using the pump for pressure intensification, the max. permissible internal pressure of 6 bar (on the delivery side) must not be exceeded. The increased delivery pressure and the pump pressure have to be added together.

- Example: Pressure at the tap = 1.5 bar, maximum pressure of the Garden Pump 4000/4 Jet = 4.2 bar, total pressure = 5.7 bar.

Liquids that can be pumped

The GARDENA Garden Pump can be used for pumping rainwater, tap water and chlorinated swimming pool water.

Please note



The GARDENA Garden Pump is not suitable for continuous operation (e.g. industrial applications, continuous circulating operation). Corrosive, easily combustible, aggressive or explosive liquids (such as gasoline, petroleum or nitro thinner), saltwater and food must not be pumped. The temperature of the liquid must not exceed 35 °C.

2. For Your Safety



Warning! Electric shock!
Risk of injury due to electric shock.

- Always unplug your Garden Pump before filling, after operation, when troubleshooting and before carrying out any maintenance work.



Hot water – risk of scalding!

If the pump is operated for prolonged periods of time (> 5 min) with the delivery side closed, the water in the pump may heat up so that there is a risk of scalding yourself with hot water.

- The pump should not run against the closed delivery side for more than 5 minutes.
- If liquid fails to flow, switch off the pump immediately.

Location

Caution: Pursuant to DIN VDE 0100-702 and 0100-738 use of the pump nearby swimming pools and garden ponds and other similar places is only permissible if the pump is operated via a residual-current device (FI switch) with a residual current rating of ≤ 30 mA. The pump must be located on solid, even ground, protected from flooding. Take care that the pump cannot fall into water. As an additional safety device an authorised safety switch can be used.

- Please ask your electrician for his advice.

Extension cables

Date indicated on the type plate must match technical data of the mains supply.

Pursuant to DIN VDE 0620, power cable as well as extension cables must not have a smaller diameter than rubber sheathed cables described with letter symbols H07 RNF.

- Don't use the power cable for carrying the pump or for plugging off.

In Austria

In Austria, the electrical connections must be made according to ÖVE-EM 42, T2 (2000)/1979 § 22 based on § 2022. Pursuant to this regulation it's imperative to operate pumps for swimming pools and garden ponds exclusively via an isolating transformer.

- Please ask your electrician.

In Switzerland

In Switzerland mobile appliances which are used outdoors, must be connected via a residual-current device.

Visual check

- Before operating the pump, first make a visual check, if there is any damage of the pump (esp. regarding power cable and plug).

A damaged pump must not be used.

- In case of damage, please have the pump checked by our GARDENA Service Centre or by an authorised electrician.

Note

- Protect the pump from rain. Don't use the pump in wet or moist area

In order to avoid dry-running of the pump, take care that the end of the suction hose is always submerged into the liquid.

- Before each operation, fill the pump to overflowing with approx. 2 to 3 l of the liquid to be pumped!

Sand and other abrasive substances in the liquid cause in-creased wear and reduce the pump's output.

- Use a pump preliminary filter for pumping sandy liquids.

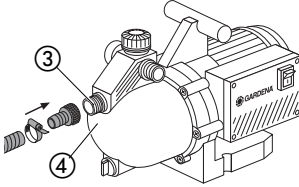
The minimum flow rate is 80 l / h (= 1.3 l / min). Watering accessories with lower rate must not be operated.

3. Initial Operation

Setting up your Garden Pump: The site must be firm and solid in order to ensure safe and sturdy operating conditions for the pump.

➔ Position the pump at a safe distance from the liquid to be pumped.

Connecting hose to suction side:



Don't use any hose connection system fittings on the suction side! A vacuum-resistant suction hose must be used

The connection pieces on the intake and output sides must only be tightened by hand!

• e.g. GARDENA Suction Unit, **art. no. 1411**.

In order to reduce the suction time, it is advisable to use a suction hose with backflow preventer avoiding automatic draining of the suction hose when the pump is stopped.

1. Screw a vacuum-resistant suction hose airtight onto the connector ③ on the suction side of the pump ④.

2. For suction heights exceeding 4 m also secure the suction hose (e.g. by fastening it to a wooden post).

This relieves the pump of the weight of the suction hose.

Both pump connectors ③ are equipped with a 33.3 mm (G1) thread to which 13 mm (1/2"), 19 mm (3/4") and 16 mm (5/8") hoses can be connected by using GARDENA hose connection system fittings. The back pump connector is closed with an end cap. Unscrew the end cap for connecting two hoses.

Best results regarding the delivery capacity of the pump are achieved when connecting 19 mm (3/4") hoses in conjunction with e.g.

• GARDENA Pump Connection Set, **art. no. 1752**,

or when using 25 mm (1") hoses with fittings available from your sanitary dealer.

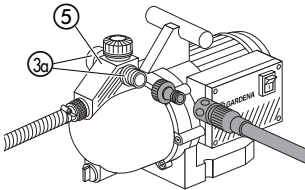
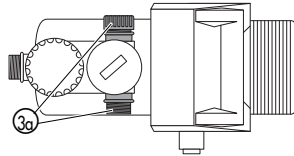
➔ Connect the pressure hose to the connector ③ on the delivery side ⑤.

When connecting simultaneously more than 2 hoses/accessories we recommend application of the

• GARDENA Twin-Tap Connector or Four Channel Water Distributor **art. no. 1210 / 1194**,

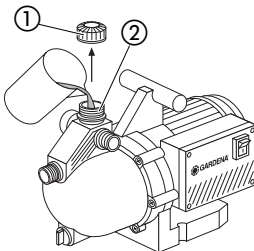
which can be screwed directly onto the delivery side connection ⑤.

Connection hose to delivery side:



4. Operation

Filling the pump:



Warning! Electric shock!

Risk of injury due to electric shock.

➔ **Disconnect from the mains before filling the Garden Pump.**



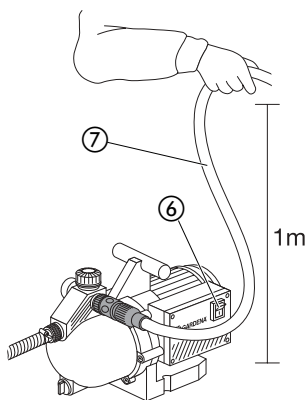
Dry-Running

➔ **Before each operation, fill the pump to overflowing with approx. 2 to 3 l of the liquid to be pumped!**

1. Unscrew the screw fitting ① of the filler cap ② by hand.

2. Fill the pump via the filler cap ② to overflowing with approx. 2 to 3 l of the liquid to be pumped.

3. Tighten the screw fitting ① of the filler cap ② by hand (do not use pliers).



4. Open all possible shut-off devices in the pressure line (watering accessories, Water Stop, etc.).
5. Drain remaining water (7) in pressure hose so that air can escape during the suction process.
6. Set On/Off switch (6) to position „0” position.
7. Plug the pump into a 230 V / 50 Hz alternating current socket.
8. Set On/Off switch (6) to position „1” position.
9. Hold the pressure hose (7) approx. 1 m vertically above the pump until the pump begins to pump.

➔ **If the pump does not deliver liquid after 7 minutes, set the On/Off switch (6) to position „0” (see 6. Trouble-Shooting).**

The specified maximum self-priming height (see **9. Technical Data**) is only achieved if the pump is filled via the filler neck until it overflows and if the suction hose is held as high as possible while filling and during the self-priming procedure so that no liquid can escape from the pump via the suction hose.

5. Maintenance

Cleaning your Garden Pump:

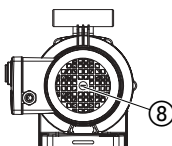
The GARDENA Garden Pump is essentially maintenance-free.

The pump must be cleaned after pumping chlorinated swimming pool water.

1. Rinse the Garden Pump with lukewarm water (max. 35 °C). If necessary add some soft cleaning agent (e.g. washing-up liquid).
2. Remove residuals according to the waste disposal laws applicable in your area.

6. Trouble Shooting

Free the impeller:



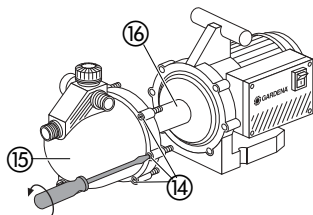
Warning ! Electric shock !
Risk of injury due to electric shock.

➔ **Disconnect Garden Pump from the mains before trouble-shooting**

An impeller blocked by dirt can be freed again.

- ➔ Turn the impeller bolt (8) using a screwdriver.
This will free the blocked impeller.

Cleaning the pump thoroughly:

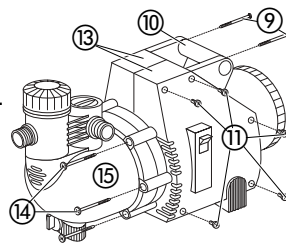


1. For art.1429/1432: Unscrew 2 screws (9), remove handle (10), unscrew 10 screws (11) and remove the side components (13).

2. Unscrew the 6 housing screws (14), remove housing cover (15) and clean the impeller chamber.

3. Tighten the impeller bolt (8) using a screwdriver.

4. Loosen the impeller (16) using a ring spanner, remove and clean.
5. Install the impeller (16) in the reverse order.



Problem	Probable cause	Remedy
Pump runs, but the suction action doesn't take place.	The pump was not filled with the liquid to be pumped.	→ Fill the pump (see "4. Operation").
	The liquid escapes over the hose which is connected to the delivery side during the suction action.	1. Fill the pump again (see "4. Operation"). 2. When starting operation hold the pressure hose approx. 1 m vertically above the pump, until the suction action has taken place.
	Leaky or damaged suction hose.	→ Seal the connections or check suction hose for damages.
	Absolutely vacuum-resistant connection is achieved by using GARDENA Suction Hoses (see point 8. Accessories).	
	Leaky screw fitting ① at the filler cap ②.	→ Tighten the screw fitting (do not use pliers).
	Air cannot escape, since delivery side is closed or remaining water is in the pressure hose.	→ Open all possible shut-off devices (e.g. spray nozzle) in the pressure line, or drain the pressure hose or disconnect it during the suction action.
	The waiting time wasn't observed.	→ Switch on the pump and wait max. 7 min.
	Suction filter or backflow preventer in the suction hose clogged.	→ Clean the filter or the back flow preventer.
Too high suction height.	→ Reduce suction height.	
In case of any other difficulties concerning the suction action, use GARDENA Suction Hoses with Backflow Preventer (see point 8. Accessories) and fill in the liquid to be pumped over the filler cap ② before operation.		
Pump motor runs, but delivery capacity or pressure suddenly decreases.	Suction filter at the suction hose is sucked free.	→ Reduce flow rate on the delivery side with a control valve, e.g. GARDENA art. no. (2)977.
	Suction filter or backflow preventer clogged.	→ Clean filter or back-flow preventer.
	Leaks at suction side.	→ Eliminate leak.
	Impeller blocked.	→ Loosen the impeller or clean the impeller chamber.
Pump motor doesn't start or suddenly stops.	No power.	→ Check fuses and electric connections.
	Thermal overload switch has cut out the pump due to overheating/overloading.	→ Ensure sufficient cooling / ventilation and clean the impeller chamber.
	Electric failure.	→ Send the pump to one of our GARDENA Service Centres.

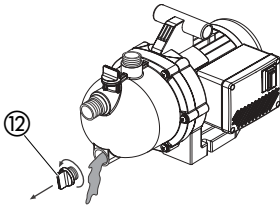
If you have any other problem with your Garden Pump, please contact our Customer Service.

7. After Operation

Wintering/Storage:

You should empty your Garden Pump before the first frost sets in.

1. Open the water drain screw ⑫.
The Garden Pump drains.
2. Store your Garden Pump so that it is protected from frost.



8. Accessories

GARDENA Suction Hoses	Kink- and vacuum-resistant, sold by the metre with 19 mm (3/4") or 25 mm (1") diameter without fittings or in fixed length, complete with fittings.	
GARDENA Suction Hose Fittings		• Art. no. 1723/1724
GARDENA Suction Filter	To equip suction hoses with Backflow Preventer sold by the metre.	• Art. no. 1726/1727/1728
GARDENA Pump Preliminary Filter	Recommended for pumping sandy liquids.	• Art. no. 1731
GARDENA Electronic Manometric Switch	Automatically cuts in and out the pump depending on the current operating pressure. With dry-running safety.	• Art. no. 1739
GARDENA Dry-Running Safety	Prevents the pump from damages in case of missing liquid.	• Art. no. 1741
GARDENA Bore Hole Suction Hose	For vacuum-resistant connection of the pump to boreholes or pipe networks. Length 0.5 m. With 33.3 mm (G1) female thread at both ends.	• Art. no. 1729

9. Technical Data

	3000/4 Jet (Art. 1422)	4000/4 Jet (Art. 1429)	4000/5 Jet (Art. 1432)
Rated power	600 W	800 W	1,000 W
Max. delivery capacity	3,000 l/h	3,600 l/h	4,000 l/h
Max. pressure	3.5 bar	4.2 bar	4.9 bar
Max. delivery head	35 m	42 m	49 m
Max. self-priming suction height	9 m	9 m	9 m
Perm. internal pressure (delivery side)	6 bar	6 bar	6 bar
Voltage / Frequency	230 V AC / 50 Hz	230 V AC / 50 Hz	230 V AC / 50 Hz
Weight	6.1 kg	9.5 kg	10.3 kg
Noise level $L_{WA}^{1)}$	71 dB (A)	73 dB (A)	76 dB (A)

¹⁾ Measuring method according to Directive RL 2000/14/EC

10. Service

Warranty

GARDENA guarantees this product for 2 years (from date of purchase).

This guarantee covers all serious defects of the unit that can be proved to be material or manufacturing faults. Under warranty we will either replace the unit or repair it free of charge if the following conditions apply:

- The unit must have been handled properly and in keeping with the requirements of the operating instructions.
- Neither the purchaser or a non-authorised third party have attempted to repair the unit.

The impeller is a wearing part and is not covered by the warranty.

This manufacturer's guarantee does not affect the user's existing warranty claims against the dealer/seller.

If a fault occurs with your Garden Pump, please return the faulty unit together with a copy of the receipt and a description of the fault, with postage paid to one of the GARDENA Service Centres listed on the back of these operating instructions.

D <i>Produkthaftung</i>	<p>Wir weisen ausdrücklich darauf hin, dass wir nach dem Produkthaftungsgesetz nicht für durch unsere Geräte hervorgerufene Schäden einzustehen haben, sofern diese durch unsachgemäße Reparatur verursacht oder bei einem Teileaustausch nicht unsere originale GARDENA Teile oder von uns freigegebene Teile verwendet wurden und die Reparatur nicht vom GARDENA Service oder dem autorisierten Fachmann durchgeführt wird. Entsprechendes gilt für Ergänzungssteile und Zubehör.</p>
GB <i>Product Liability</i>	<p>We expressly point out that, in accordance with the product liability law, we are not liable for any damage caused by our units if it is due to improper repair or if parts exchanged are not original GARDENA parts or parts approved by us, and, if the repairs were not carried out by a GARDENA Service Centre or an authorised specialist. The same applies to spare parts and accessories.</p>
F <i>Responsabilité</i>	<p>Nous vous signalons expressément que GARDENA n'est pas responsable des dommages causés par ses appareils, dans la mesure où ces dommages seraient causés suite à une réparation non conforme, dans la mesure où, lors d'un échange de pièces, les pièces d'origine GARDENA n'auraient pas été utilisées, ou si la réparation n'a pas été effectuée par le Service Après-Vente GARDENA ou l'un des Centres SAV agréés GARDENA. Ceci est également valable pour tout ajout de pièces et d'accessoires autres que ceux préconisés par GARDENA.</p>
NL <i>Productaansprakelijkheid</i>	<p>Wij wijzen er nadrukkelijk op, dat wij op grond van de wet aansprakelijkheid voor producten niet aansprakelijk zijn voor schade ontstaan door onze apparaten, indien deze door onvakkundige reparatie veroorzaakt zijn, of er bij het uitwisselen van onderdelen geen gebruik gemaakt werd van onze originele GARDENA onderdelen of door ons vrijgegeven onderdelen en de reparatie niet door de GARDENA technische dienst of de bevoegde vakman uitgevoerd werd. Ditzelfde geldt voor extra-onderdelen en accessoires.</p>
S <i>Produktansvar</i>	<p>Tillverkaren är inte ansvarig för skada som orsakats av produkten om skadan beror på att produkten har reparerats felaktigt eller om, vid reparation eller utbyte, andra än Original GARDENA reservdelar har använts. Samma sak gäller för kompletteringsdelar och tillbehör.</p>
I <i>Responsabilità del prodotto</i>	<p>Si rende espressamente noto che, conformemente alla legislazione sulla responsabilità del prodotto, non si risponde di danni causati da nostri articoli se originati da riparazioni eseguite non correttamente o da sostituzioni di parti effettuate con materiale non originale GARDENA o comunque da noi non approvato e, in ogni caso, qualora l'intervento non venga eseguito da un centro assistenza GARDENA o da personale specializzato autorizzato. Lo stesso vale per le parti complementari e gli accessori.</p>
E <i>Responsabilidad de productos</i>	<p>Advertimos que conforme a la ley de responsabilidad de productos no nos responsabilizamos de daños causados por nuestros aparatos, siempre y cuando dichos daños hayan sido originados por arreglos o reparaciones indebidas, por recambios con piezas que no sean piezas originales GARDENA o bien piezas no autorizadas por nosotros, así como en aquellos casos en que la reparación no haya sido efectuada por un Servicio Técnico GARDENA o por un técnico autorizado. Lo mismo es aplicable para las piezas complementarias y accesorios.</p>
P <i>Responsabilidade sobre o produto</i>	<p>Queremos salientar que segundo a lei da responsabilidade do fabricante, nós não nos responsabilizaremos por danos causados pelo nosso equipamento, quando estes ocorrerem em decorrência de reparações inadequadas ou da substituição de peças por peças não originais da GARDENA, ou peças não autorizadas. A responsabilidade tornar-se-à nula também depois de reparações realizadas por oficinas não autorizadas pela GARDENA. Esta restrição valerá também para peças adicionais e acessórios.</p>
DK <i>Produktansvar</i>	<p>Vi gør udtrykkeligt opmærksom på at i henhold til produktansvarsloven er vi ikke ansvarlige for skader forårsaget af vores udstyr, hvis det er på grund af uautoriserede reparationer eller hvis dele er skiftet ud og der ikke er anvendt originale GARDENA dele eller dele godkendt af os, eller hvis reparationerne ikke er udført af GARDENA-service eller en autoriseret fagmand. Det samme gælder for ekstra udstyr og tilbehør.</p>

<p>D EU-Konformitätserklärung Maschinenverordnung (9. GSGVO) / EMVG / Niedersp. RL Der Unterzeichnete GARDENA Manufacturing GmbH · Hans-Lorenser-Straße 40 · D-89079 Ulm bestätigt, dass die nachfolgend bezeichneten Geräte in der von uns in Verkehr gebrachten Ausführung die Anforderungen der harmonisierten EU-Richtlinien, EU-Sicherheitsstandards und produktspezifischen Standards erfüllen. Bei einer nicht mit uns abgestimmten Änderung der Geräte verliert diese Erklärung ihre Gültigkeit.</p>	Bezeichnung des Gerätes: Gartenpumpe Description of the unit: Garden pump Désignation du matériel : Pompe de surface pour arrosage Omschrijving van het apparaat: Elektrische pomp Produktbeskrivning: Betvattningspump Descriptione del prodotto: Pompa da giardino Descripción de la mercancía: Bomba para jardín Descrição do aparelho: Bomba de Jardim Beskrivelse af enhederne: Trykpumpe
<p>GB EU Certificate of Conformity The undersigned GARDENA Manufacturing GmbH · Hans-Lorenser-Str. 40 · D-89079 Ulm hereby certifies that, when leaving our factory, the units indicated below are in accordance with the harmonised EU guidelines, EU standards of safety and product specific standards. This certificate becomes void if the units are modified without our approval.</p>	Typ: Art.-Nr.: Type: Art. No.: Type : Référence : Typ: 3000/4 Jet Art. nr.: 1422 Type: 4000/4 Jet Art. nr.: 1429 Modello: 4000/5 Jet Art. N°: 1432 Tipo: 4000/5 Jet Art. N°: Type: Varenr.:
<p>F Certificat de conformité aux directives européennes Le constructeur, soussigné : GARDENA Manufacturing GmbH · Hans-Lorenser-Str. 40 · D-89079 Ulm déclare qu'à la sortie de ses usines le matériel neuf désigné ci-dessous était conforme aux prescriptions des directives européennes énoncées ci-après et conforme aux règles de sécurité et autres règles qui lui sont applicables dans le cadre de l'Union européenne. Toute modification portée sur ce produit sans l'accord express de GARDENA supprime la validité de ce certificat.</p>	EU-Richtlinien: 98/37/EG EU directives: 89/336/EG Directives européennes : EU-richtlijnen: 73/23/EG EU direktiv: Directive UE: 93/68/EG Normative UE: Directrices da UE: EU Retningslinier: 2000/14/EG
<p>NL EU-overeenstemmingsverklaring Ondergetekende GARDENA Manufacturing GmbH · Hans-Lorenser-Str. 40 · D-89079 Ulm bevestigt, dat de volgende genoemde apparaten in de door ons in de handel gebrachte uitvoering voldoen aan de eis van, en in overeenstemming zijn met de EU-richtlijnen, de EU-veiligheidsstandaard en de voor het product specifieke standaard. Bij een niet met ons afgestemde verandering aan de apparaten verliest deze verklaring haar geldigheid.</p>	Schall-Leistungspegel: gemessen / garantiert Noise level: measured / guaranteed Puissance acoustique : mesurée / garantie Geluidsniveau: gemeten / gegarandeerd Ljudhivá: uppmätt / garanterad Livello rumorosità: testato / garantito Nível sonoro: medido / garantizado Nível de ruído: medido / garantido Lydtryksniveau: afmålt / garanti
<p>S EU Tillverkarintyg Undertecknad firma GARDENA Manufacturing GmbH · Hans-Lorenser-Straße 40 · D-89079 Ulm intygar härmed att nedan nämnda produkter överensstämmer med EU:s direktiv, EU:s säkerhetsstandard och produktspecifikation. Detta intyg upphör att gälla om produkten ändras utan vårt tillstånd.</p>	
<p>I Dichiarazione di conformità alle norme UE La sottoscritta GARDENA Manufacturing GmbH · Hans-Lorenser-Str. 40 · D-89079 Ulm certifica che il prodotto qui di seguito indicato, nei modelli da noi commercializzati, è conforme alle direttive armonizzate UE nonché agli standard di sicurezza e agli standard specifici di prodotto. Qualunque modifica apportata al prodotto senza nostra specifica autorizzazione invalida la presente dichiarazione.</p>	3000/4 Jet 71 dB (A) / 72 dB (A) 4000/4 Jet 73 dB (A) / 75 dB (A) 4000/5 Jet 76 dB (A) / 79 dB (A)
<p>E Declaración de conformidad de la UE El que suscribe GARDENA Manufacturing GmbH · Hans-Lorenser-Str. 40 · D-89079 Ulm declara que la presente mercancía, objeto de la presente declaración, cumple con todas las normas de la UE, en lo que a normas técnicas, de homologación y de seguridad se refiere. En caso de realizar cualquier modificación en la presente mercancía sin nuestra previa autorización, esta declaración pierde su validez.</p>	Anbringningsår der CE-Kennzeichnung: Year of CE marking: Date d'apposition du marquage CE : Installatiejaar van de CE-aanduiding: CE-Märkningsår: 2000 Anno di rilascio della certificazione CE: Colocación del distintivo CE: Ano de marcação pela CE: CE-Mærkningsår:
<p>P Certificado de conformidade da UE Os abaixo mencionados GARDENA Manufacturing GmbH · Hans-Lorenser-Str. 40 · D-89079 Ulm Por este meio certificam que ao sair da fábrica os aparelhos abaixo mencionados estão de acordo com as diretivas harmonizadas da UE, padrões de segurança e de produtos específicos. Este certificado ficará nulo se as unidades forem modificadas sem a nossa aprovação.</p>	 Thomas Heint Ulm, den 11.06.2002 Ulm, 11.06.2002 Fait à Ulm, le 11.06.2002 Ulm, 11-06-2002 Ulm, 2002.06.11 Ulm, 11.06.2002 Ulm, 11.06.2002 Ulm, 11.06.2002 Ulm, 11.06.2002
<p>DK EU Overensstemmelse certifikat Undertegnede GARDENA Manufacturing GmbH · Hans-Lorenser-Str. 40 · D-89079 Ulm bekræfter hermed, at enheder listet herunder, ved afsendelse fra fabrikken, er i overensstemmelse med harmoniserede EU retningslinier, EU sikkerheds standarder og produkt specifikations standarder. Dette certifikat træder ud af kraft hvis enhederne er ændret uden vor godkendelse.</p>	Technische Leitung Technical Dept. Manager Direction technique Hoofd technische dienst Technical Director Direzione Tecnica Dirección Técnica Director Técnico Teknisk direktør

Pumpen-Kennlinie:

Performance characteristics

Courbes de performance

Prestatiegrafiek

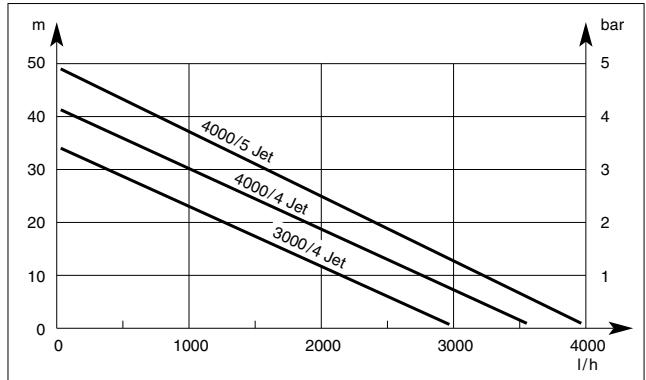
Kapacitetskurva

Curva di rendimento

Curva característica de la bomba

Características de performance

Ydelses karakteristika



- D** Die Leistungsdaten der Pumpenkennlinie sind gemessen bei einer Saughöhe von 0,5 m und unter Verwendung eines 25 mm (1")-Saugschlauchs.
- GB** Technical data of the above performance characteristics is measured at a suction height of 0.5 m using a 25 mm (1") suction hose.
- F** Les performances ont été déterminées avec une hauteur d'aspiration de 0,5 m et en utilisant un tuyau d'aspiration de Æ int. 25 mm.
- NL** De capaciteitsgegevens in de grafiek zijn gemeten bij een aanzuighoogte van 0,5 m en bij gebruik van een 25 mm (1")-aanzuigslang.
- S** Värdena ovan är utmätta på en sughöjd av 0,5 m med 25 mm (1") sugslang.
- I** Le prestazioni indicate nella curva di rendimento presuppongono un'altezza di aspirazione pari a 0,5 m e l'impiego di un tubo da 25 mm (1").
- E** Los datos de rendimiento de la curva característica de la bomba se han medido con una altura de succión de 0,5 m y con una manguera de succión de 25 mm (1").
- P** A informação técnica com as características de performance acima descritas foram medidas com uma altura de sucção de 0,5 m, com uma mangueira de sucção de 25 mm (1").
- DK** Tekniske data for de ovennævnte ydelses karakteristika er målt ved en sugehøjde på 0,5 m og en sugeslange på 25 mm (1").

Bild Nr. Picture No.	Ersatzteil-Nr. Spare Part No.	Bezeichnung	Description
Art.-Nr.1422		Gartenpumpe 3000/4 Jet	Garden Pump 3000/4 Jet
1	1426-00.900.02	Verschluss-Schraube, rot	Locking screw, red
2	1426-00.900.01	O-Ring	O-Ring
3	1422-00.900.01	Schraube 6x45	Screw 6x45
4	1422-00.900.02	Scheibe	Disc
5	1481-00.900.25	O-Ring 21,82x3,53	O-Ring 21,82x3,53
6+5	7860-00.600.01	Verschlusskappe 1", schwarz	Sealing cap 1", black
7	1422-00.900.03	Schraubkappe 1", rot	Screw cap 1", red
8	1422-00.900.04	Pumpendeckel	Pump cap
9	1422-00.900.05	O-Ring	O-Ring
10	1422-00.900.06	Jetdüse	Jet nozzle
11	1422-00.900.07	Spiralgehäuse	Spiral case
12	1422-00.900.08	Turbine 110	Turbine 110
13	1426-00.900.10	Gleitringdichtung	Axial face seal
14	1422-00.900.09	O-Ring 130x4	O-Ring 130x4
15	1426-00.900.11	Gegenring, kpl.	Opposite ring, cpl.
16	1422-00.900.10	Griffteil	Handle part
17	1426-00.900.15	Gummischeibe	Rubber washer
18	1422-00.900.11	Imbusschraube 5x35	Screw 5x35
19		Elektromotor, kpl.	Electric motor, cpl.
20	1422-00.900.12	Lüfter	Ventilator
21	1422-00.900.13	Lüfterabdeckung	Ventilator covering
22	1481-00.900.32	Gummiformdichtung	Rubber from washer
23	1422-00.900.14	Schaltergehäuse, schwarz	Switch cover, black
24	1426-00.900.17	Scheibe	Disc
25	1426-00.900.22	Schraube M5x13	Screw M5x13
26	2180-00.600.43	Klemmscheibe A4-F	Disc A4-F
27	1433-00.900.29	Schraube M4x10	Screw M4x10
28	1422-00.900.15	# Kondensator	Capacitor
29	1428-00.900.04	Kondensatorhalter	Capacitor support
30	1422-00.900.16	Kabeldurchführung	Cable bushing
31	1422-00.900.17	Sicherungsmutter	Lock nut
32	1426-00.900.33	# Netzkabel	Mains lead
33	1428-00.900.07	Kabelzugentlastung	Cable pull relief
34	1426-00.900.26	Schraube 5x20	Screw 5x20
35	1422-00.900.18	Schaltergehäuse-Abdeckung	Switch covering
36	1449-00.900.15	O-Ring	O-Ring
37	1426-00.900.23	# Schalter, kpl.	Switch, cpl.
38		Typschild	Typ plate
	1731-00.901.00	Adapter 1"-1"	Adapter 1"-1"
	1739-00.650.00	Adapter f. E.-Druckschalter	Adapter f. el. Mano.switsch

Achtung! Die mit " # " gekennzeichneten Ersatzteile dürfen ausschließlich von einer Elektrofachkraft nach Vorgabe des Herstellers unter Berücksichtigung der gesetzlichen Vorschriften ersetzt werden.

Warning! Those with " # " of marked spare parts may be replaced exclusively from an electrical specialist to default of the manufacturer with consideration of the laws.

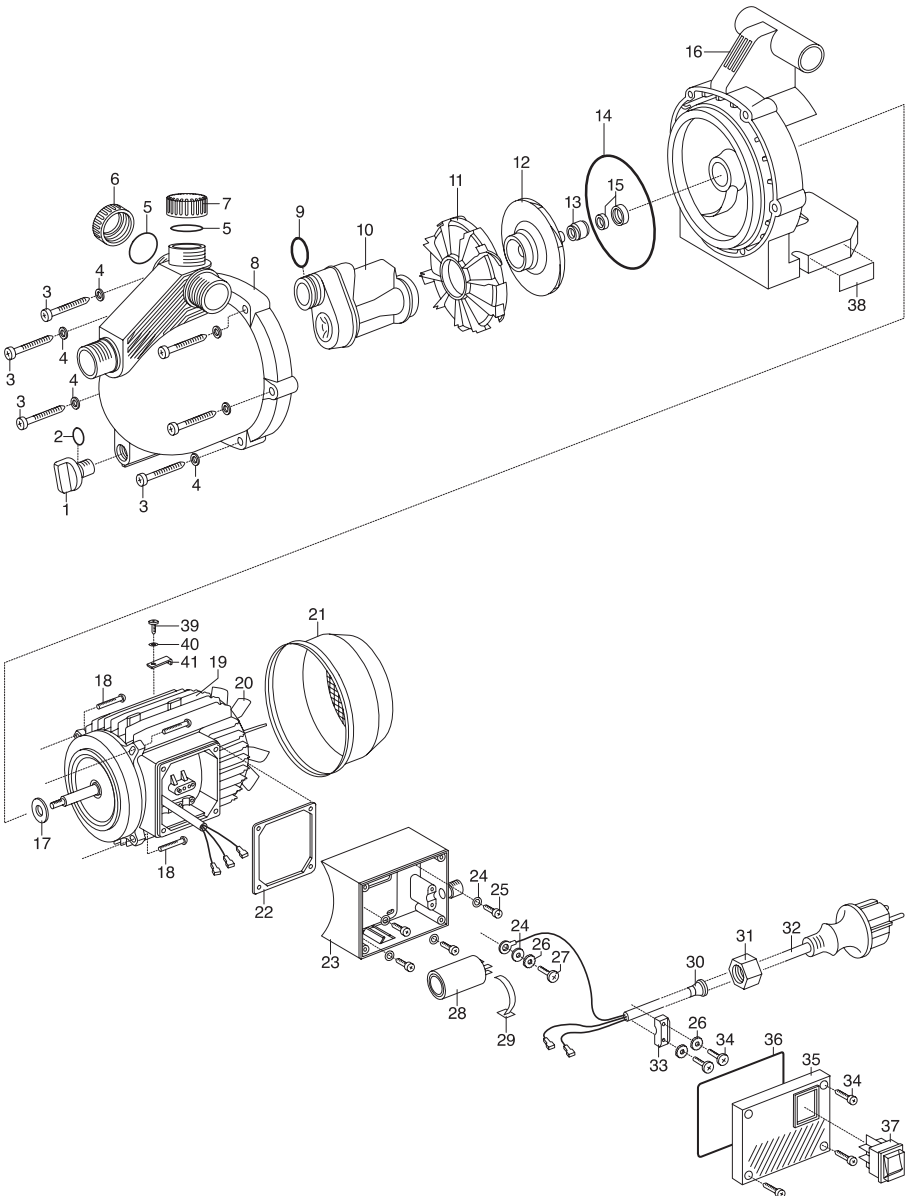
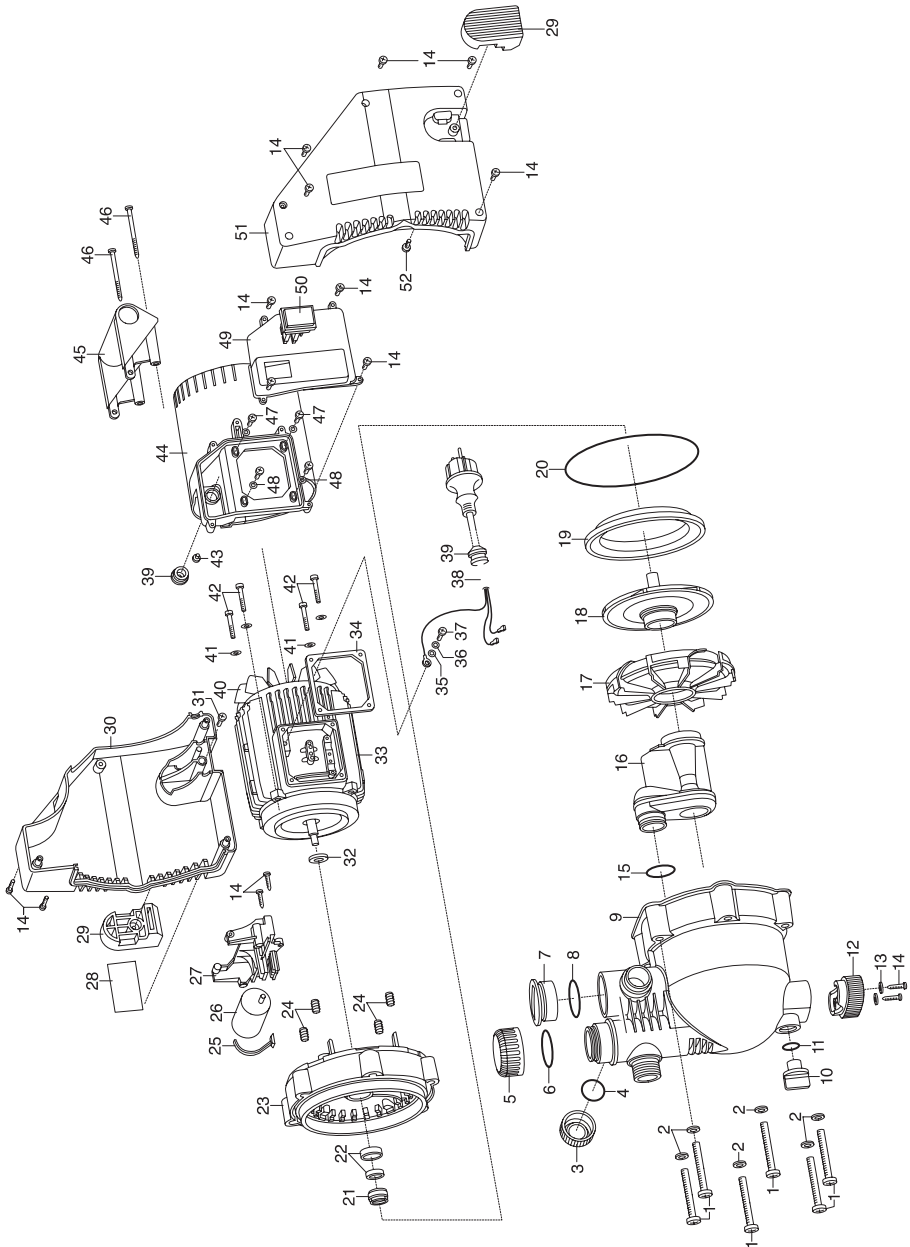


Bild Nr. Picture No.	Ersatzteil-Nr. Spare Part No.	Bezeichnung	Description
Art.-Nr.1429		Gartenpumpe 4000/4 Jet	Garden Pump 4000/4 Jet
1	1426-00.900.03	Schraube M8x65	Screw M8x65
2	1426-00.900.04	Scheibe M8	Disc M8
3+4	7860-00.600.01	Verschlusskappe 1", schwarz	Sealing cap 1", black
5	1429-00.900.01	Schraubkappe 1 1/2", rot	Screw cap 1 1/2", red
6	1469-00.900.04	O-Ring	O-Ring
7	1429-00.900.02	Schraubdeckel 1 1/2", schwarz	Screw cap 1 1/2", black
8	1429-00.900.03	O-Ring 40,86x3,53	O-Ring 40, 86x3,53
9	1429-00.900.04	Pumpendeckel	Pump cap
10	1426-00.900.02	Verschlusssschraube, rot	Locking screw, red
11	1426-00.900.01	O-Ring	O-Ring
12	1481-00.900.01	Puffer vorne, schwarz	Buffer, black
13	1487-00.900.07	Scheibe Inox	Disc Inox
14	1426-00.900.26	Schraube 5x20	Screw 5x20
15	1743-00.900.02	O-Ring 1"	O-Ring 1"
16	1428-00.900.01	Jetdüse	Jet nozzle
17	1426-00.900.08	Spiralgehäuse	Spiral case
18	1429-00.900.05	Turbine 110	Turbine 110
19	1481-00.900.37	Flanschring, schwarz	Flange ring, black
20	1426-00.900.12	O-Ring	O-Ring
21	1426-00.900.10	Gleitringdichtung	Axial face seal
22	1426-00.900.11	Gegenring, kpl.	Opposite ring, cpl.
23	1429-00.900.06	Motorflansch	Motor flange
24	1429-00.900.07	Buchse M5	Bush M5
25	1428-00.900.04	Kondensatorhalter	Capacitor support
26	1429-00.900.08	# Kondensator 12,5	Capacitor 12,5
27	1429-00.900.09	Halterung, schwarz	Fixing device, black
28		Typschild	Typ plate
29	1481-00.900.27	Puffer hinten, schwarz	Buffer back, black
30	1429-00.900.10	Motorgehäuse, rechts, rot	Motor case, right, red
31	1481-00.900.29	Schraube PH-4,2x19	Screw PH-4,2x19
32	1426-00.900.15	Gummischeibe	Rubber washer
33		# Elektromotor	Electric Motor
34	1481-00.900.32	Gummiformdichtung	Rubber form washer
35	1426-00.900.17	Scheibe	Disc
36	2180-00.600.43	Klemmscheibe A4-F	Clamping disc A4-F
37	1433-00.900.29	Schraube M4x10	Screw M4x10
38	1429-00.900.11	# Netzkabel	Mains lead
40	1481-00.900.33	Lüfter	Ventilator
41	370-00.000.10	Tellerfeder	Disk spring
42	1481-00.900.34	Schraube M5x30	Screw M5x30
43	1422-00.900.19	Schraube 4,8x13	Screw 4,8x13
44	1429-00.900.12	Motorgehäuse	Motor case
45	1429-00.900.13	Griffteil	Handle part
46	1469-00.900.12	Schraube 4,7x65	Screw 4,7x65
47	1426-00.900.22	Schraube M5x13	Screw M5x13
48	1426-00.900.17	Scheibe	Disc
49	1429-00.900.14	Schaltergehäuse, schwarz	Switch cover, black
50	1426-00.900.23	Schalter, kpl.	Switch, cpl.
51	1429-00.900.15	Motorgehäuse, links, rot	Motor case, left, red
	1731-00.901.00	Adapter 1"-1"	Adapter 1"-1"
	1739-00.650.00	Adapter f. E-Druckschalter	Adapter f. el. Mano.switsh
Art.-Nr.1432		Gartenpumpe 4000/5 Jet	Garden Pump 4000/5 Jet
16	1432-00.900.01	Jetdüse	Jet nozzle
18	1431-00.900.01	Turbine 120	Turbine 120
26	1432-00.900.02	# Kondensator 16	Capacitor 16
30	1432-00.900.03	Motorgehäuse, rechts, schwarz	Motor case, right, black
49	1432-00.900.04	Schaltergehäuse, schwarz	Switch cover, black
51	1432-00.900.05	Motorgehäuse, links, schwarz	Motor case, left, black
		Alle anderen Teile wie bei Art.1429	All other spare parts see art.1429

Achtung!! Die mit " # " gekennzeichneten Ersatzteile dürfen ausschließlich von einer Elektrofachkraft nach Vorgabe des Herstellers unter Berücksichtigung der gesetzlichen Vorschriften ersetzt werden.

Warning! Those with " # " of marked spare parts may be replaced exclusively from an electrical specialist to default of the manufacturer with consideration of the laws.



Deutschland

GARDENA Kress + Kastner GmbH
GARDENA Service
Hans-Lorenser-Straße 40
D-89079 Ulm
Produktfragen: (0731) 490-123
Reparaturen: (0731) 490-290

Argentina

Argensem S.A.
Venezuela 1075
(1618) El Talar - Buenos Aires

Australia

NYLEX Corporation Ltd.
25-29 Nepean Highway
P.O. Box 68
Mentone, Victoria 3194

Austria

GARDENA Österreich Ges. m.b.H.
Stettnerweg 11-15
2100 Korneuburg

Belgium

MARKT (Belgium) NV/SA
Sterrebeekstraat 163
1930 Zaventem

Brazil

M. Cassab
Av. das Nações Unidas, 20.882
Santo Amaro, CEP 04795-000
São Paulo - S.P.

Bulgaria / България

ДЕНЕКс ООД
Бул. "Г.М.Димитров" 16 ет.4
София 1797

Canada

GARDENA Canada Ltd.
100, Summerlea Road
Brampton, Ontario
Canada L6T 4X3

Chile

Antonio Martinic Y CIA. LTDA.
Gilberto Fuenzalida 185 Loc.
Las Condes - Santiago de Chile

Costa Rica

Compania Exim
Euroiberoamericana S.A.
350 Sur del Automercado
Los Yoses
San Pedro

Cyprus

FARMOKIPIKI LTD
P.O. Box 7098
74, Digeni Akrita Ave.
1641 Nicosia

Czech Republic

GARDENA spol. s.r.o.
Řípská 20a, č.p. 1153
62700 Brno

Denmark

GARDENA Danmark A/S
Naverland 8
2600 Glostrup

Finland

Habitec Oy
Martinkyläntie 52
01720 Vantaa

France

GARDENA France
Service Après-Vente
BP 50080
95948 ROISSY CDG Cedex

Great Britain

GARDENA UK Ltd.
27-28 Brenkley Way
Blezard Business Park
Seaton Burn
Newcastle upon Tyne NE13 6DS

Greece

Agrokip G. Psoadopoulos & Co.
20, Lykourgou str.
Kallithea - Athens

Hungary

GARDENA Magyarország Kft.
Késmárk utca 22
1158 Budapest

Iceland

Heimilistaeki hf
Saetun 8
P.O. Box 5340
125 Reykjavik

Republic of Ireland

Michael McLoughlin & Sons
Hardware Limited
Long Mile Road
Dublin 12

Italy

GARDENA Italia S.p.A.
Via Donizetti 22
20020 Lainate (MI)

Japan

KAKUDAI Mfg. Co. Ltd.
1-4-4, Itachibori Nishi-ku
Osaka 550

Luxembourg

Magasins Jules Neuberg
Grand Rue 30
Case Postale No. 12
Luxembourg 2010

Netherlands

GARDENA Nederland B.V.
Postbus 50176
1305 AD ALMERE
Neth. Antilles
Jonka Enterprises N.V.
Sta. Rosa Weg 196
P.O. Box 8200
Curaçao

New Zealand

NYLEX New Zealand Limited
Private Bag 94001
South Auckland Mail Centre
10 Offenhauser Drive
East Tamaki, Manukau

Norway

GARDENA Norge A/S
Postboks 214
2013 Skjetten

Poland

GARDENA Polska Sp. z o.o.
Szymanów 9d
05-532 Baniocza

Portugal

MARKT (Portugal), Lda.
Recta da Granja do Marquês
Edif. GARDENA
Algueirão
2725-596 Mem Martins

Russia / Россия

АО АМИДА ТТЦ
ул. Мосфильмовская 66
117330 Москва

Singapore

Variware
Holland Road Shopping Centre
227-A 1st Fl., Unit 29
Holland Avenue
Singapore 1027

Slovenia / Croatia

Silk d.o.o. Trgovina
Brodšiče 15
1236 Trzin

South Africa

GARDENA South Africa (Pty.) Ltd.
P.O. Box 11534
Vorna Valley 1686

Spain

ANMI Andreu y Miriam S.A.
Calle Pere IV, 111
08018 Barcelona

Sweden

GARDENA Svenska AB
Box 9003
20039 Malmö

Switzerland

GARDENA Kress + Kastner AG
Bitzberg 1
8184 Bachenbülach

Ukraine / Украина

АОЗТ АЛЬЦЕСТ
ул. Гайдара 50
г. Киев 01033

Turkey

Dost Diş Ticaret Mümessilik A.Ş.
Yeşilbağlar Mah. Başkent
Cad. No. 26
Pendik - İstanbul

USA

GARDENA
3085 Shawnee Drive
Winchester, VA 22604

1422-20.960.06/0031
© GARDENA Manufacturing GmbH
D-89070 Ulm
<http://www.gardena.com>